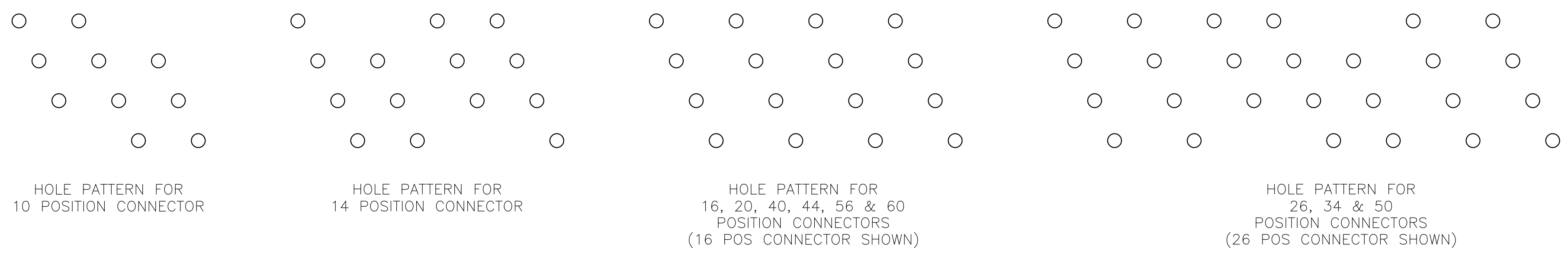
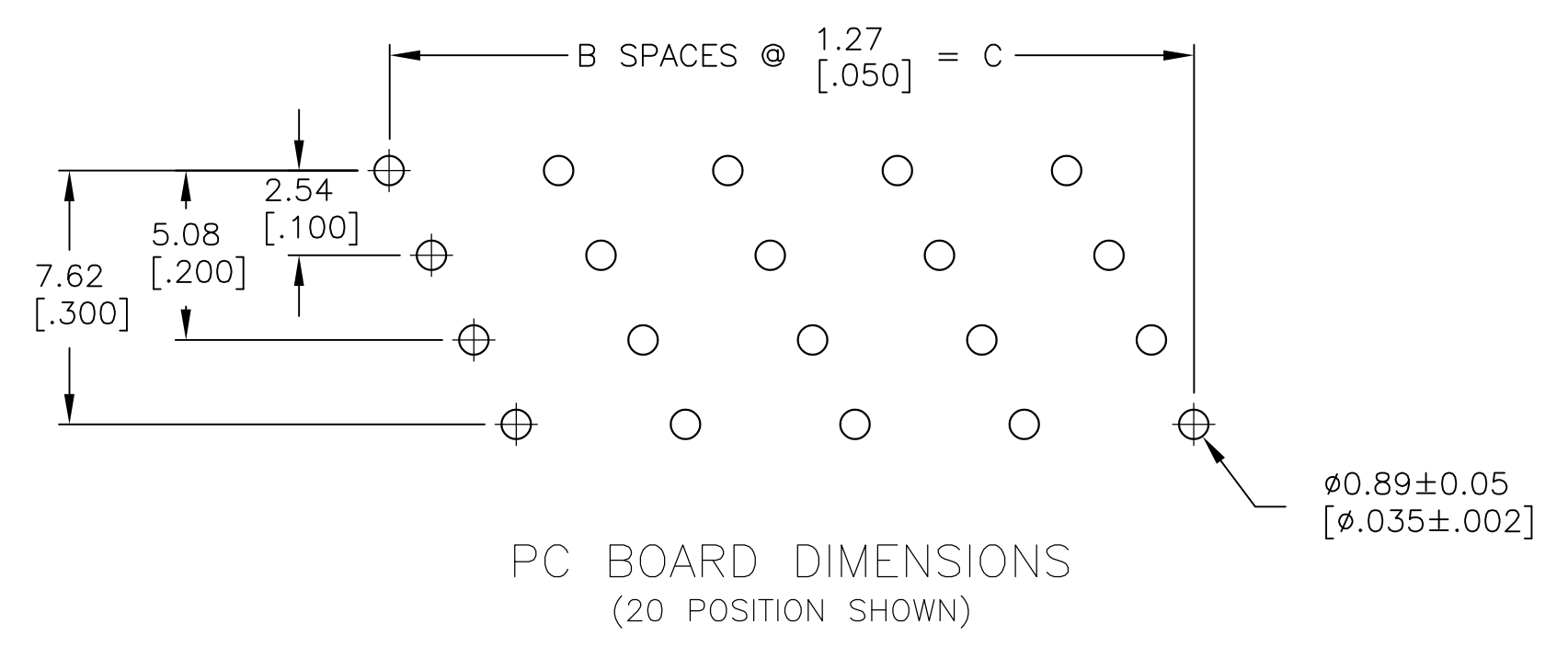
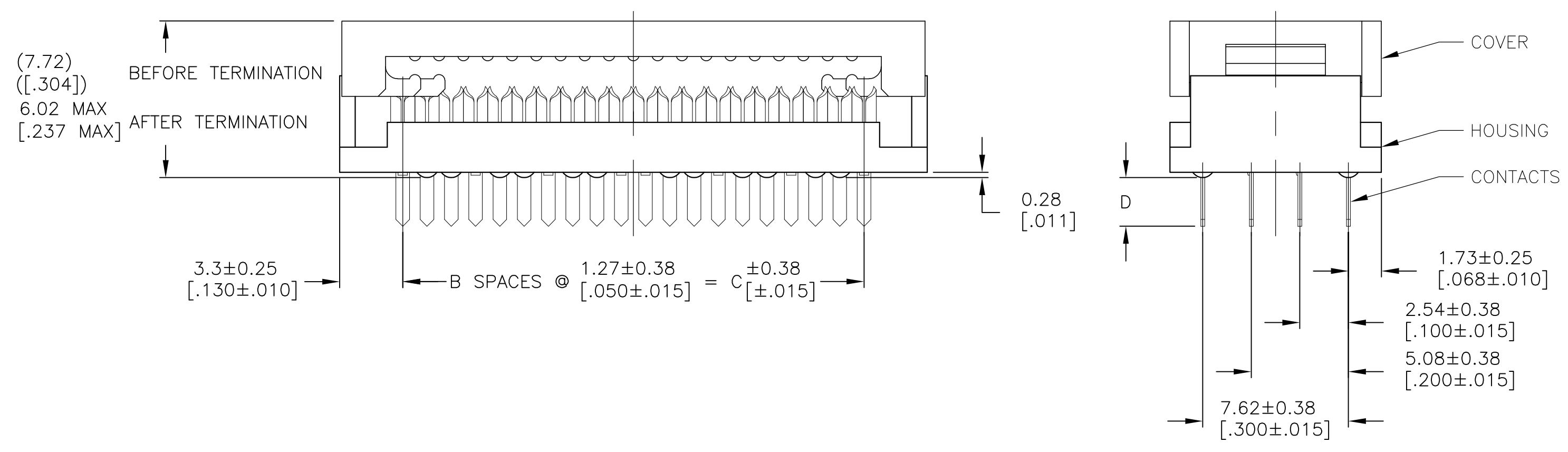
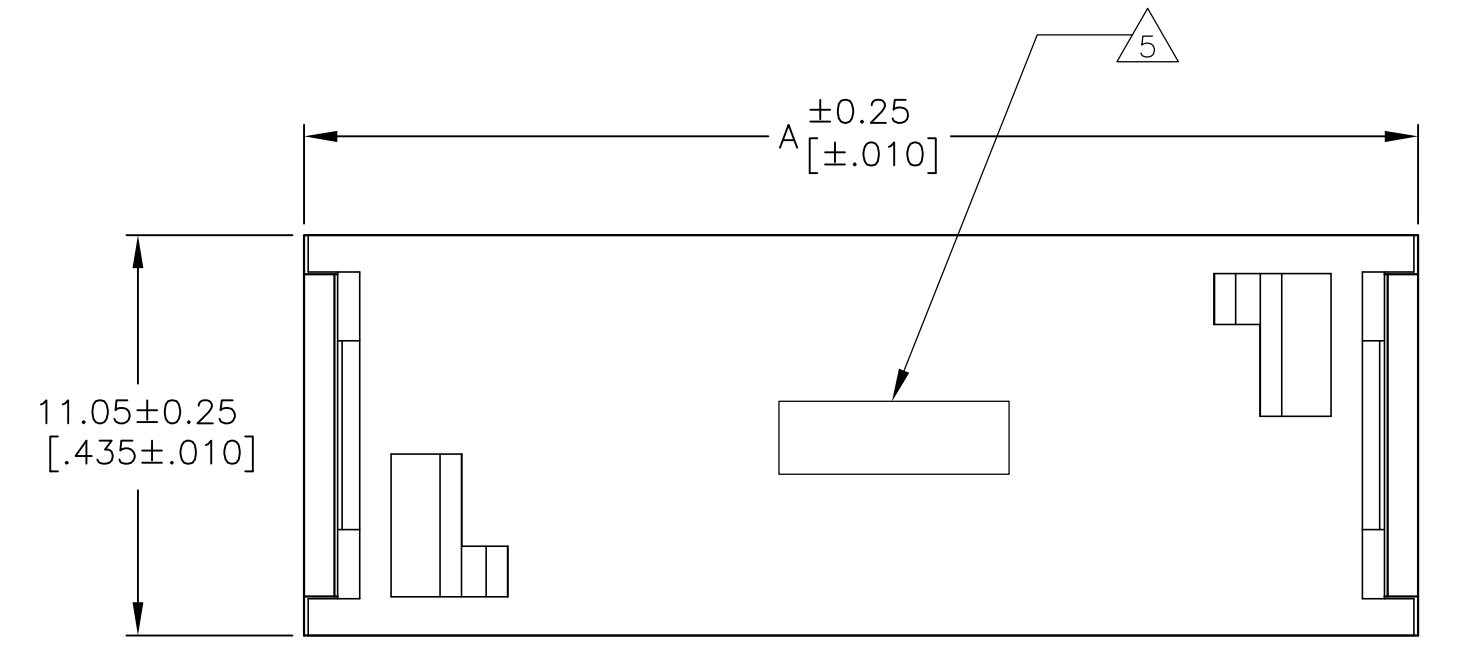


ELECTRICAL PROPERTIES	
CURRENT RATING	1 AMP
INSULATION RESISTANCE	>1 x 10 ⁹ OHMS @ 500 VDC
DWV	>500 VRMS AT SEA LEVEL
ENVIRONMENTAL PROPERTIES	
TEMPERATURE RATING	-55°C TO 125°C

- 1 20 POSITION ASSEMBLY SHOWN.
- 2 HOUSING AND COVER: GLASS REINFORCED POLYESTER, UL94V-0 RATED, COLOR BLUE. CONTACTS: BERYLLIUM COPPER.
- 3 CONTACTS: 0.00254[.000100] MIN TIN-LEAD OVER 0.00127[.000050] MIN NICKEL.
- 4 OBSOLETE PARTS: OBSOLETE CIS STREAMLINING PER D.RENAUD/D.SINISI
- 5 COMPANY LOGO IN APPROXIMATE AREA SHOWN.



	OBSOLETE	2.54 .100	74.93 [2.950]	59	81.53 [3.210]	60	609-6003	3-1437006-6
	SUPERSEDED BY 3-6437006-2	3.96 [.156]	62.23 [2.450]	49	68.83 [2.710]	50	609-5043	3-1437006-2
	OBSOLETE	2.54 .100	62.23 [2.450]	49	68.83 [2.710]	50	609-5003	3-1437006-1
	SUPERSEDED BY 2-6437006-9	2.54 .100	54.61 [2.150]	43	61.21 [2.410]	44	609-4403	2-1437006-9
	OBSOLETE	3.96 [.156]	49.53 [1.950]	39	56.13 [2.210]	40	609-4043	2-1437006-7
	OBSOLETE	2.54 [.100]	49.53 [1.950]	39	56.13 [2.210]	40	609-4003	2-1437006-6
	SUPERSEDED BY 2-6437006-3	3.96 [.156]	41.91 [1.650]	33	48.51 [1.910]	34	609-3443	2-1437006-3
	SUPERSEDED BY 2-6437006-2	2.54 [.100]	41.91 [1.650]	33	48.51 [1.910]	34	609-3403	2-1437006-2
	SUPERSEDED BY 2-6437006-0	3.96 [.156]	31.75 [1.250]	25	38.35 [1.510]	26	609-2643	2-1437006-0
		2.54 [.100]	31.75 [1.250]	25	38.35 [1.510]	26	609-2603	1-1437006-8
	SUPERSEDED BY 1-6437006-5	3.96 [.156]	24.13 [.950]	19	30.73 [1.210]	20	609-2043	1-1437006-5
	SUPERSEDED BY 1-6437006-4	2.54 [.100]	24.13 [.950]	19	30.73 [1.210]	20	609-2003	1-1437006-4
	OBSOLETE	3.96 [.156]	19.05 [.750]	15	25.65 [1.010]	16	609-1643	1-1437006-2
	SUPERSEDED BY 1-6437006-1	2.54 [.100]	19.05 [.750]	15	25.65 [1.010]	16	609-1603	1-1437006-1
	SUPERSEDED BY 0-6437006-9	3.96 [.156]	16.51 [.650]	13	23.11 [.910]	14	609-1443	1-1437006-9
	SUPERSEDED BY 0-6437006-8	2.54 [.100]	16.51 [.650]	13	23.11 [.910]	14	609-1403	1437006-8
	OBSOLETE	3.96 [.156]	11.43 [.450]	9	18.03 [.710]	10	609-1043	1437006-6
	SUPERSEDED BY 0-6437006-5	2.54 [.100]	11.43 [.450]	9	18.03 [.710]	10	609-1003	1437006-5

THIS DRAWING IS A CONTROLLED DOCUMENT.

DIMENSIONS: mm(INCHES)	TOLERANCES UNLESS OTHERWISE SPECIFIED:	DWN: J. GERACE	DRK: C. ROHDE	APVD: M. WALMSLEY	NAME: PCB TRANSITION CONNECTOR ASSY
0 PLC ± .005	1 PLC ± .005	2 PLC ± .010	3 PLC ± .013	4 PLC ± .015	ANGLES ± .005
MATERIAL: 2	FINISH: 3	SIZE: A1	CAGE CODE: 00779	DRAWING NO: 1437006-5	RESTRICTED TO: C
CUSTOMER DRAWING			SCALE: 5:1	SHEET: 1 OF 1	REV: C

Tyco Electronics Corporation
Harrisburg, PA 17105-3608