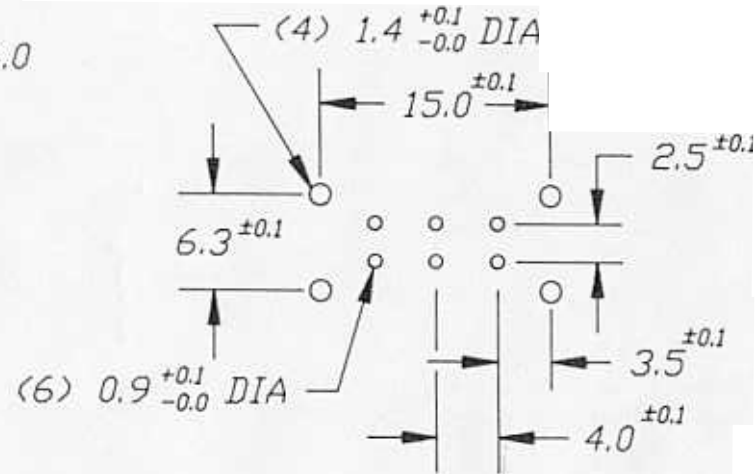
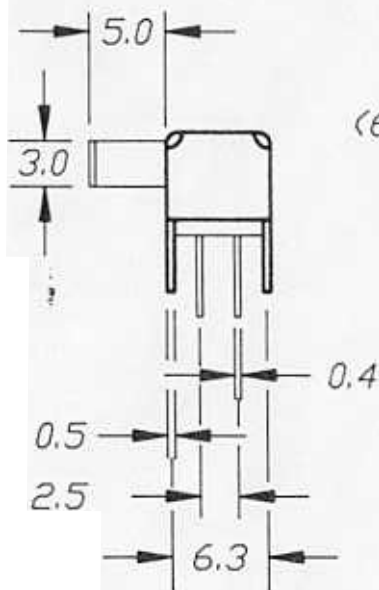
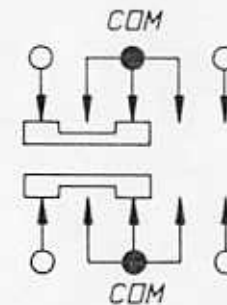


KNOB DETAIL  
SCALE 4:1



P.C.B. MOUNTING HOLES



CONTACT CONFIGURATION

NOTES:

- 1 ALL DIMENSIONS IN MM
2. TERM. NOS. FOR REF ONLY

TOLERANCES	±0.3	±0.3	±0.3
0	0.0	0.00	

**E-SWITCH**

TITLE

EG 2228

REV.	DESCRIPTION	DATE	CHKD
------	-------------	------	------

SCALE

2:1

DATE

6/1/94

DR

MS

DWG

P122280

THE INFORMATION CONTAINED IN THIS DOCUMENT IS PROPRIETARY TO E-SWITCH AND IS NOT TO BE COPIED OR TRANSFERRED