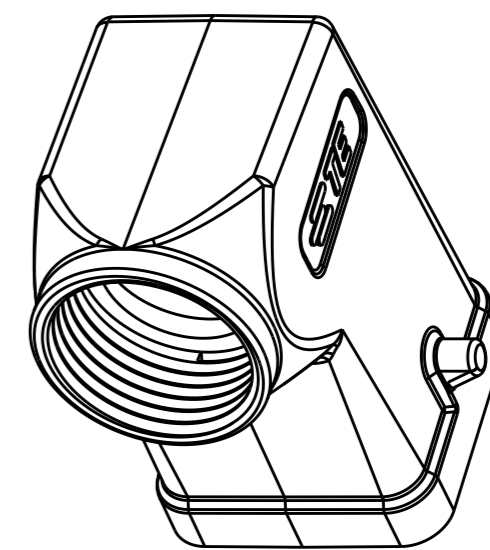
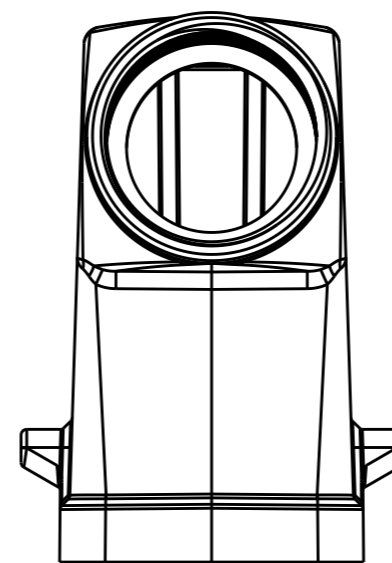
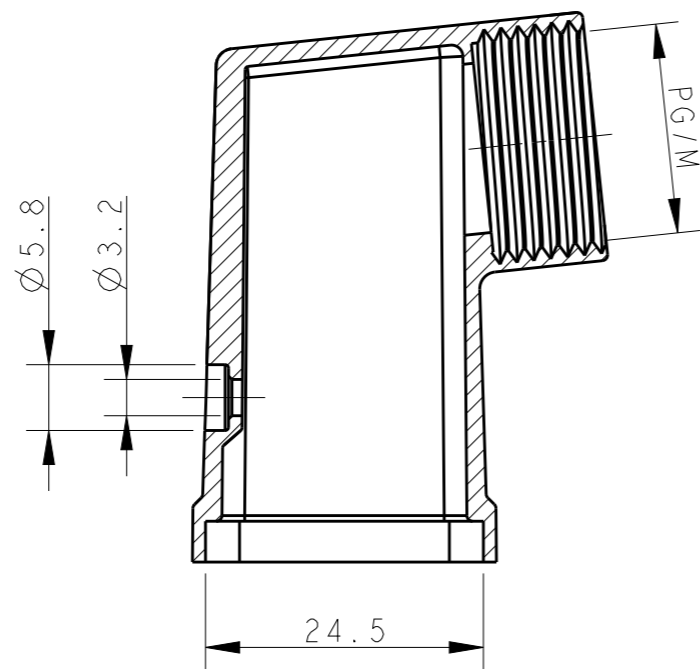
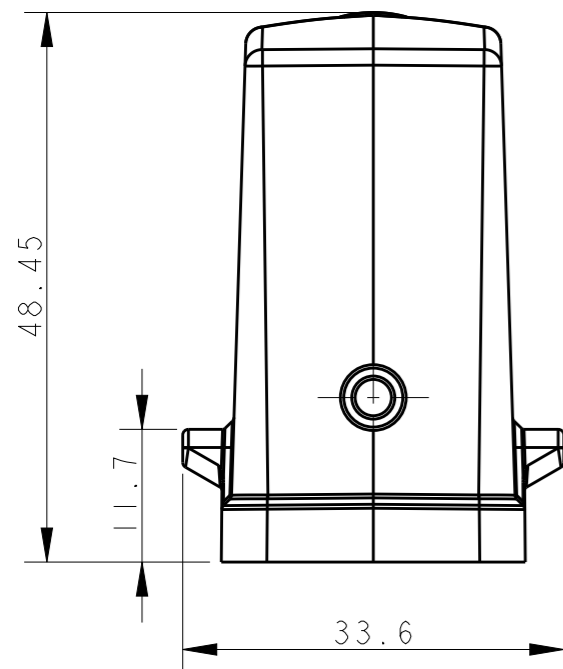


THIS DRAWING IS UNPUBLISHED. RELEASED FOR PUBLICATION 20
 © COPYRIGHT 20 BY - ALL RIGHTS RESERVED.

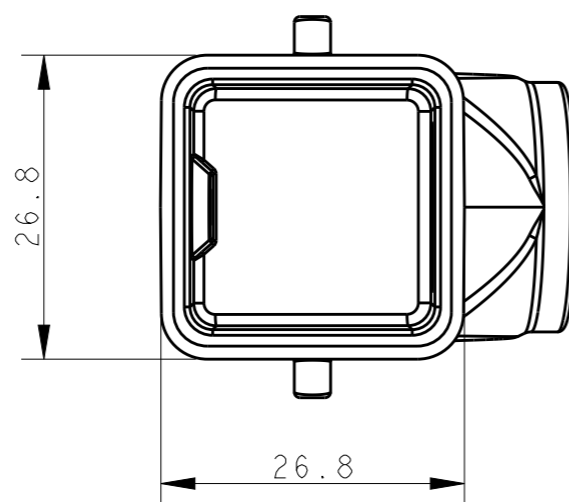
REVISIONS

P	LTR	DESCRIPTION	DATE	DWN	APVD
	A	INITIAL RELEASE	21APR2015	DL	CW



NOTES:
 1. TECHNICAL CHARACTERISTICS:
 BODY: PC
 OPERATION TEMPERATURE: -40-+125°C
 DEGREE OF PROTECTION: IP65 (MATED)

注释:
 1. 技术参数:
 主体材料: PC
 工作温度: -40-+125°C
 防护等级: IP65(配合)



T1319031111-000	H3A-TS-PG11	PG11
T1319031120-000	H3A-TS-M20	M20
ASSEMBLY PART NUMBER	ASSEMBLY PART DESCRIPTION	PG/M

THIS DRAWING IS A CONTROLLED DOCUMENT.		DWN 21APR2015 DAVID LI	STE TE Connectivity			
DIMENSIONS: mm		CHK 21APR2015 CHRIS WANG				
TOLERANCES UNLESS OTHERWISE SPECIFIED:		APVD 21APR2015 XU XIANG	NAME H3A-TS-PG/M			
0 PLC ±-		PRODUCT SPEC 108-137134	SIZE CAGE CODE DRAWING NO RESTRICTED TO			
1 PLC ±-		APPLICATION SPEC 114-137134	A3	-	©-T13190311XX000	-
2 PLC ±-		WEIGHT -	SCALE 3:2		SHEET 1 OF 1	REV A
3 PLC ±-		CUSTOMER DRAWING				
4 PLC ±-						
ANGLES ±-						
FINISH						
MATERIAL						