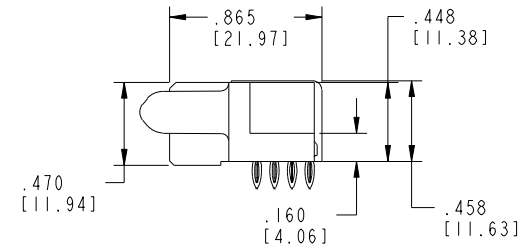
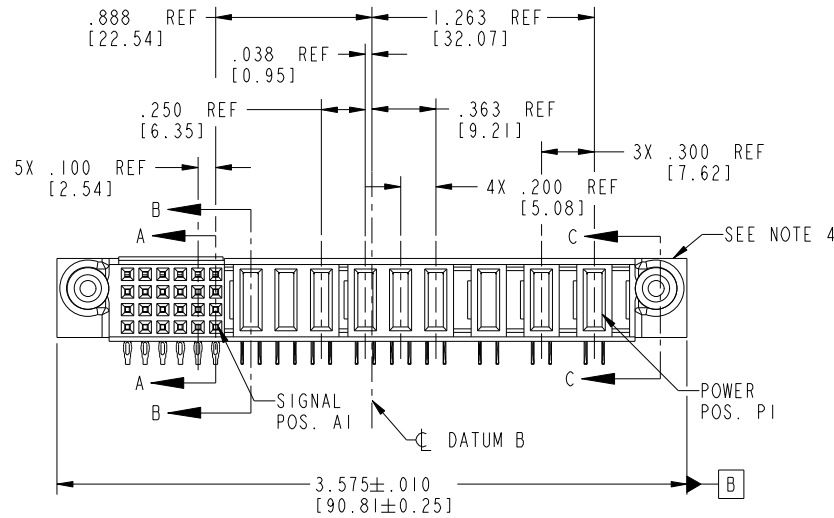
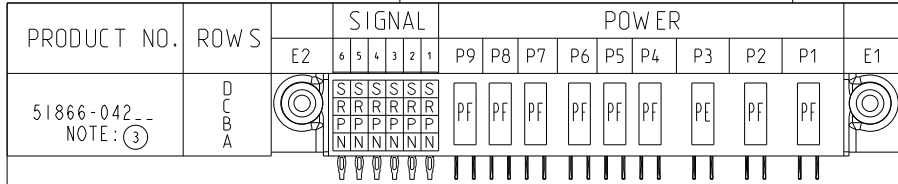


Tous droits strictement réservés. Reproduction ou communication à des tiers interdite sous quelque forme que ce soit sans autorisation écrite du propriétaire. Propriété de c.FCI. Droits de reproduction FCI.



All rights strictly reserved. Reproduction or issue to third parties in any form whatever is not permitted without written authority from the proprietor. Property of FCI. Copyright FCI.



CODE	DIM "M" MATING LENGTH	CONTACT TYPE
PF	.092 [2.34]	POWER
S	N/A [N/A]	SIGNAL
R	N/A [N/A]	SIGNAL
P	N/A [N/A]	SIGNAL
N	N/A [N/A]	SIGNAL
PE	.042 [1.07]	POWER

mat'l code SEE NOTE 2				tolerances unless otherwise specified		CUSTOMER	
ltr	ecn no.	dr	date	linear	.XX±.01/0.X±0.3	COPY	
A	DG06-0087	JMG	03/02/06	angles	.XXX±.005/0.XXX±0.13	projection	
					.XXX±.0020/0.XXX±0.051		
				dr	0°±2°		
				enr	JM GUO 03/02/06	title	
				chr	SLUO 03/02/06	9P + 24S	
				appd	BEER FU 03/02/06	R/A PRESS-FIT RECEPTACLE	
					JOSEPH HSIA 03/02/06	product family	
						PwrBlade	
sheet index	revision sheet	A	A	A	A	size	code
1	2	3	4			dwg no	213
						51866-042	sheet
							1 of 4

scale		1:1	
cage code		22526	

Pro/E

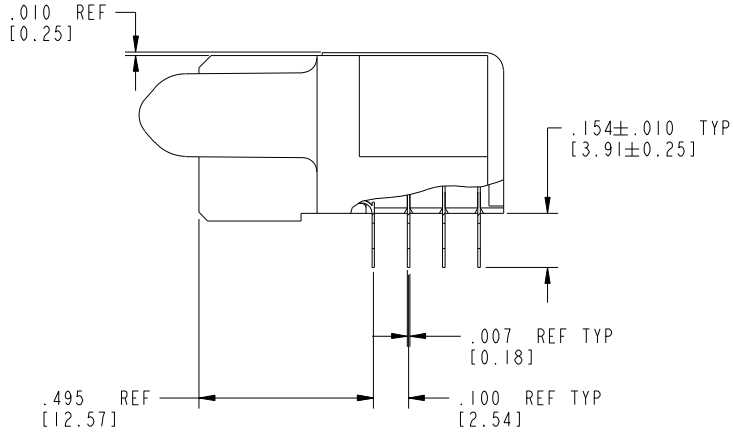
cage code 22526

Tous droits strictement réservés. Reproduction ou communication à des tiers interdite sous quelque forme que ce soit sans autorisation écrite du propriétaire. Propriété de c.FCI. Droits de reproduction FCI.

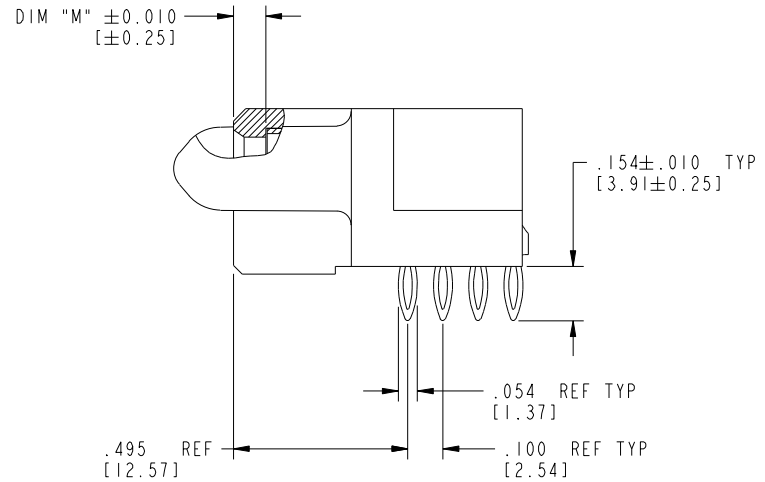


All rights strictly reserved. Reproduction or issue to third parties in any form whatever is not permitted without written authority from the proprietor. Property of FCI. Copyright FCI.

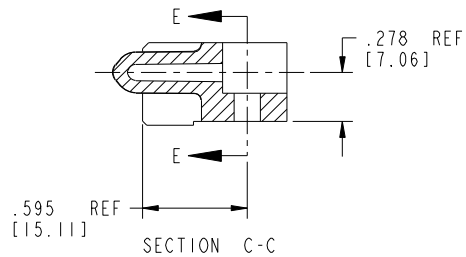
PRODUCT NUMBER  
51866-042--  
NOTE: ③



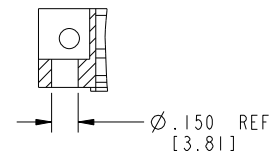
BROKEN-OUT SECTION A-A  
SCALE 2:1



BROKEN-OUT SECTION B-B  
SCALE 2:1



SECTION C-C



PARTIAL SECTION E-E

mal'1 code		SEE NOTE 2		tolerances unless otherwise specified		CUSTOMER		FCI		www.fciconnect.com	
litr	ecr no.	dr	date	linear	.XX±.01/0.X±0.3	COPY				title	
A					.XXX±.005/0.XX±0.13	projection				9P + 24S	
				angles	.XXX±.0020/0.XXX±0.051			R/A PRESS-FIT RECEPTACLE		product family	
				dr	JM GUO 03/02/06	scale		PwrBlade		code	
				enr	SLUO 03/02/06	1:1		size		213	
				chr	BEER FU 03/02/06			dwg no		sheet	
				appd	JOSEPH HSIA 03/02/06			51866-042		2 of 4	
sheet index		revision sheet									

cage code 22526

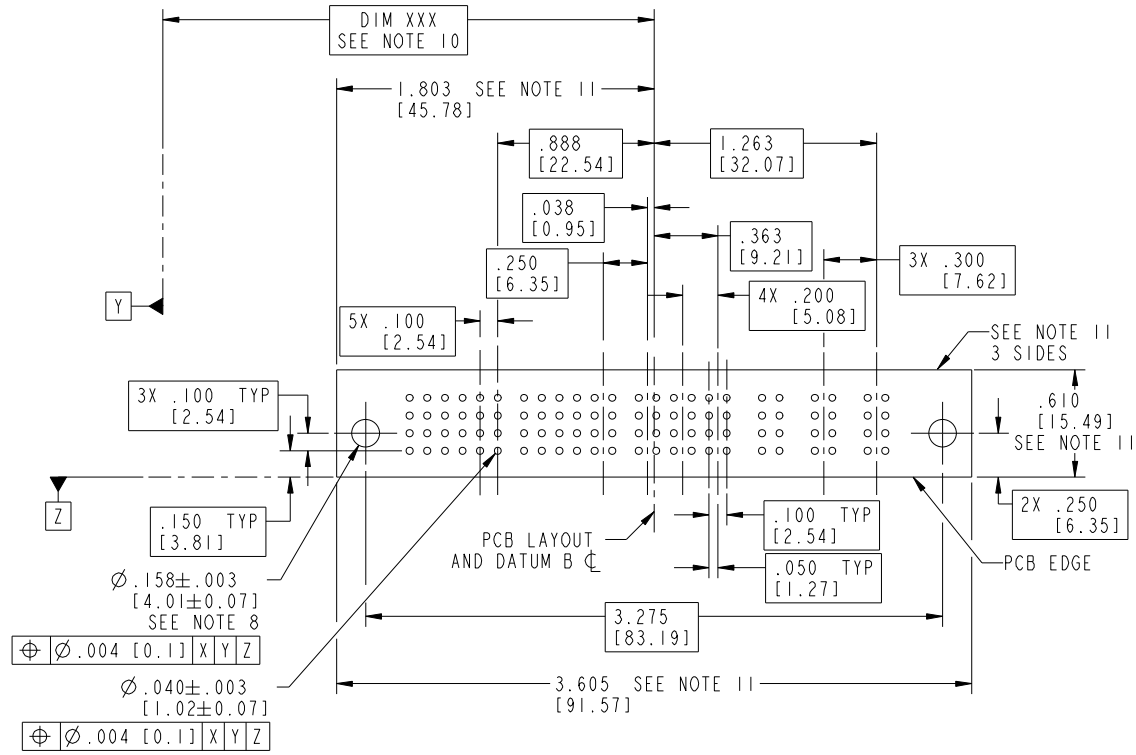
Pro/E

Tous droits strictement réservés. Reproduction ou communication à des tiers interdite sous quelque forme que ce soit sans autorisation écrite du propriétaire. Propriété de c.FCI. Droits de reproduction FCI.



All rights strictly reserved. Reproduction or issue to third parties in any form whatever is not permitted without written authority from the proprietor. Property of FCI. Copyright FCI.

PRODUCT NUMBER  
51866-042--  
NOTE: ③



$\varnothing .158 \pm .003$   
 [4.01 ± 0.07]  
 SEE NOTE 8  
 $\varnothing .004$  [0.1] X|Y|Z  
 $\varnothing .040 \pm .003$   
 [1.02 ± 0.07]  
 $\varnothing .004$  [0.1] X|Y|Z

mat'l code				SEE NOTE 2		tolerances unless otherwise specified		CUSTOMER		FCI	
ltr	ecn no.	dr	date	linear	.XX±.01/0.X±0.3	COPY		www.fciconnect.com		title	
A					.XXX±.005/0.XX±0.13	projection		9P + 24S		R/A PRESS-FIT RECEPTACLE	
				angles	.XXX±.0020/0.XXX±0.051			product family		code	
				dr	JM GUO 03/02/06	scale		PwrBlade		213	
				enr	SLUO 03/02/06	1:1		size		sheet	
				chr	BEER FU 03/02/06			dwg no		3 of 4	
				appd	JOSEPH HSIA 03/02/06			51866-042			
sheet index	revision sheet										

cage code 22526

Pro/E

Tous droits strictement reserves. Reproduction ou communication a des tiers interdite sous quelque forme que ce soit sans autorisation écrite du propriétaire. Propriete de c FCI. Droits de reproduction FCI.



All rights strictly reserved. Reproduction or issue to third parties in any form whatever is not permitted without written authority from the proprietor. Property of FCI. Copyright FCI.

PRODUCT NUMBER  
51866-042--  
NOTE: ③

NOTES:

1. DIMENSIONS AND TOLERANCES ARE IN ACCORDANCE WITH ASME Y14.5M, 1994 UNLESS OTHERWISE SPECIFIED.

CONNECTOR NOTES:

- 2. HOUSING MATERIAL: UL 94 V-0 GLASS FILLED HIGH-TEMP THERMOPLASTIC  
POWER CONTACT MATERIAL: COPPER ALLOY  
SIGNAL PIN MATERIAL: COPPER ALLOY
- 3. 51866-042;51866-042LF;51866-042GLF PLATING SPEC. SEE PRINT:10064183
- 4. MANUFACTURER'S NAME, P/N, AND DATE CODE TO APPEAR ON THIS SURFACE.
- 5. PRODUCT SPECIFICATION GS-12-149.  
APPLICATION SPECIFICATION BUS-20-067.
- 6. PACKAGED IN TRAYS.

PCB NOTES:

- 7. ALL HOLE DIAMETERS ARE FINISHED HOLE SIZE.
- 8. MOUNTING HOLES, WHERE APPLICABLE, ARE UNPLATED.
- 9.  $\varnothing .0453 \pm .0010$  [1.151 $\pm$ 0.025] DRILLED HOLES PLATED WITH .0003 [0.008] MIN SnPb OR Sn OVER .001 [0.03] TO .003 [0.08] Cu PLATING TO ACHIEVE  $\varnothing .040 \pm .003$  [1.02 $\pm$ .07] HOLE.
- 10. "DIM XXX" TO BE DETERMINED BY THE CUSTOMER.
- 11. CONNECTOR KEEP-OUT ZONE.
- 12. USE FCI CAM TOOL 430140-012 TO APPLY CONNECTOR TO PCB.

mat'l code		SEE NOTE 2		tolerances unless otherwise specified		CUSTOMER		FCI		www.fciconnect.com					
ltr	ecn no.	dr	date	linear	.XX±.01/0.X±0.3	COPY									
A				linear	.XXX±.005/0.XX±0.13	projection						title		9P + 24S	
				angles	.XXX±.0020/0.XXX±0.051			R/A PRESS-FIT RECEPTACLE		product family		PwrBlade		code	
				dr	0°±2°	scale		A		51866-042		size		213	
				enr	JM GUO 03/02/06	1:1		A		4 of 4		sheet		4 of 4	
				chr	SLUO 03/02/06										
				appd	BEER FU 03/02/06										
					JOSEPH HSIA 03/02/06										
sheet index		revision sheet													

cage code 22526

Pro/E