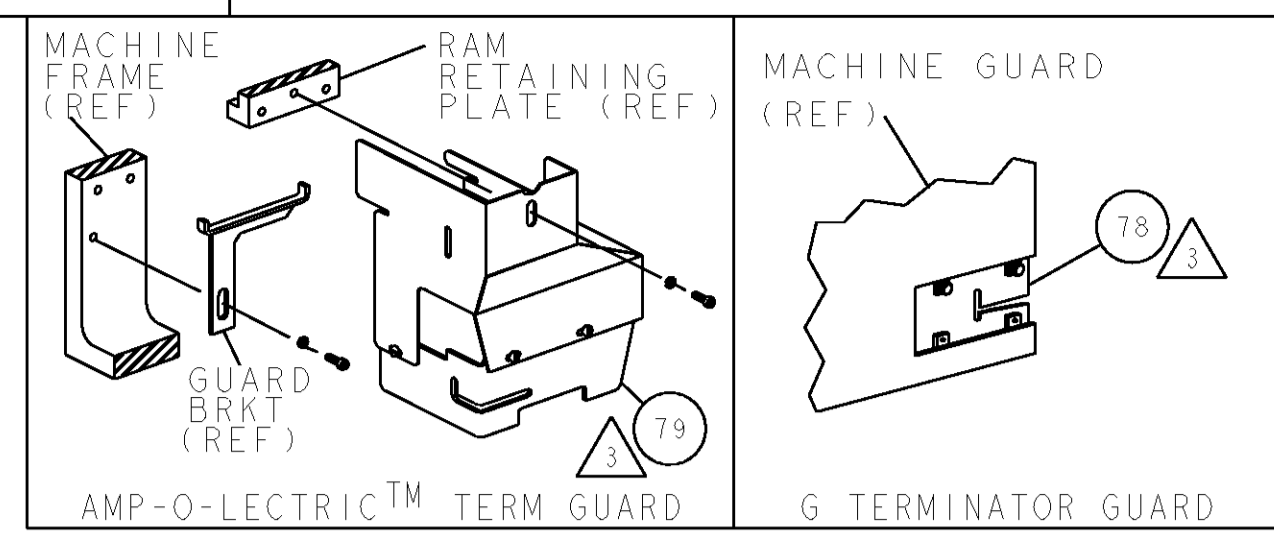
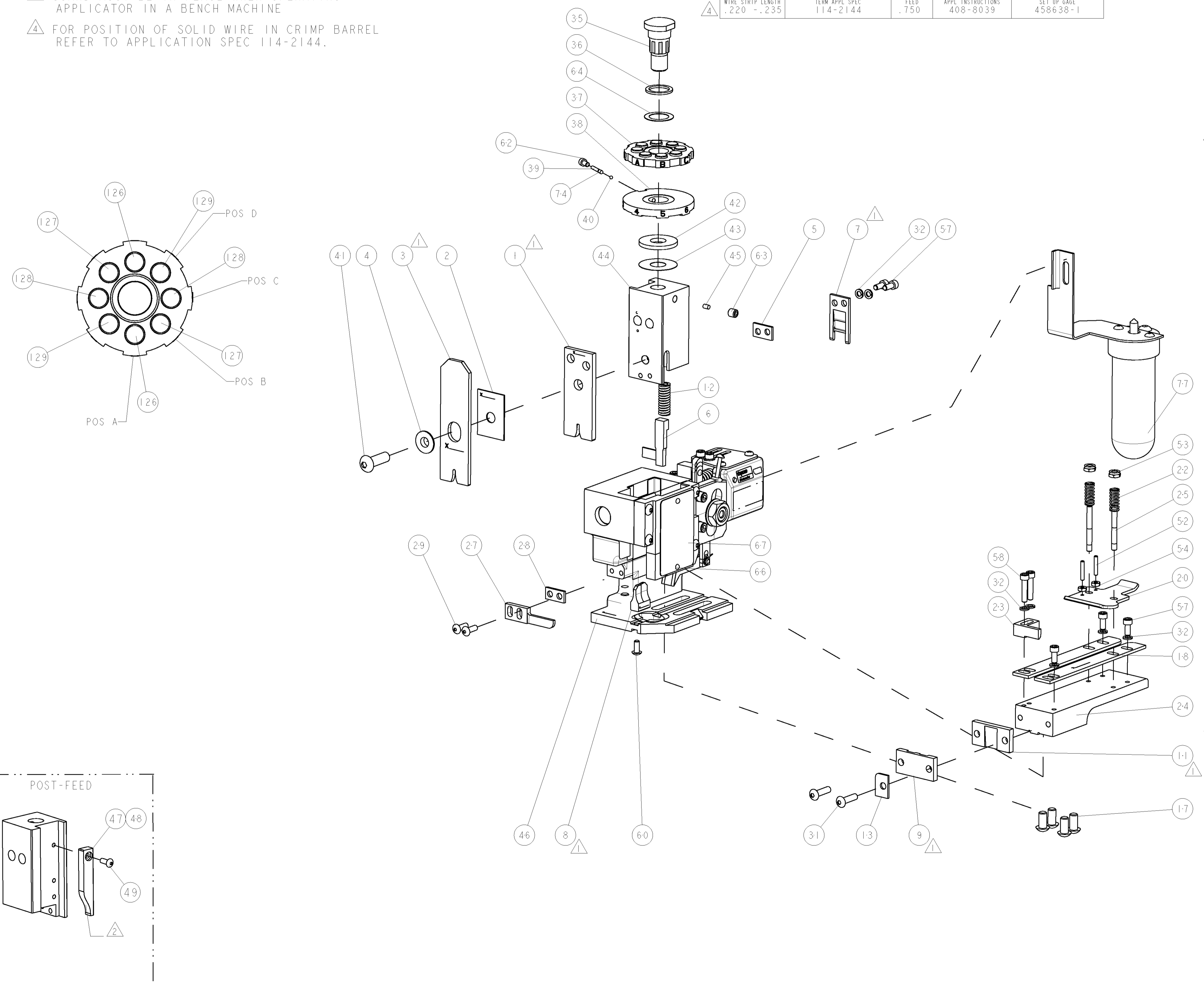


PART NUMBER	REV	FIRST USED	POWER UNIT	FEED TYPE
1852767-1	A	122500-1	LEADMAKER & BENCH MODEL G	POST FEED
1852767-2	A	565435-5	BENCH MODEL K	POST FEED
7-1852767-7	A	-	SPARE PARTS	-



TERMINAL NAME: RECEPTACLE, FASTON, .187 SRS AMPLIVAR	
1742678	-
-	TE TERMINAL - TE CRIMP SPECS
-	CRIMP HEIGHT
A	.063±.002 [1.60±0.05mm]
B	.061±.002 [1.55±0.05mm]
C	.054±.002 [1.37±0.05mm]
D	.052±.002 [1.32±0.05mm]
-	CRIMP SIZE TYPE RANGE
-	WIRE .080 [2.03mm] F 16.5-20 MAG
-	INSUL .100 [2.54mm] O -
WIRE STRIP LENGTH	TERM APPL SPEC FEED APPL INSTRUCTIONS SET UP GAGE
.220 -.235	114-2144 .750 408-8039 458638-1

- △ RECOMMENDED SPARE PARTS
- △ GREASE LIGHTLY
- △ GUARD MUST BE IN PLACE WHEN OPERATING APPLICATOR IN A BENCH MACHINE
- △ FOR POSITION OF SOLID WIRE IN CRIMP BARREL REFER TO APPLICATION SPEC 114-2144.



LOC	DIST	REV	DESCRIPTION	DATE	OWN	APVD
A	66		SEE ECO-08-028733	18NOV2008	LJL	MC

-	2	2	-	2-354779-8	PIN, WIRE DISC, .3130	129
-	2	2	-	2-354779-3	PIN, WIRE DISC, .3105	128
-	2	2	-	354779-7	PIN, WIRE DISC, .3025	127
-	2	2	-	354779-2	PIN, WIRE DISC, .3000	126
-	REF	-	-	455745-1	GUARD WINDOW	79
-	-	REF	-	679532-1	INSERT, GUARD	78
-	1	-	-	465184-9	LUBRICATOR ASSY	77
-	1	1	-	690603-1	SPRING ASSIST AMP-O-MATOR APPLICATOR	74
-	1	1	-	217238-1	GENERAL INSTRUCTION PKG	72
-	1	1	-	4088039	EF APPL INST 408-8039	71
-	1	1	-	461264-1	PLATE, IDENTIFICATION	67
-	2	2	-	21017-2	SCREW, DRIVE	66
-	1	1	-	986950-1	WASHER, FLAT PRECISION	64
-	1	1	-	21009-2	SCR, SET, SELF LOCKING 1/4-20 X .250	63
-	1	1	-	23030-1	SCR, SKT HD CAP 6-32 X .25	62
-	1	1	-	22733-8	SCR, BHSC, SELF-LOCKING, 8-32 X .375	60
-	2	2	-	2-21000-9	SCR, SKT HD CAP 8-32 X .750	58
-	5	5	-	2-21000-6	SCR, SKT HD CAP 8-32 X .375	57
-	2	2	-	21018-4	NUT, HEX, REG 4-40	54
-	2	2	-	21022-2	NUT, LOCK, HEX, TORQUE, 8-32	53
-	2	2	-	2-21006-6	SCR, SET, CUP POINT 4-40 X .625	52
-	1	1	-	1-21002-7	SCR, BTN SKT CAP 6-32 X .375	49
-	1	-	-	690501-3	CAM, POST FEED, 1 1/8	48
-	-	1	-	690501-4	CAM, POST-FEED 1 5/8	47
-	1	1	-	458980	SUB ASSY, APPLICATOR FRAME	46
-	1	1	-	690191-1	PLUG, NYLON	45
-	1	1	-	455674-1	RAM	44
-	1	1	-	690125-1	SHIM SUB-ASSY	43
-	1	1	-	690124-1	WASHER, RAM (.115)	42
-	1	1	-	7-21002-9	SCR, BTN SKT HD CAP 5/16-24 X 1.00	41
-	1	1	-	23241-6	BALL, STEEL	40
-	1	1	-	690170-1	SPRING, COMPRESSION	39
-	1	1	-	690142-1	DISC, INSULATION	38
-	1	1	-	354777-1	WIRE DISC, ASSEMBLY	37
-	1	1	-	22480-5	SPRING, COMPRESSION	36
-	1	1	-	690212-1	POST, RAM	35
-	7	7	-	21024-4	WASHER, SPRG LOCK, REG NO 8	32
-	2	2	-	2-21002-9	SCR, BTN SKT HD CAP 10-32 X .750	31
-	2	2	-	2-21002-2	SCR, BTN SKT HD CAP 8-32 X .500	29
-	1	1	-	3-690451-7	SPACER, STRIPPER	28
-	1	1	-	240639-1	STRIPPER (MACHINING)	27
-	2	2	-	22354-8	STUD, THREADED	25
-	1	1	-	455678-1	PLATE, STRIP GUIDE	24
-	1	1	-	1-240825-3	PLATE, STRIP HOLD DOWN	23
-	2	2	-	4-22281-1	SPRING, DRAG	22
-	1	1	-	454177-1	DRAG	20
-	2	2	-	454204-3	GUIDE, LOWER STRIP	18
-	4	4	-	3-21002-3	SCR, BTN SKT HD CAP 1/4-20 X .500	17
-	1	1	-	690481-8	SPACER, HOLD DOWN	13
-	1	1	-	23846-1	SPRING, DIE	12
-	1	1	-	240644-1	PLATE, REAR SHEAR	11
-	-	-	-	-	-	10
-	1	1	-	690482-6	PLATE, FRONT SHEAR	9
-	1	1	-	2-459866-8	ANVIL, COMBINATION	8
-	1	1	-	690474-6	BLADE, SLUG	7
-	1	1	-	2-455892-2	HOLD DOWN, TERMINAL	6
-	1	1	-	3-240641-3	SPACER	5
-	1	1	-	238009-1	BLOCK, FL CRIMPER SPACER	4
-	1	1	-	456135-9	CRIMPER, INSULATION O PREMIUM	3
-	1	1	-	455888-7	SPACER, CRIMPER	2
-	1	1	-	456419-7	CRIMPER, WIRE PREMIUM	1

ITEM NO	U/M	PART NO	DESCRIPTION	ITEM NO
-77	-2	-1	U/M PART NO	

DIMENSIONS: INCHES		TOLERANCES UNLESS OTHERWISE SPECIFIED:	
9 PLC	±	PLC	±0.1
1 PLC	±0.01	PLC	±0.01
3 PLC	±0.001	PLC	±0.001
4 PLC	±0.0001	PLC	±0.0001
MATERIAL		FINISH	

DATE	14OCT2008	APPD	N. DEWING
CHK	J. LOFHOUSE	PRODUCT SPEC	
NAME		END FEED HDM APPLICATOR	
SIZE		CAGE CODE	
DRAWING NO		DRAWING NO	
SCALE		3:5	
SHEET		1 OF 1	
REV		A	