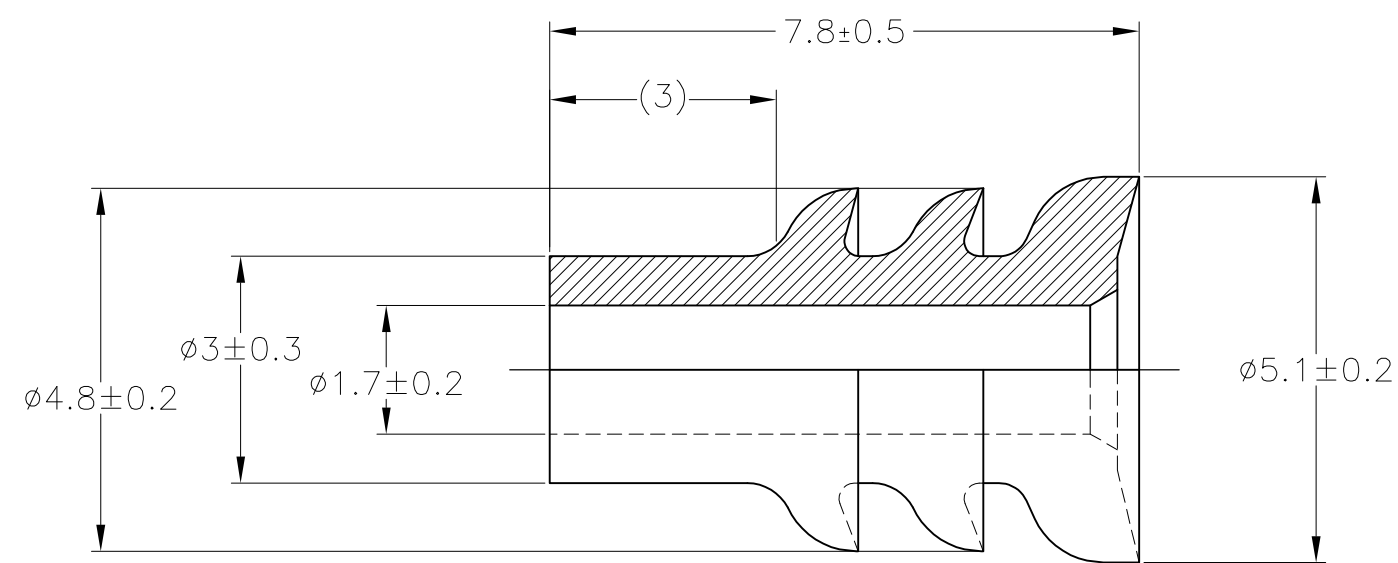


THIS DRAWING IS UNPUBLISHED. RELEASED FOR PUBLICATION JUN,2014 . - .
 © COPYRIGHT 2014 By Tyco Electronics Japan G.K. ALL RIGHTS RESERVED.

LOC	DIST	REVISIONS 変更					
J		P	LTR	DESCRIPTION	DATE	DWN	APVD
			A1	REVISED	ECR-14-018935	18DEC14	DM TK



- ① オイル塗布タイプ
- ② 材料；NBR フタル酸フリー
- ① OIL COATED TYPE
- ② MATERIAL；NBR NON-BIS TYPE

WIRE RANGE 0.5~1.25mm ² (AWG#20-#16)		INSULATION DIA. ø2~ø2.6mm		NBR ②	黒色 (BLACK)	2822354-2	
				NBR ①②	黒色 (BLACK)	2822354-1	
				MATERIAL	COLOR	PART NUMBER	
THIS DRAWING IS A CONTROLLED DOCUMENT.				TE Connectivity			
DIMENSIONS: 単位： 耗 mm		TOLERANCES UNLESS OTHERWISE SPECIFIED: 一般公差					NAME 名称
		0 PLC ± - 1 PLC ± - 2 PLC ± - 3 PLC ± - 4 PLC ± - ANGLES ± -		DWN D.MATSUURA 06AUG2014		070 TYPE RUBBER PLUG	
				CHK S.IWATANI 06AUG2014			
MATERIAL 材料 SEE TABLE		FINISH 仕上 -		APVD T.KOHNO 06AUG2014			SIZE
				PRODUCT SPEC 製品規格 108-5262 108-5179			
				APPLICATION SPEC 取付適用規格		DRAWING NO 番号 C-2822354	
				WEIGHT 0.1 g			RESTRICTED TO -
				CUSTOMER DRAWING		SCALE 尺度 10:1	
						SHEET 1 OF 1	
						REV A1	