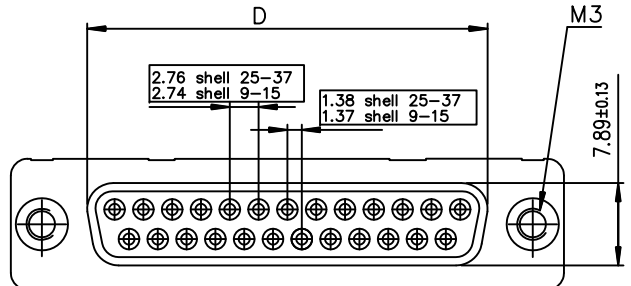
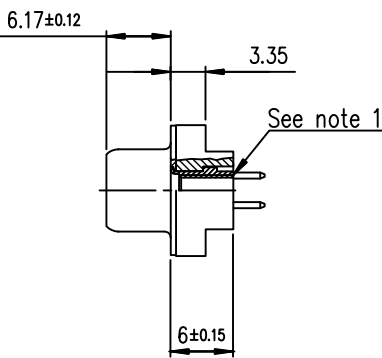
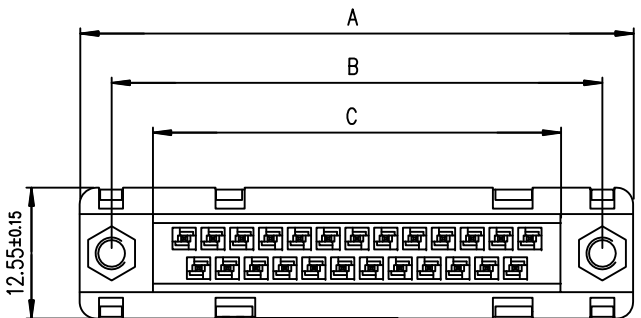


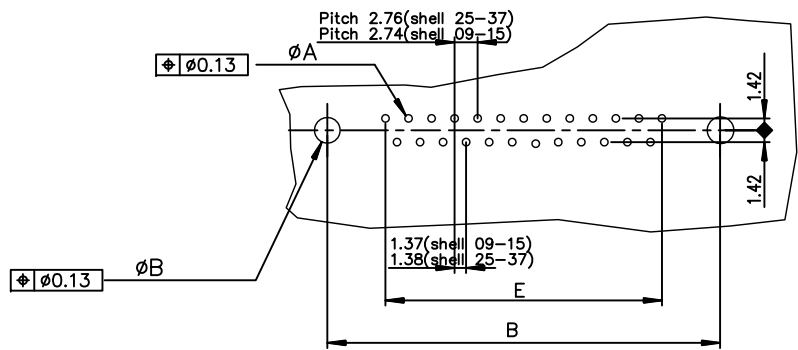
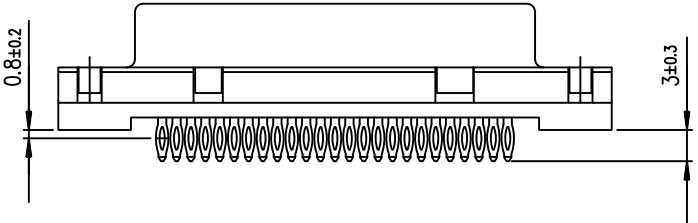


FCIconnect.com

Copyright FCI



PC board drilling dimensions(after plating)
(thickness ≤ 3.20±0.30mm)



Notes:
1) The nut can protrude above the surface of insulator but maintaining the footprint dimension 6.0±0.15 mm.

GENERAL CHARACTERISTICS AND ROHS INFORMATIONS:
SEE DRAWING C01-8646-0001

LEAD FREE PART NUMBER

SHELL	A±0.38	B±0.12	C±0.10	D±0.25	E±0.07	PART NUMBER	PART NUMBER	PART NUMBER
09	30.81	24.99	16.96	16.21	10.96	D09S91C4PL00LF	D09S91C6PL00LF	D09S91C8PL00LF
15	39.14	33.32	25.18	24.54	19.18	D15S91C4PL00LF	D15S91C6PL00LF	D15S91C8PL00LF
25	53.03	47.04	39.12	38.25	33.12	D25S91C4PL00LF	D25S91C6PL00LF	D25S91C8PL00LF
37	69.32	63.50	55.68	54.71	49.68	D37S91C4PL00LF	D37S91C6PL00LF	D37S91C8PL00LF
						gold flash	0.76µ gold	1.25µ gold

mat'l. code		surface		tolerance		projection		product family	
-		ISO 1302		ISO 406 ISO 1101		D-SUB		D-SUB	
ltr		ecn no		dr		date		title	
K		ELX-I-21256		AB		2015/07/14		FEMALE CONNECTOR DELTA-D STRAIGHT PRESS FIT	
		angles		linear		MM		dwg no	
		0°±2'		.0±0.1 .00±0.1 .000±0.1		scale 2:1		sheet 1 of 1	
		dr		engr		chr		app	
		JOUBERT		ALIAS BABU		MITHUN PAUL		BIJU K PAUL	
		1995/03/24		2015/07/14		2015/07/14		2015/07/14	
sheet index		revision		K				type	
		sheet		1				Product Customer Drawing	