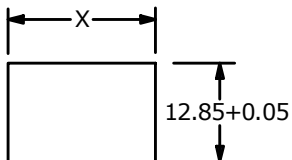


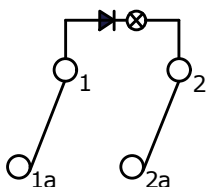
▲ NEON BULB

PARAMETERS	SYMBOL	MAX.	UNITS
LAMP VOLTAGE(AC)	V	250	V
STARTUP VOLTAGE	V _s	95	V
CURRENT	I	0.8	mA
SERIES RESISTANCE (125V)	R	120	OMHS



RECOMMENDED PANEL MOUNTING

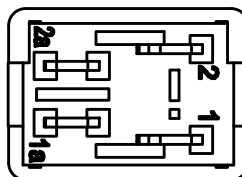
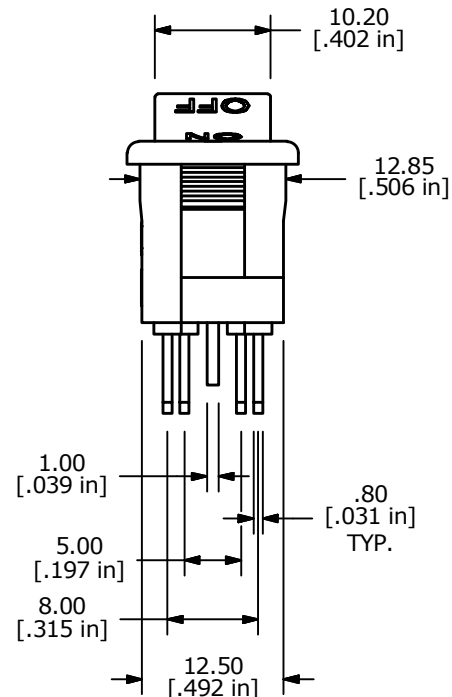
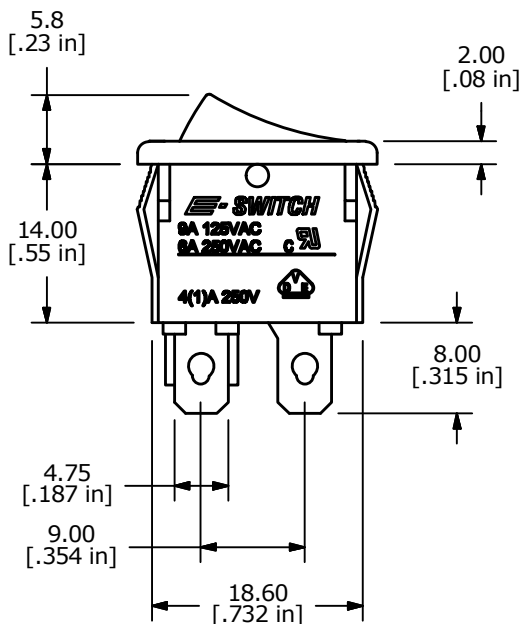
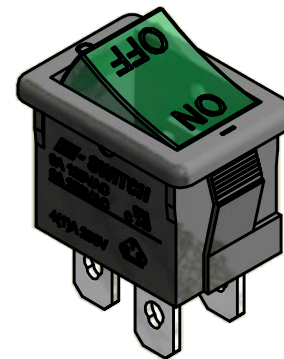
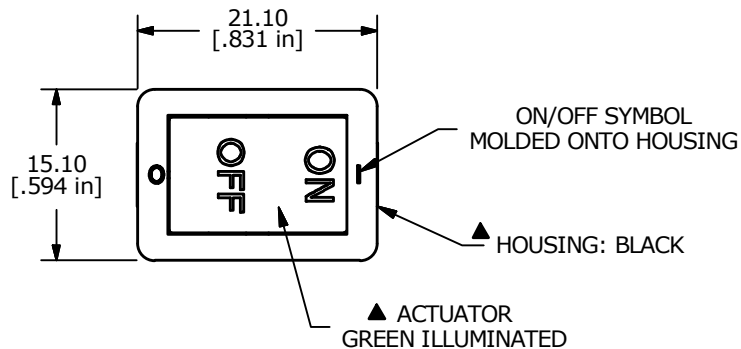
PANEL THICKNESS	X
0.75-1.25	19.2-19.3
1.25-2.00	19.3-19.4
2.00-3.00	19.5-19.6



CIRCUIT: DPST
(ILLUMINATED)
ON - OFF

NOTES:

1. ALL DIMENSIONS IN MM [INCH]
2. GENERAL TOLERANCE: X.X=±0.4
X.XX=±0.25
3. RATING: 6A @250VAC
9A @125VAC (UL, CSA, VDE)
4(1)A @250VAC (VDE)
- ▲ 4. LAMP VOLTAGE: 250VAC (NEON BULB)
5. MATERIAL:
CONTACT SURFACE: COIN SILVER, SILVER PLATE
TERMINAL: COPPER ALLOY W/SILVER PLATE.
6. CONTACT RESISTANCE: 20 MILLI-OHMS TYP. INITIAL
7. INSULATION RESISTANCE: 1000 MEGA-OHMS
8. DIELECTRIC STRENGTH: >1500V RMS min. @SEA LEVEL
9. MECHANICAL LIFE: 30,000 CYCLES.
10. ELECTRICAL LIFE: 10,000 CYCLES
11. ▲ DENOTES CRITICAL PARAMETER.
12. 2011/65/EU (ROHS) COMPLIANT



B	22467	Update Print	8/25/16	MW
A	16872	RELEASED FOR PRODUCTION	1/17/2007	TN
REV	PCR NO	DESCRIPTION	DATE	BY

TITLE R1973BBLKGILIF2				
SCALE 3:2	DATE 1/17/2007	DR TN	DWG M400095	REV B

THE INFORMATION CONTAINED IN THIS DOCUMENT IS PROPRIETARY TO E-SWITCH AND IS NOT TO BE COPIED OR TRANSFERRED