



# Series SP200 & SJ200 0.040 [1.02] Shorting Plugs and Jacks

## FEATURES

- These Shorting Plugs and Jacks are used in conjunction with Aries DIP Strips, available separately, for your programming needs. Consult [Data Sheet 16007](#) and [Data Sheet 16008](#) for details.
- Convenient handle for insertion and withdrawal.
- Jacks available in both RoHS and Sn/Pb versions

## SHORTING JACK (SJ200) SPECIFICATIONS

- BODY MATERIAL: Black UL 94V-0 Glass-filled 4/6 Nylon
- PIN BODY: Brass 360 1/2-hard per UNS C36000 ASTM-B16-00
- PIN BODY PLATING: 200µ [5.08µm] min. Sn per ASTM B545 Type 1 over 100µ [2.54µm] min. Ni per SAE-AMS-QQ-N-290 -OR- 200µ [5.08µm] min. 93/7 Sn/Pb per ASTM B545 over 100µ [2.54µm] min. Ni per SAE-AMS-QQ-N-290
- 4-FINGER COLLET CONTACT: Be-Cu per UNS C17200 ASTM-B194-01
- CONTACT PLATING: 30µ [0.76µm] min. Au per MIL-G-45204 over 50µ [1.27µm] min. Ni per SAE-AMS-QQ-N-290
- CONTACT CURRENT RATING: 8 amps
- OPERATING TEMPERATURE: -67°F to 221°F [-55° to 105°C]
- INSERTION FORCE: 240 grams/pin
- WITHDRAWAL FORCE: 130 grams/pin
- NORMAL FORCE: 210 grams/pin, based on a 0.040 [1.02] dia. test lead
- ACCEPTS LEADS: 0.032-0.047 [0.81-1.19] in dia., 0.130-0.180 [3.30- 4.56] long

## SHORTING PLUG (SP200) SPECIFICATIONS

- BODY MATERIAL: Black UL 94V-0 Glass-filled 4/6 Nylon
- PIN: Brass 260 1/4- or 1/2-hard
- PIN PLATING: 10µ [0.25µm] Au per MIL-G-45204 over 50µ [1.27µm] Ni per SAE-AMS-QQ-N-290
- CONTACT CURRENT RATING: 5 amps
- OPERATING TEMPERATURE: -67°F to 221°F [-55° to 105°C]



**CUSTOMIZATION:** In addition to the standard products shown on this page, Aries specializes in custom design and production. Special materials, platings, sizes, and configurations can be furnished, depending on the quantity. **NOTE:** Aries reserves the right to change product general specifications without notice.

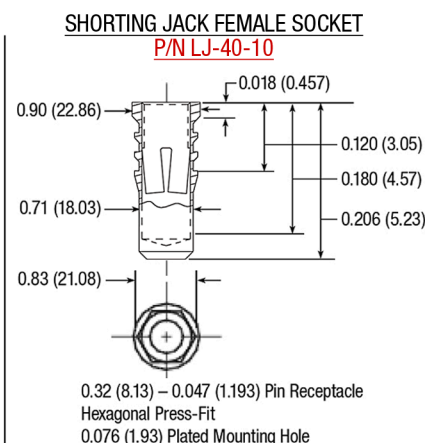
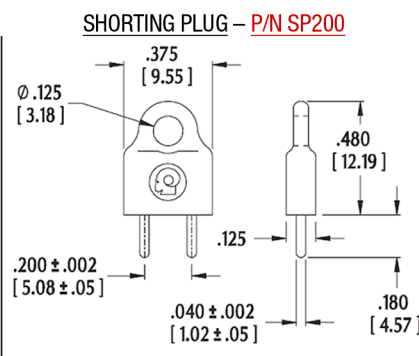
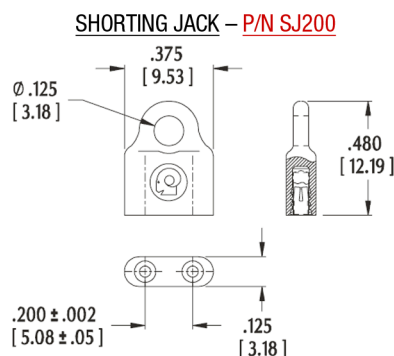
## ORDERING INFORMATION

**JACKS** – Specify P/N SJ200 (RoHS) or P/N SJ200-TL (Sn/Pb) which are used with Aries MALE DIP STRIPS, Series M40, see [DATA SHEET 16007](#) for details.

**PLUGS** – Specify P/N SP200 which is used with Aries FEMALE DIP STRIPS, Series F40, see [DATA SHEET 16008](#) for details.

ALL DIMENSIONS IN INCHES [MILLIMETERS]

ALL TOLERANCES ±0.005 [±0.13] UNLESS OTHERWISE SPECIFIED



Bristol, PA 19007-6810 USA  
 TEL (215) 781-9956 • FAX (215) 781-9845  
[WWW.ARIESELEC.COM](http://WWW.ARIESELEC.COM) • [INFO@ARIESELEC.COM](mailto:INFO@ARIESELEC.COM)



16009  
 1 of 1  
 Rev. AB