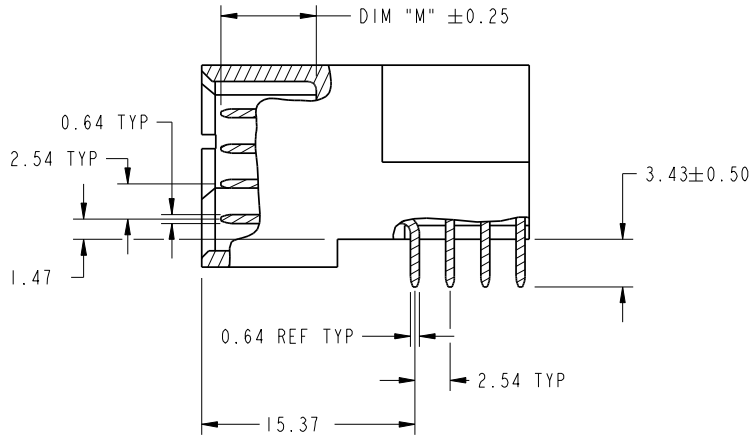


Tous droits strictement réservés. Reproduction ou communication o des liens interdite sous quelque forme que ce soit sans autorisation écrite du propriétaire. Propriete de c FCI. Droits de reproduction FCI.

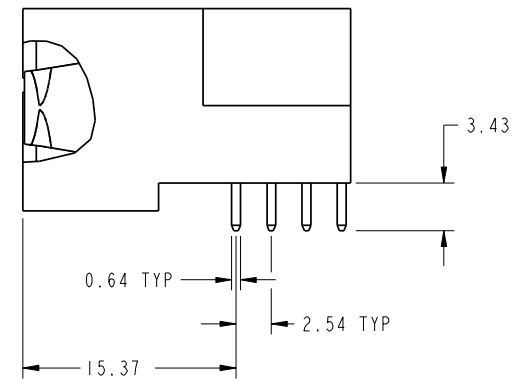
All rights strictly reserved. Reproduction or issue to third parties in any form whatever is not permitted without written authority from the proprietor. Property of FCI. Copyright FCI.



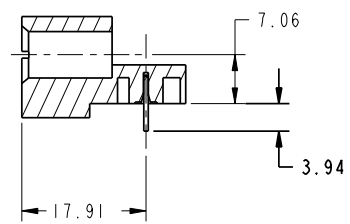
PRODUCT NUMBER
51730-189..
NOTE: 3



BROKEN-OUT SECTION A-A
SCALE 2:1



BROKEN-OUT SECTION B-B
SCALE 2:1



SECTION C-C

mail code		SEE NOTE		tolerances unless otherwise specified		CUSTOMER		FCI	
lfr	ecn no.	dr	date	linear	0.X ±0.5	COPY		www.fciconnect.com	
B				angles	0.XX ±0.25	projection		title	
				dr	0.XXX ±0.1	MM		4P + 32S + 5P	
				engr	0° ±2°	scale		RIGHT ANGLE SOLDER HEADER	
				chr		1:1		product family PwrBlade code	
				appd		A		size dwg no	
sheet index	revision sheet							51730-189 213	
								sheet 2 of 4	

cage code 22526

Pro/E

PDM: Rev:B

STATUS:Released

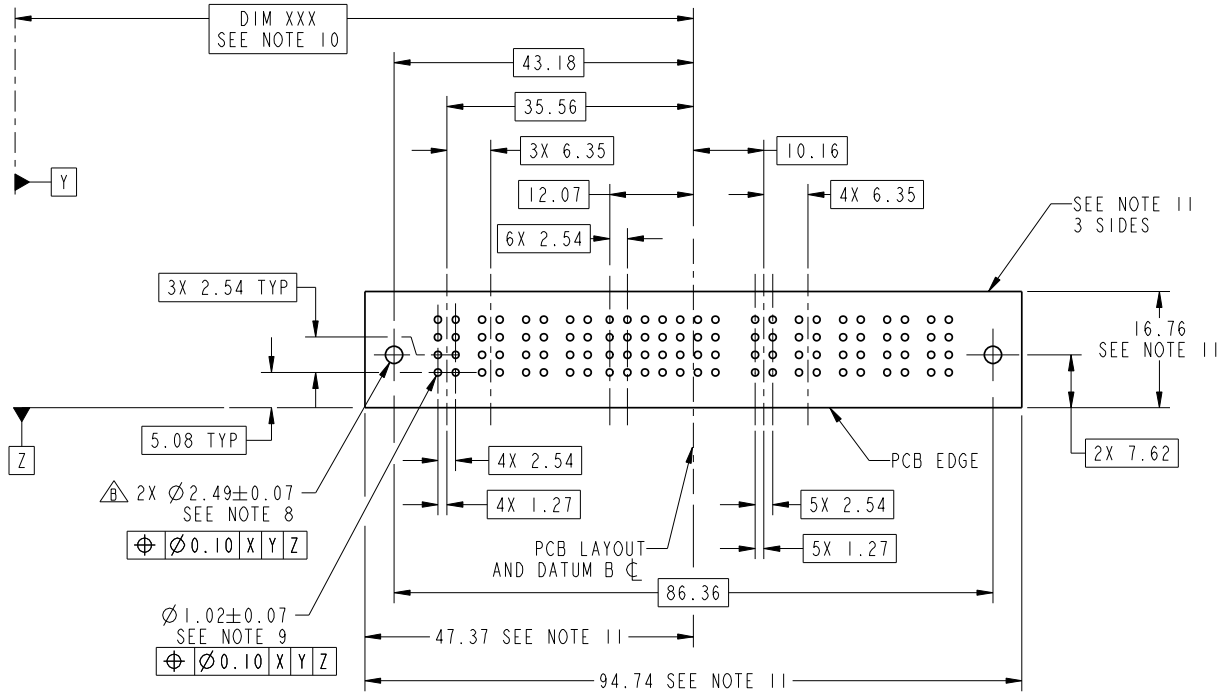
Printed: Feb 12, 2011

Tous droits strictement réservés. Reproduction ou communication o des liens interdiée sous quelque forme que ce soit sans autorisation écrite du propriétaire. Propriete de c FCI. Droits de reproduction FCI.



All rights strictly reserved. Reproduction or issue to third parties in any form whatever is not permitted without written authority from the proprietor. Property of FCI. Copyright FCI.

PRODUCT NUMBER
51730-189..
NOTE: 3



RECOMMENDED PCB LAYOUT

mat'l code		SEE NOTE		tolerances unless otherwise specified		CUSTOMER		FCI		www.fciconnect.com	
lfr	ecn no.	dr	date	linear	0.X ± 0.5	COPY		projection		title	
B				angles	0.XX ± 0.25	MM		MM		4P + 32S + 5P RIGHT ANGLE SOLDER HEADER	
				dr	0.XXX ± 0.1	scale		product family		PwrBlade	
				engr	0° ± 2°	1:1		size		code	
				chr	XQ Wang 01/07/11			51730-189		213	
				appd	Anson Liu 01/07/11			A		sheet	
					PM Zheng 01/07/11					3 of 4	
					Joseph Hsia 01/07/11						
sheet index	revision sheet										



MM

A

Pro/E

cage code 22526

PDM: Rev:B

STATUS:Released

Printed: Feb 12, 2011

Tous droits strictement réservés. Reproduction ou communication o des liens interdite sous quelque forme que ce soit sans autorisation écrite du propriétaire. Propriete de c FCI. Droits de reproduction FCI.



All rights strictly reserved. Reproduction or issue to third parties in any form whatever is not permitted without written authority from the proprietor. Property of FCI. Copyright FCI.

PRODUCT NUMBER
51730-189..
NOTE: 3

NOTES:

1. DIMENSIONS AND TOLERANCES ARE IN ACCORDANCE WITH ASME Y14.5M, 1994 UNLESS OTHERWISE SPECIFIED.

CONNECTOR NOTES:

- 2. HOUSING MATERIAL: UL 94 V-0 GLASS FILLED HIGH-TEMP THERMOPLASTIC
POWER CONTACT MATERIAL: COPPER ALLOY
SIGNAL PIN MATERIAL: COPPER ALLOY
 - 3. SEE ITEM 1 & 2 IN PRINT 10064183 FOR PLATING SPEC OF 51730-189 AND 51730-189LF RESPECTIVELY.
 - 4. MANUFACTURER'S NAME, DATE CODE AND OPTIONAL P/N TO APPEAR ON THIS SURFACE. THE P/N CAN BE OMITTED IF THERE IS NOT ENOUGH SPACE ON THIS SURFACE.
 - 5. PRODUCT SPECIFICATION GS-12-149.
APPLICATION SPECIFICATION BUS-20-067.
 - 6. PACKAGED IN TRAYS.
- PCB NOTES:
- 7. ALL HOLE DIAMETERS ARE FINISHED HOLE SIZE.
 - 8. MOUNTING HOLES, WHERE APPLICABLE, ARE UNPLATED.
 - 9. $\varnothing 1.151 \pm 0.025$ DRILLED HOLES PLATED WITH
0.008 MIN SnPb OR Sn OVER 0.03
TO 0.08 Cu PLATING TO ACHIEVE
 $\varnothing 1.02 \pm 0.07$ HOLE.
 - 10. "DIM XXX" TO BE DETERMINED BY THE CUSTOMER.
 - 11. CONNECTOR KEEP-OUT ZONE.
12. A \triangle SYMBOL WILL BE NEXT TO ANY DIMENSION, VIEW, OR NOTE WHICH HAS BEEN MODIFIED WITH THE CURRENT DRAWING REVISION.

mat'l code		SEE NOTE		tolerances unless otherwise specified		CUSTOMER		FCI www.fciconnect.com	
lfr	ecn no.	dr	date	linear	0.X ± 0.5	COPY		title	
B					0.XX ± 0.25	projection	4P + 32S + 5P RIGHT ANGLE SOLDER HEADER		
				angles	0.XXX ± 0.1				
				dr	0° ± 2°	MM	product family	PwrBlade	code
				engr	XQ Wang 01/07/11	← →	size	dwg no	213
				chr	Anson Liu 01/07/11	scale	A	51730-189	sheet
				appd	PM Zheng 01/07/11	1:1			4 of 4
					Joseph Hsia 01/07/11				
sheet index	revision sheet								



product family
PwrBlade

cage code 22526

Pro/E

PDM: Rev:B

STATUS: Released

Printed: Feb 12, 2011