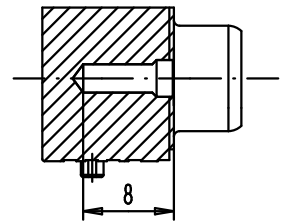
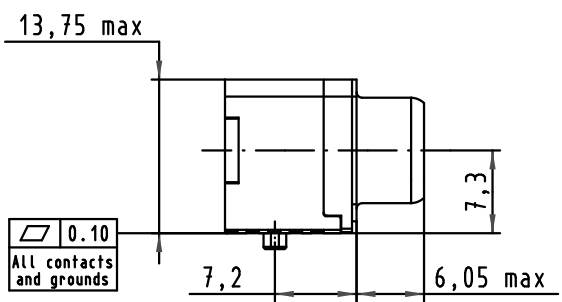
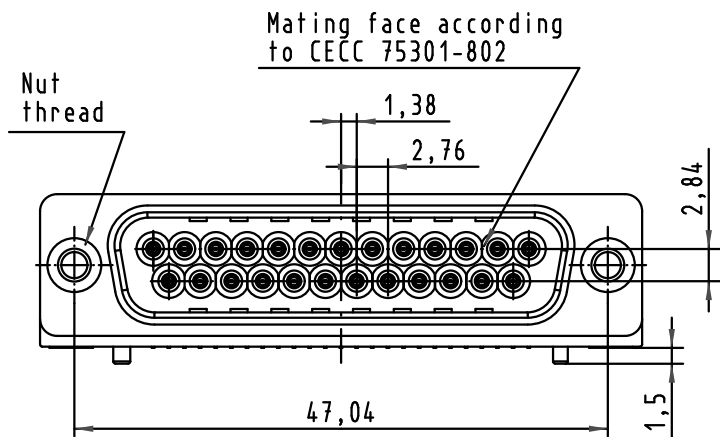
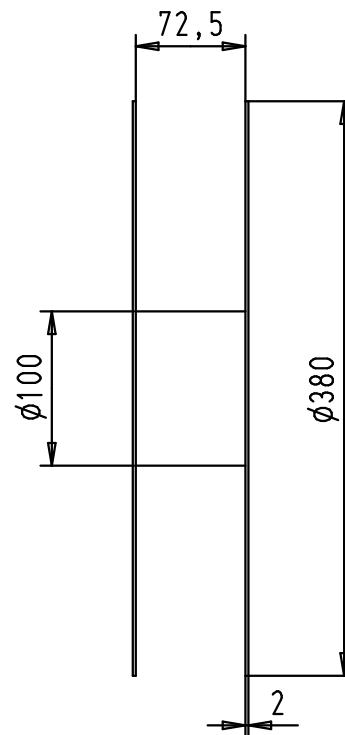
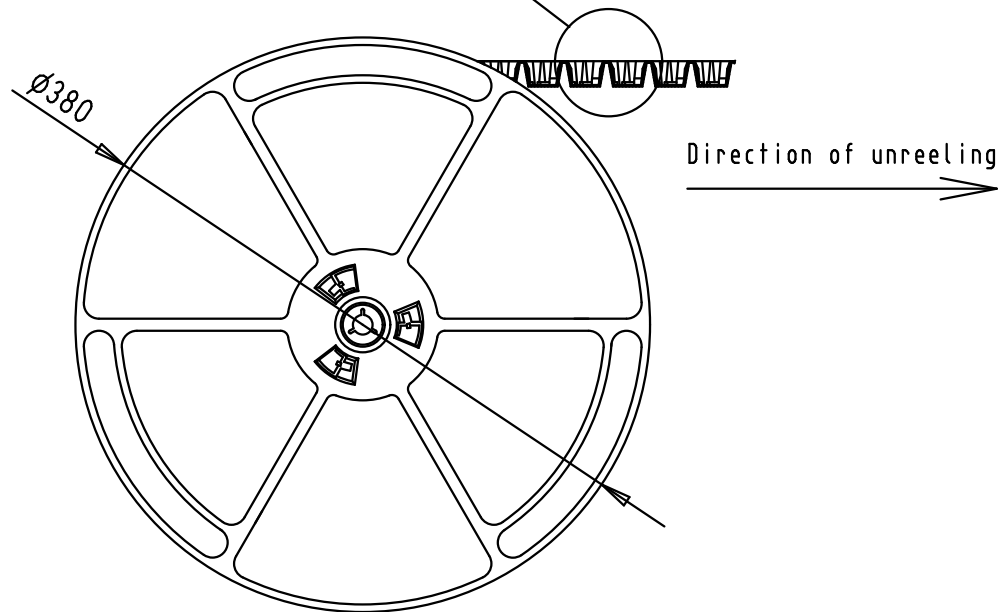
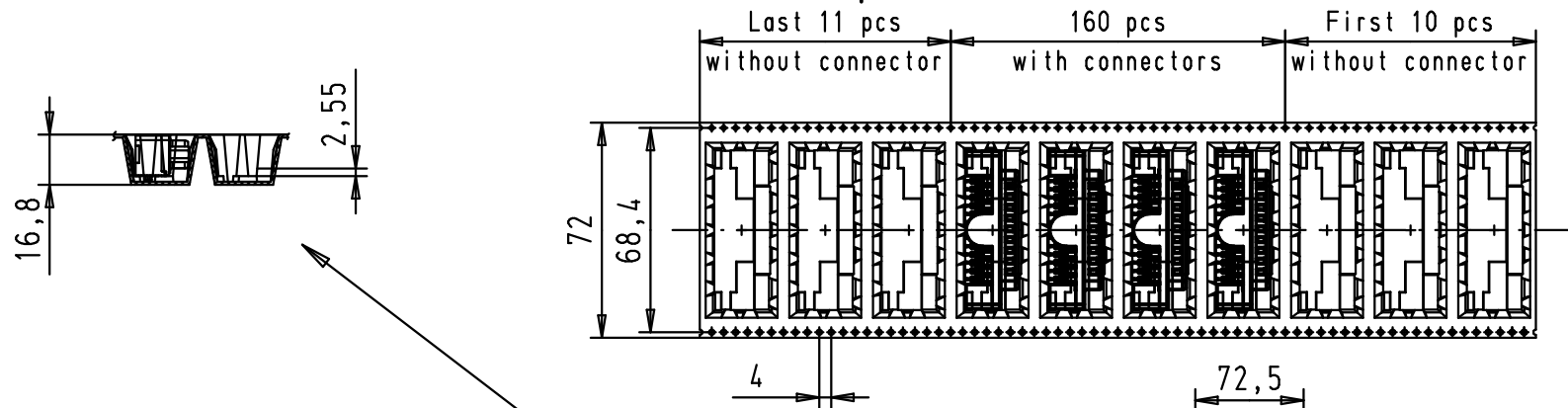


PCB Layout, component side (thickness 1,6mm min.)





Max. Temperature: 260°C during 10 seconds

D	09553663812.741	1	4-40 UNC	Black Insulator	Reel Packaging (140 connectors) see page 2/2				Dot.	Name	<p>All Dim. in mm Orig. Size DIN A 4</p>	D-SUB SMT Standard Male 25p with die casted grounds and nuts	Maßstab/ Scale 1,5:1	
	09553666812.741	2							Detail.	30Jun2010				ED
	09553667812.741	3							Insp.					
	09553663811.741	1	M3					Stand.						
	09553666811.741	2												
	09553667811.741	3												
	Part number	PL	Thread	Index designation	Mod.	Dot.	Name	HARTING EURL F-95972 Paris		Sub.		Blatt/ Page 1 / 2		



See TB 09 55 366 x81x folio 1/2 for connector dimensions and PCB layout

Packaging in accordance with EIA 481-2-A

D	09553663812.741	1	4-40 UNC	Black Insulator	Reel Packaging (140 connectors)				Dot.	Name	 All Dim. in mm Orig. Size DIN A 4	D-SUB SMT Standard Male 25p with die casted grounds and nuts	Maßstab/ Scale	
	09553666812.741	2							Detail.	30Jun2010				ED
	09553567812.741	3							Insp.					
	09553663811.741	1	M3						Stand.					
	09553666811.741	2												
	09553667811.741	3												
	Part number	PL	Thread		Index designation	Mod.	Dot.	Name	HARTING EURL F-95972 Paris			TB 09 55 366 x81x	Blatt/ Page 2 / 2	

Sub.