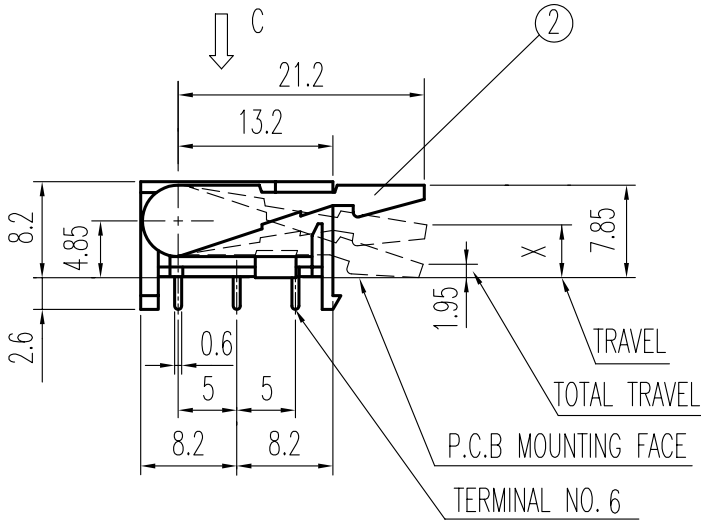
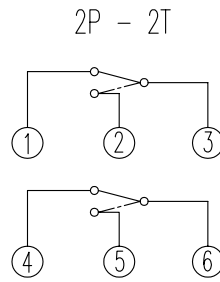
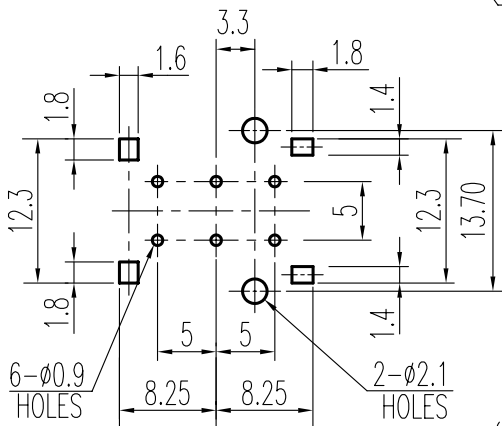
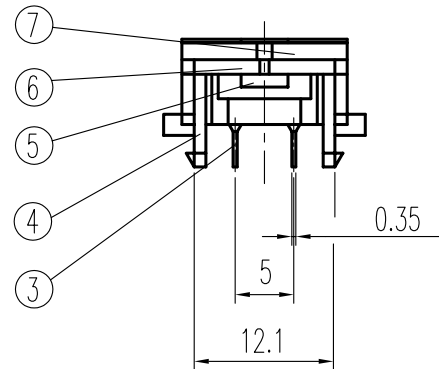


TRAVEL POSITION (X) ㉔	
① ③	ON OFF
② ③	OFF ON
④ ⑥	ON OFF
⑤ ⑥	OFF ON

6.85 Max 2.65 Min (m/m)



序 NO.	产品型号	ITEM NO	操作力 Operating Force
1	HS-2206-A1 NS		50±20 gf
2	HS-2206-A1 NS(70)		70±20 gf ㉔



### 规格 Specifications

额定负荷 Ratings	DC 30 V 0.2 A
初期接触阻抗 Initial Contact Resistance	50 mΩ Max.
绝缘阻抗 Insulation Resistance	DC500V 60 Sec. 100 MΩ Min.
抗电强度 Dielectric	AC 500 V (50~60HZ) 60 Sec.
负荷寿命 Operating Life With Load	100,000 次 Cycles

(VIEWED FROM DIRECTION C)  
示意图 SCHEMATIC

安装孔 PIERCING PLAN

序 NO.	零件 PART	材料 MATERIAL	数量 QTY	备注 REMARKS	内容 DESCRIPTION	签名 SIGN.	日期 DATE
7	滑块 CLIP SUPPORT	PA	1	BLACK			
6	弹簧 SPRING	SUS	1	NATURAL			
5	接触片 CONTACT CLIP	C5210R	2	Ag CLAD	A04 将操作力80±20gf修改为70±20gf, 见标注 ㉔ 修正行位示意图, 见标注 ㉔	杨光华	06-08-10
4	外壳 CASE	PA	1	BLACK	A03	杨光华	06-03-23
3	端子 TERMINAL	C2680R	6	Ag PLATED	A02	刘红梅	06-03-17
2	杠杆 LEVER	P O M	1	WHITE	A01	杨光华	12-07-05
1	盖片 COVER	P O M	1	BLUE			
					标号 REV		
					DWG NO.	ITEM2533	

TOLERANCES UNLESS OTHERWISE SPEC.		TITLE	HOOK SWITCH		ITEM NO	见上表	
UNDER 1	± 0.10	DRAWN	杨光华	06-08-10	VERSION	A04	PAGE 1 OF 1
1 - 10	± 0.30	REVIEWED	张念明	06-08-10	SCALE	NO SCALE	UNIT mm
OVER 10	± 0.50	APPROVED	刘瑞富	06-08-11	PROJECTION		

**COMAX** ELECTRONICS (HUIZHOU) CO.,LTD.