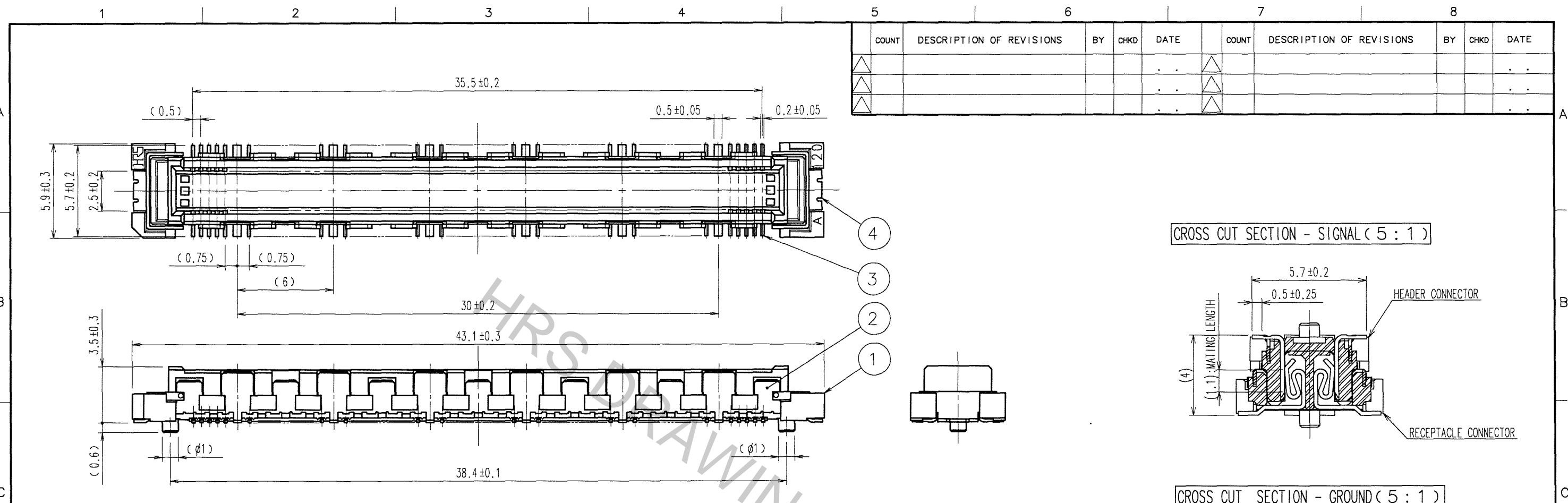
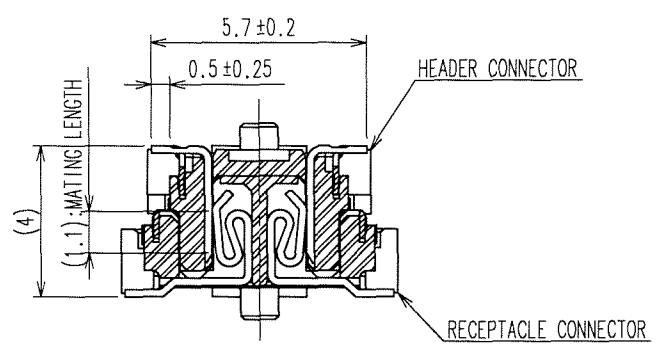


Apr.1.2017 Copyright 2017 HIROSE ELECTRIC CO., LTD. All Rights Reserved.

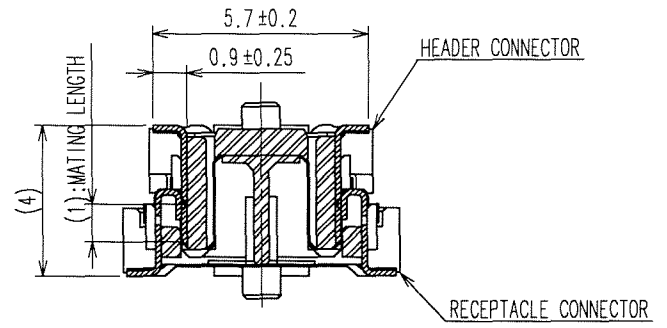


COUNT	DESCRIPTION OF REVISIONS	BY	CHKD	DATE	COUNT	DESCRIPTION OF REVISIONS	BY	CHKD	DATE
△				..	△				..
△				..	△				..
△				..	△				..

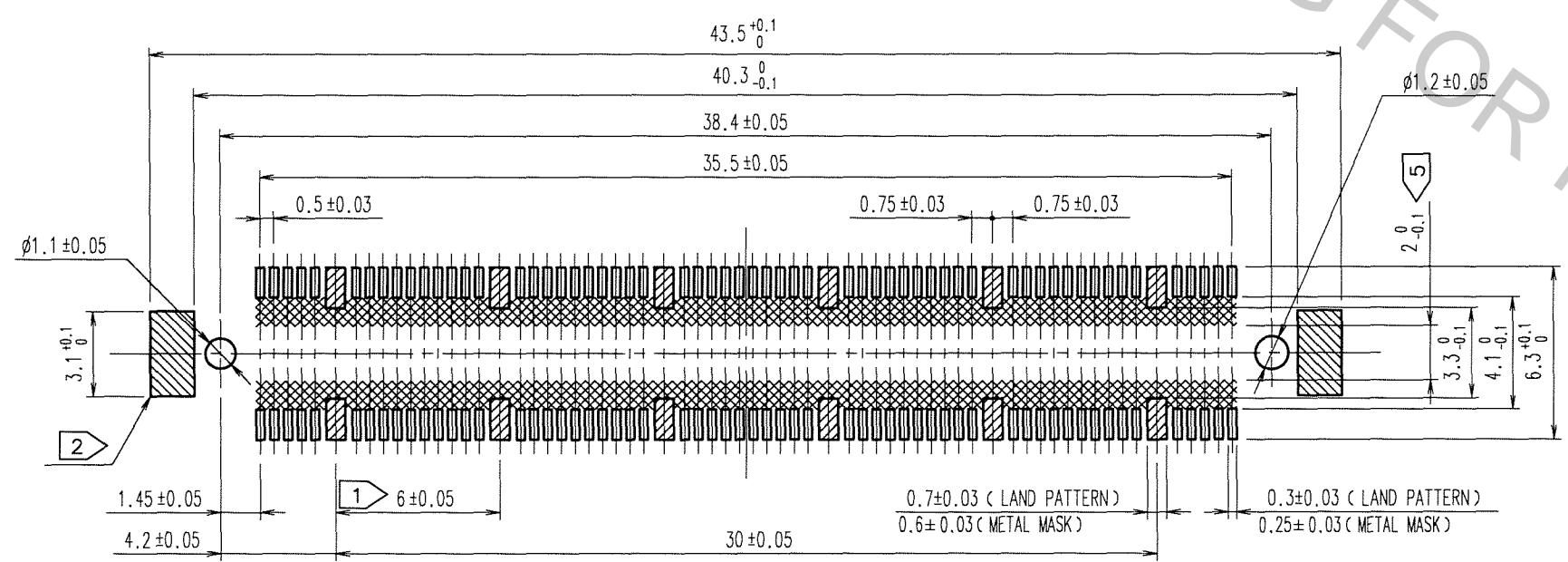
CROSS CUT SECTION - SIGNAL (5 : 1)



CROSS CUT SECTION - GROUND (5 : 1)



RECOMMENDED LAND PATTERN DIMENSION OF PCB



- NOTES
- ① 12 HATCHED PARTS:GROUND CIRCUIT.
 - ② 2 HATCHED PARTS:GROUND CIRCUIT.
 - 3 SMT LEAD-COPLANARITY:0.1 MAX.
 - 4 THIS PRODUCT HAS NO POLARITY TO PATTERN FOR MOUNTING.
 - ⑤ MAKE SURE WIDTH OF PATTERN IS WITHIN THAT OF LAND,OR LEAD MAY TOUCH PATTERN.(THIS APPLIES TO HATCHED AREA.)
 - 6 THE DIMENSIONS IN PARENTHESES ARE FOR REFERENCE.

TO
PCK

2	PHOSPHOR BRONZE	TIN-PLATING	4	PHOSPHOR BRONZE	TIN-PLATING
1	LCP	BEIGE UL94V-0	3	PHOSPHOR BRONZE	CONTACT AREA : GOLD 0.1μ m min. LEAD AREA : TIN-PLATING 1μ m min. UNDER PLATING : NICKEL 1μ m min.
NO.	MATERIAL	FINISH, REMARKS	NO.	MATERIAL	FINISH, REMARKS
CODE NO. (OLD) CL	DRAWN A.SUZUKAWA 06.06.02		DESIGNED M.Nakamura 06.06.05	CHECKED K.Ogawa 06.06.05	APPROVED H.Okawa 06.06.06
SCALE 4 : 1	DRAWING NO. EDC3-151946-25		PART NO. FX10A-120P/12-SV(71)		
UNITS mm	HRS HIROSE ELECTRIC CO., LTD		CODE NO. CL570-0003-0-71		1/1