

4

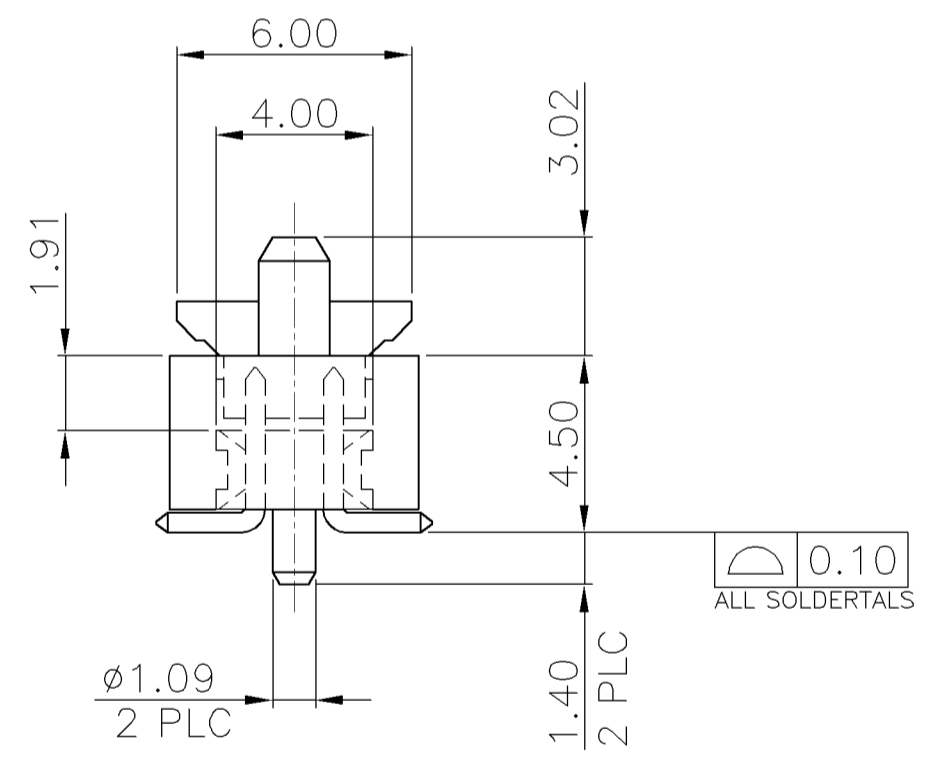
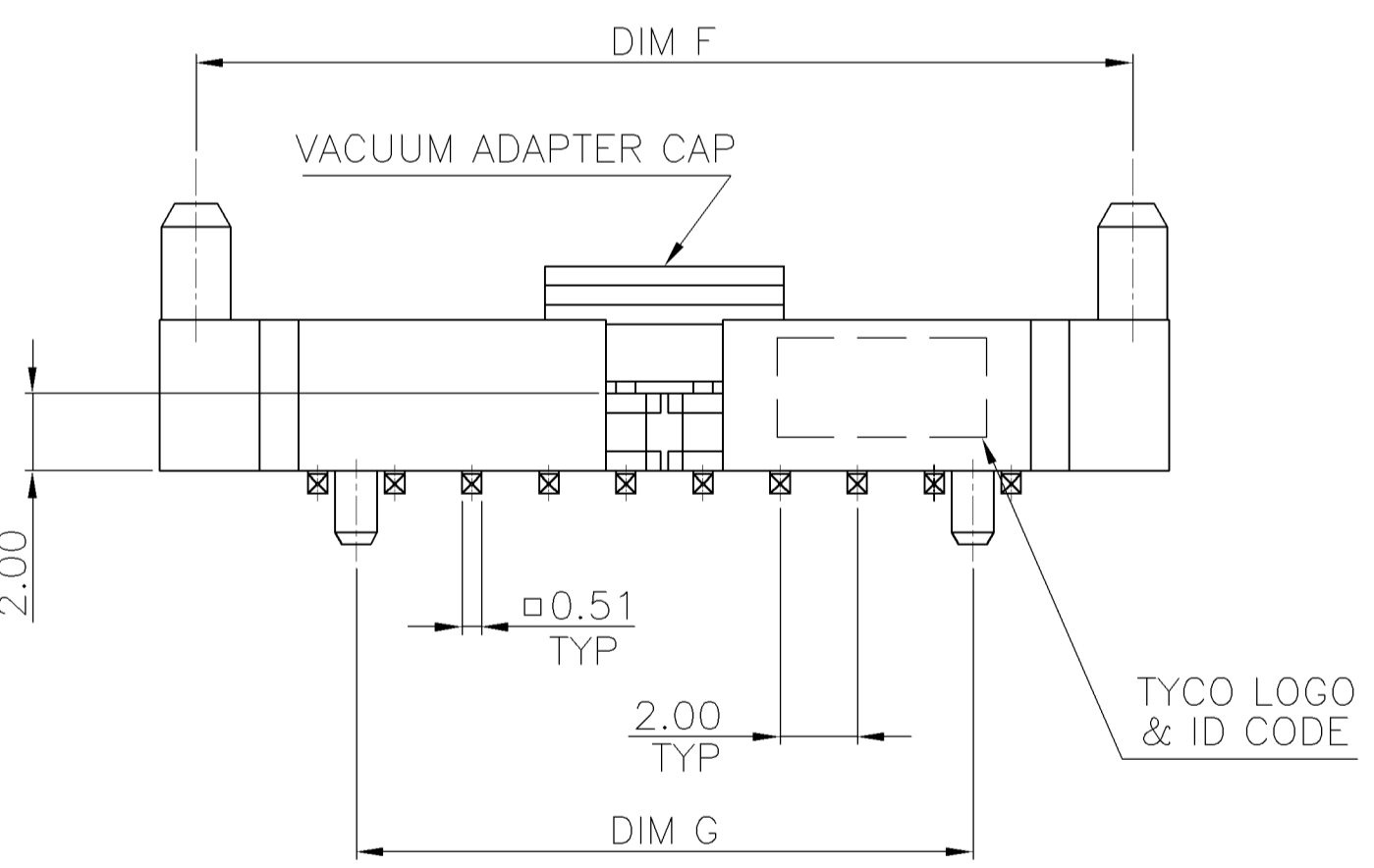
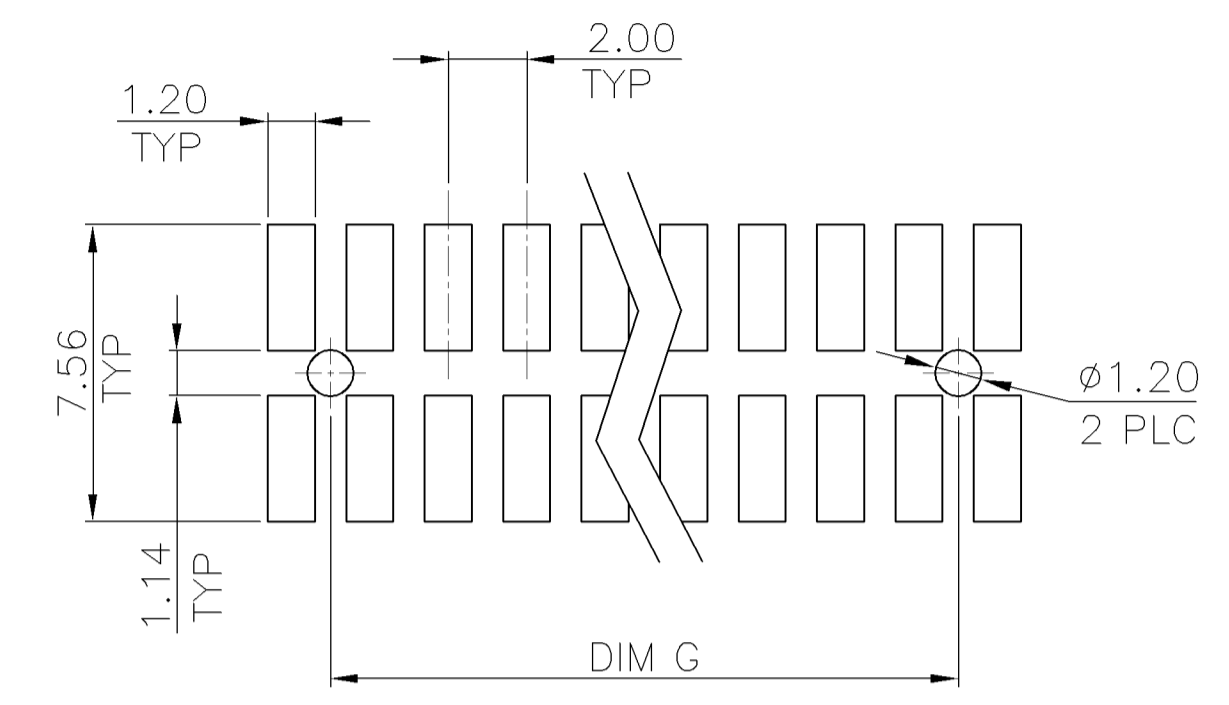
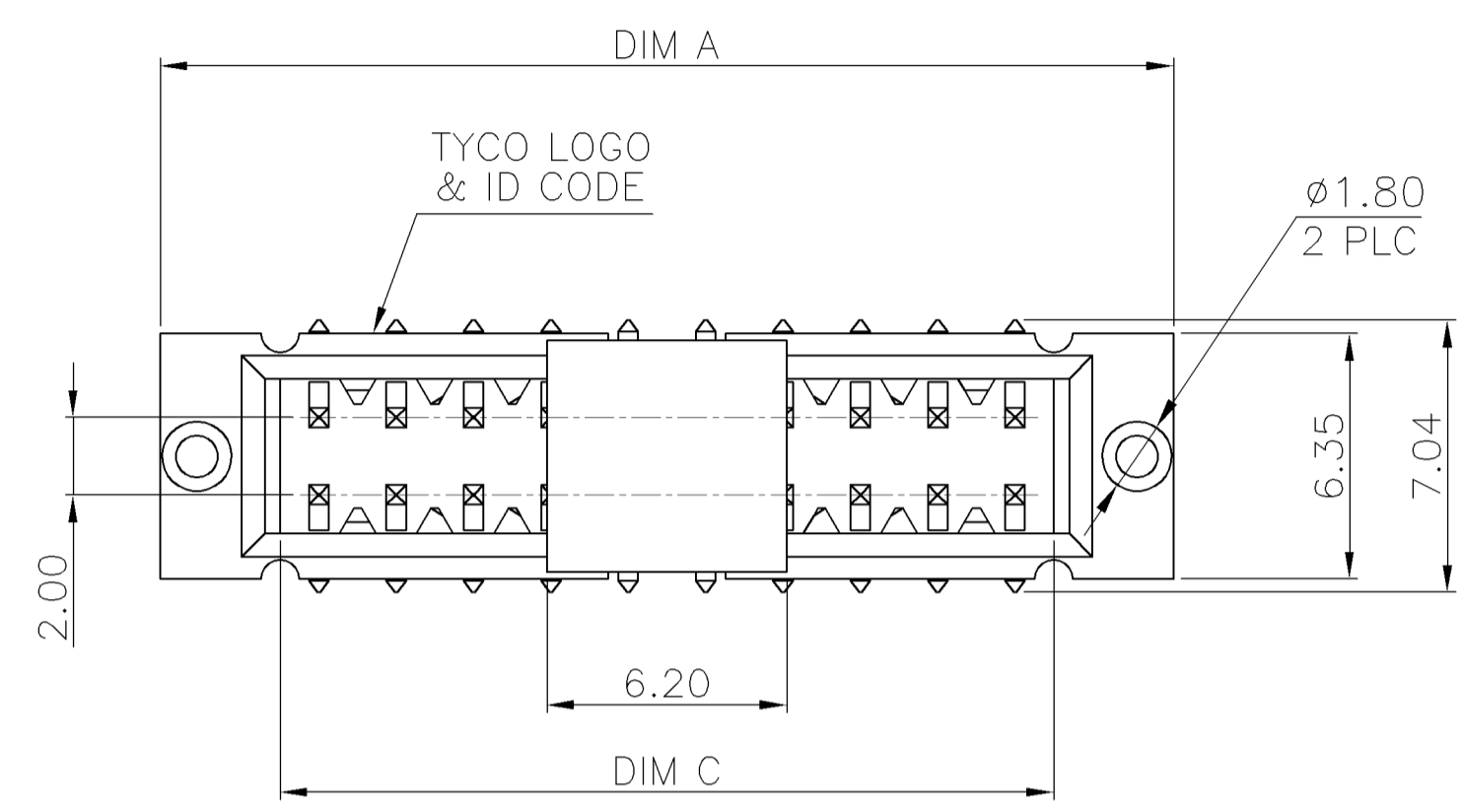
3

2

1

THIS DRAWING IS UNPUBLISHED. RELEASED FOR PUBLICATION  
 © COPYRIGHT BY TYCO ELECTRONICS CORPORATION. ALL RIGHTS RESERVED.

LOC	DIST	REVISIONS			
P	LTR	DESCRIPTION	DATE	DWN	APVD
DW	—				
	A	ECR-07-018606, MAUNUFACTURING LOCATION CHANGED	17AUG07	OH	WK



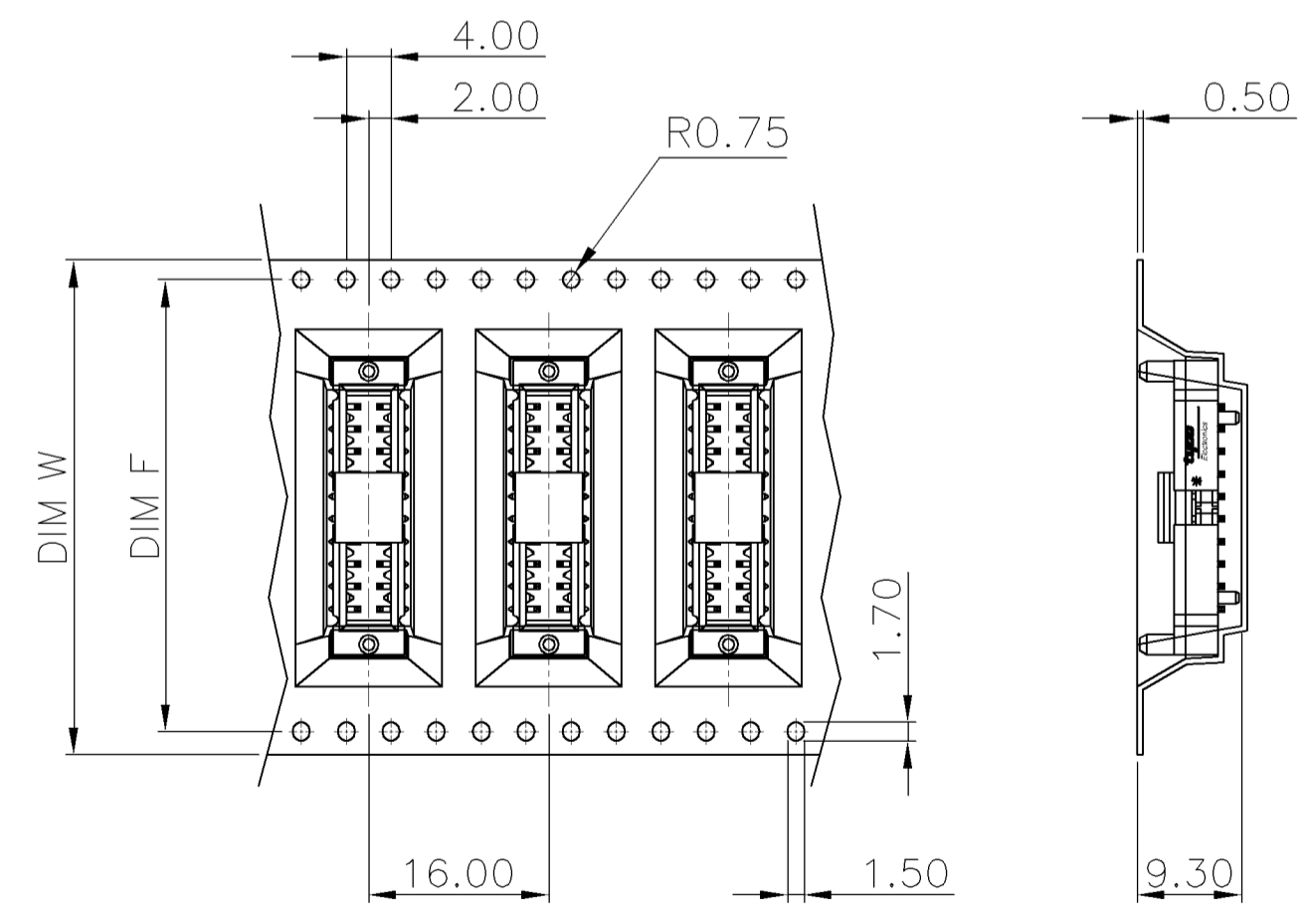
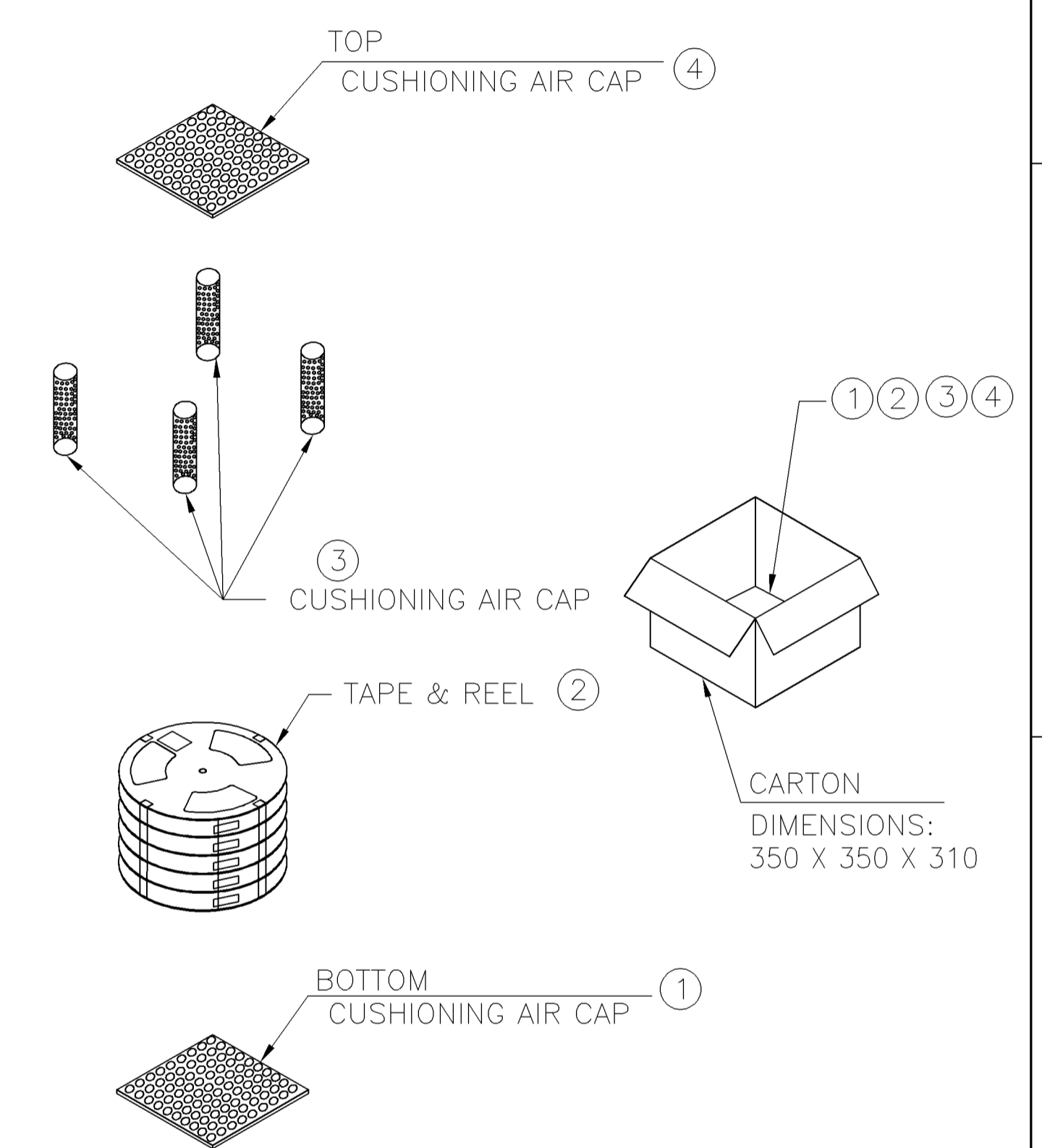
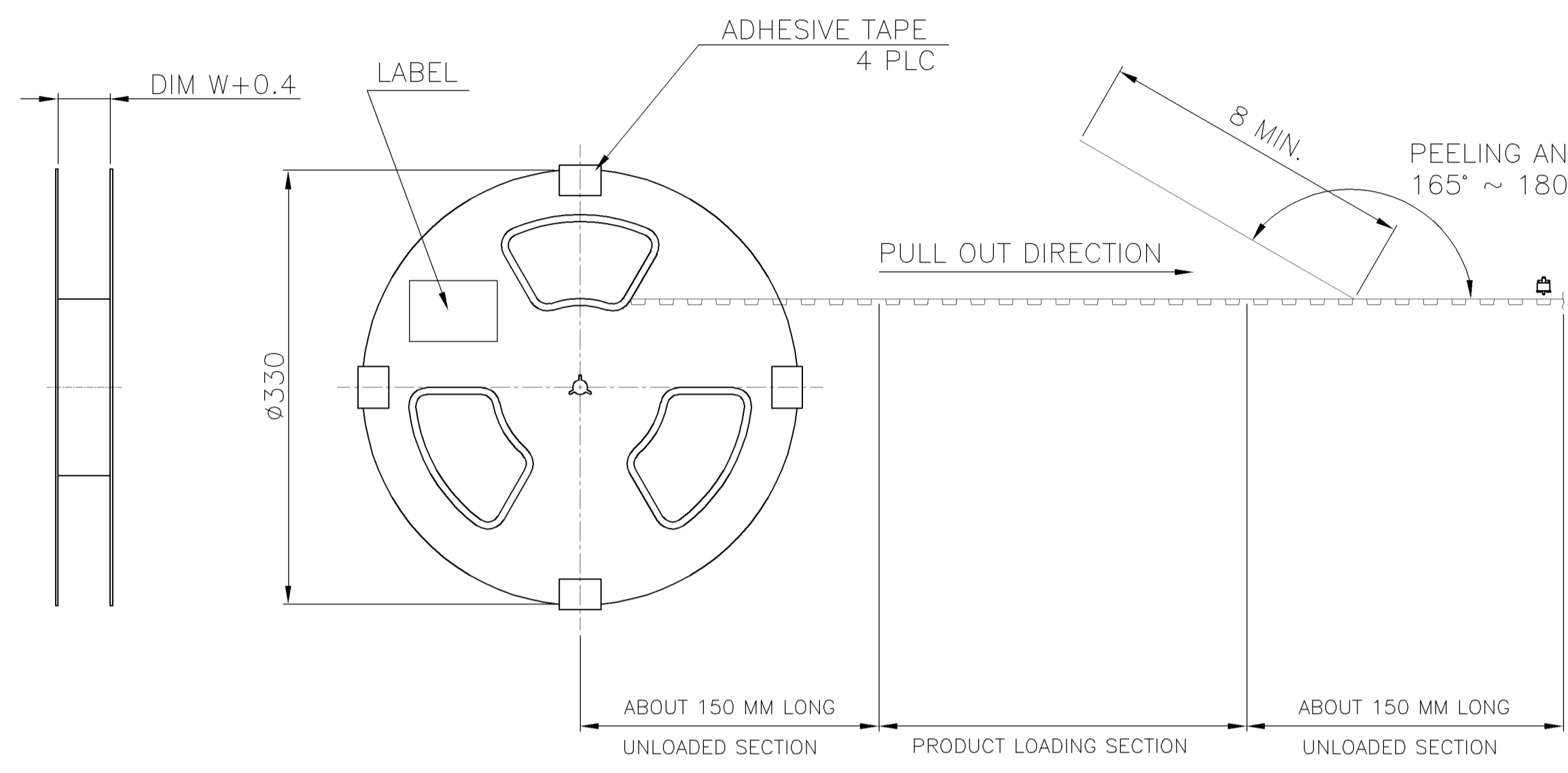
- NOTE:
- MATERIAL:  
 HOUSING: LCP WITH 30% GF, UL 94V-0, BLACK COLOR.  
 VACUUM ADAPTER CAP: PA6T WITH 30% GF, UL 94V-0, BLACK COLOR.  
 CONTACTS: PHOSPHOR BRONZE.
  - FINISH:  
 CONTACTS: (SEE TABLE) GOLD PLATED ON CONTACT AREA.  
 2.54µm [100µ"] MIN. TIN-CU ON SOLDER TAIL, WITH ENTIRE CONTACT UNDERPLATED 1.27µm [50µ"] MIN. NICKEL.
  - REFLOW SOLDER CAPABLE TO 260°C PER TE TEST SPEC. 109-201, CONDITION B.

1.3 g	26.0	34.3	30.0	36.2	30	30u"	3-1734569-0
1.0 g	16.0	24.3	20.0	26.2	20	30u"	2-1734569-0
WEIGHT	DIM G	DIM F	DIM C	DIM A	NO.OF CONTACTS	MIN.GOLD THICKNESS	PART NUMBER

THIS DRAWING IS A CONTROLLED DOCUMENT.		DWN O. HU 14AUG2007	Tyco Electronics Corporation Taipei, Taiwan				
DIMENSIONS: MM		CHK S. HOU 14AUG2007					
TOLERANCES UNLESS OTHERWISE SPECIFIED:		APVD W.J. KE 14AUG2007	NAME				
0 PLC ± - 1 PLC ± 0.5 2 PLC ± 0.3 3 PLC ± 0.2 4 PLC ± - ANGLES ± -		PRODUCT SPEC 108-57328	2.0 MM UNIVERSAL SHROUD HEADER, SMT TYPE				
MATERIAL SEE NOTE		QUALIFICATION TEST REPORT 501-57373	SIZE A3	CAGE CODE 00779	DRAWING NO C-1734569	RESTRICTED TO -	
FINISH SEE NOTE		WEIGHT SEE TABLE	CUSTOMER DRAWING		SCALE -	SHEET 1 OF 2	REV A

THIS DRAWING IS UNPUBLISHED. RELEASED FOR PUBLICATION  
 © COPYRIGHT BY TYCO ELECTRONICS CORPORATION. ALL RIGHTS RESERVED.

LOC	DIST	REVISIONS					
DW	—	P	LTR	DESCRIPTION	DATE	DWN	APVD
				SEE SHEET 1.			



56.0	52.2	400	4	1600	4.95	2.13	30
44.0	40.2	400	4	1600	4.56	1.76	20
DIM W	DIM F	PCS/TAPE	REELS/CARTON	QUANTITY (PCS)	G/W (Kg)	N/W (Kg)	NO. OF CONTACTS

THIS DRAWING IS A CONTROLLED DOCUMENT.		DWN O. HU 14AUG2007	Tyco Electronics Corporation Taipei, Taiwan				
DIMENSIONS: MM		CHK S. HOU 14AUG2007					
TOLERANCES UNLESS OTHERWISE SPECIFIED:		APVD W.J. KE 14AUG2007	NAME				
0 PLC ± - 1 PLC ± - 2 PLC ± - 3 PLC ± - 4 PLC ± - ANGLES ± -		PRODUCT SPEC	2.0 MM UNIVERSAL SHROUD HEADER, SMT TYPE				
MATERIAL		APPLICATION SPEC	SIZE	CAGE CODE	DRAWING NO	RESTRICTED TO	
FINISH		WEIGHT	A3	00779	C=1734569	-	
CUSTOMER DRAWING			SCALE	SHEET	REV		
			-	2 OF 2	A		