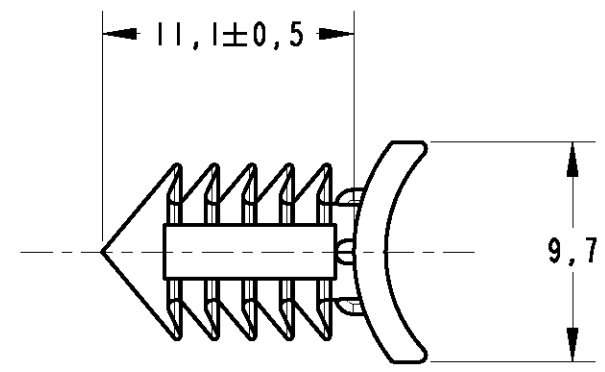
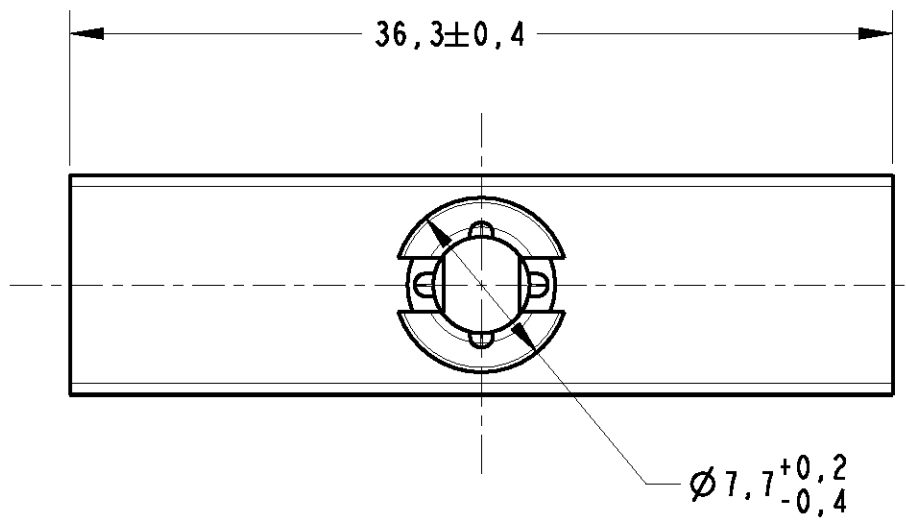
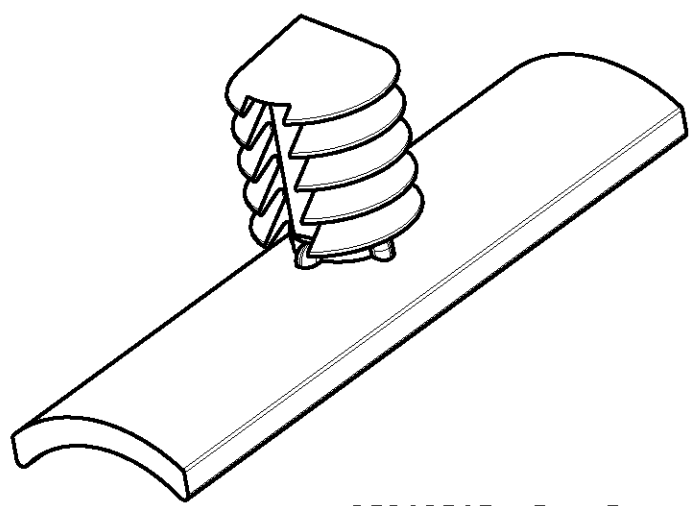


THIS DRAWING IS UNPUBLISHED. RELEASED FOR PUBLICATION 20
 © COPYRIGHT 20 BY TYCO ELECTRONICS CORPORATION. ALL RIGHTS RESERVED.

LOC	DIST	REVISIONS					
AP	-	P	LTR	DESCRIPTION	DATE	DWN	APVD
		0		WAS 98-29234-001	16SEP99	MRB	PLF
		A		DASH 2 ADDED EC-485/01	19OCT01	MRB	PLF
		B		CHANGE STATUS ECO-08-006615	12JUN2008	NCL	LWP



GRAVAÇÃO MARKING
LOGOTIPO TE TE LOGO
CÓDIGO PAÍS PRODUTOR MANUFACTURER COUNTRY CODE
NOMENCLATURA MATERIAL MATERIAL NOMENCLATURE
NÚMERO CAVIDADE CAVITY NUMBER
REV+ LETRA REV. DA PEÇA REV. + PART REV. LETTER



PERSPECTIVE VIEW
SCALE 3:1

PRETO / BLACK	P A-6.6	493575 - 2
NATURAL	P A-6.6	493575 - 1
FINISH	MATERIAL	PART NUMBER

DIMENSIONS:		TOLERANCES UNLESS OTHERWISE SPECIFIED:		DWN		Tyco Electronics		TYCO ELECTRONICS do Brasil LTDA.	
mm		0 PLC	±-	M. R. BRIZ	15SEP99	São Paulo, Brasil		-	
		1 PLC	±0,3	CHK	16SEP99	-		CHRISTMAS TREE	
		2 PLC	±-	P. L. FARIA	16SEP99	-		-	
		3 PLC	±-	APVD	16SEP99	-		-	
		4 PLC	±-	P. R. SILVA	16SEP99	-		-	
		ANGLES	±P	PRODUCT SPEC		-		-	
MATERIAL	SEE TABLE	FINISH	SEE TABLE	APPLICATION SPEC		SIZE	CAGE CODE	DRAWING NO	RESTRICTED TO
				WEIGHT	-	A3	00779	C-493575	-
CUSTOMER DRAWING						SCALE	3:1	SHEET	OF
									REV
									B