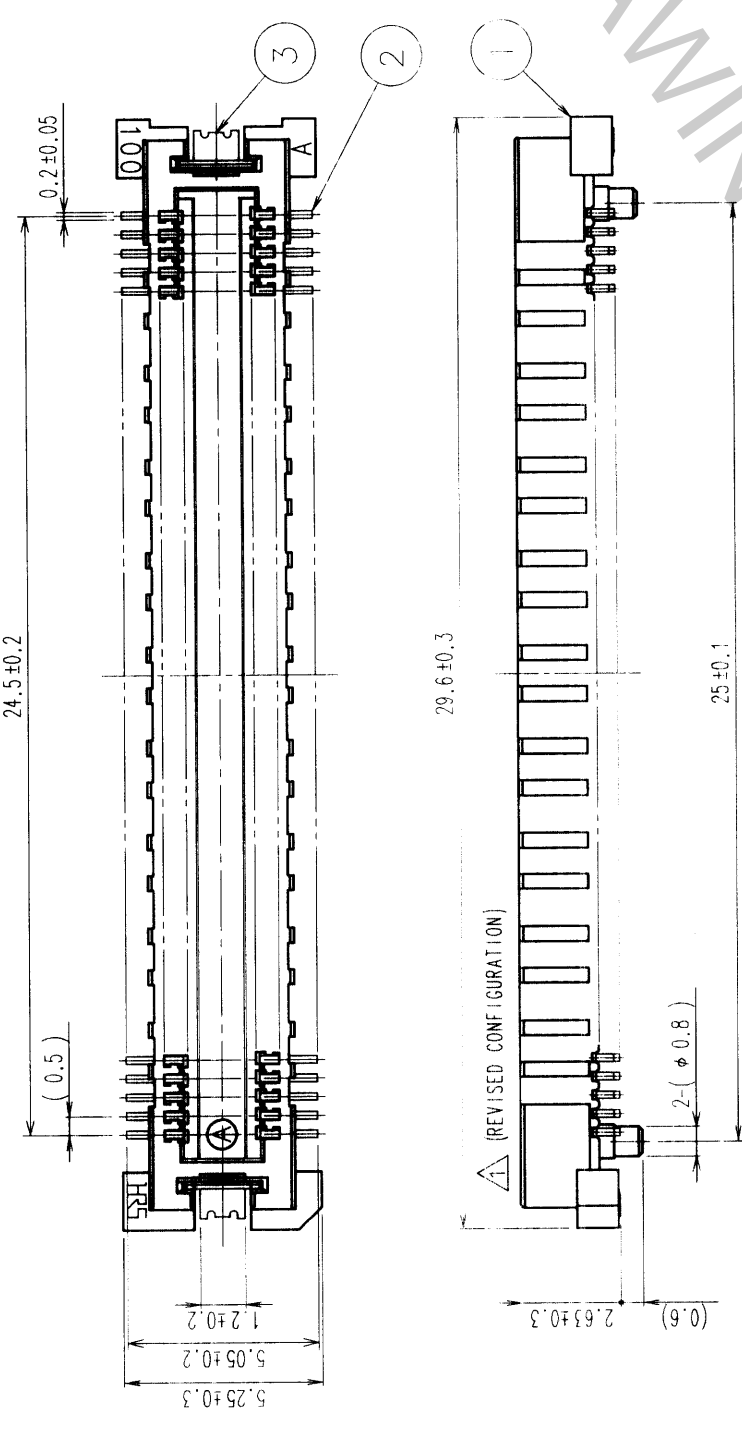
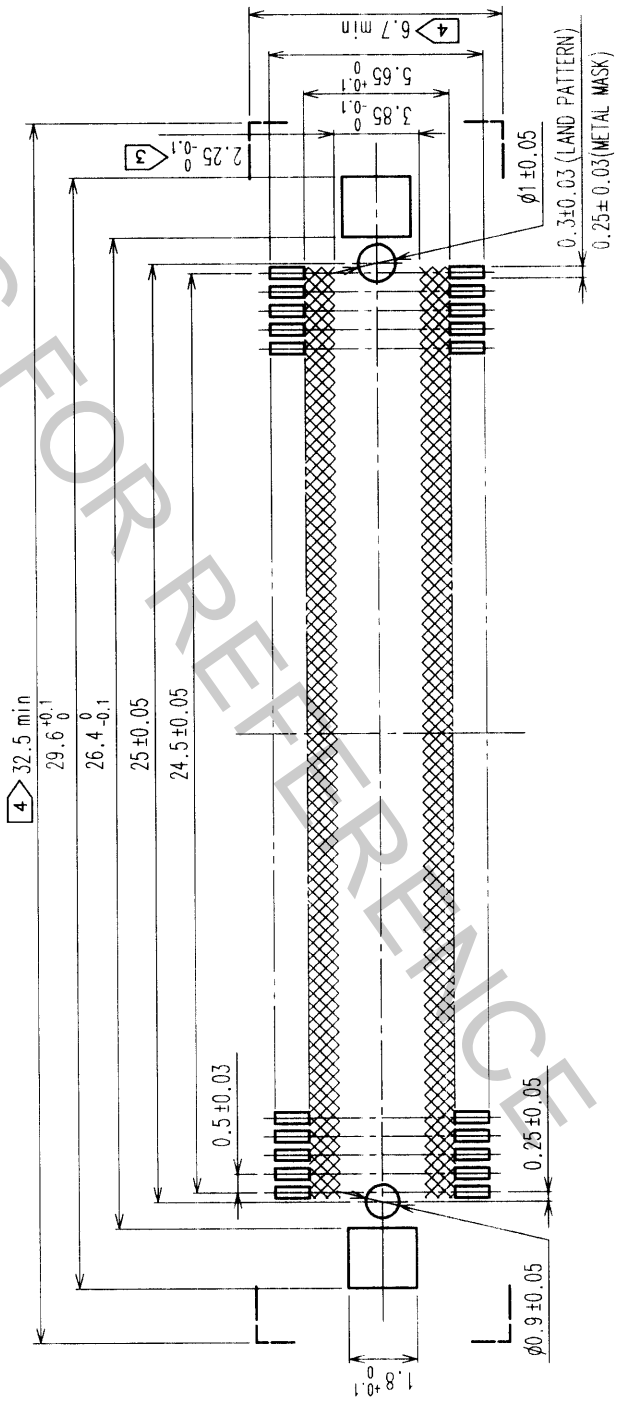


COUNT	DESCRIPTION OF REVISIONS	BY	CHKD	DATE	COUNT	DESCRIPTION OF REVISIONS	BY	CHKD	DATE
1	RE-F-06821	J.M.H.	H.O.	00.04.06					

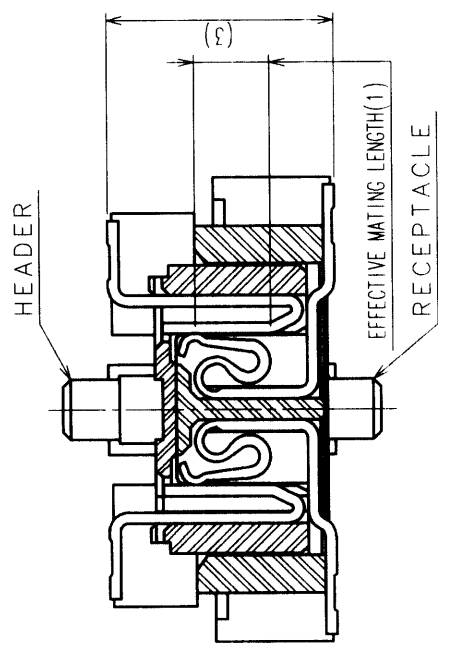
A B C D E F



RECOMMENDED LAND PATTERN DIMENSION OF PCB



SIGNAL PORTION CROSS SECTION (10:1)



2	COPPER ALLOY	CONTACT AREA: GOLD (0.1μm) OVER NICKEL
1	LCP	LEAD: GOLD FLASH OVER NICKEL
NO.	MATERIAL	BEIGE UL94V-0
CODE NO. (OLD)	FINISH, REMARKS	3 PHOSPHOR BRONZE TIN PLATED
CL	DRAWN	J. MATSUKAWA
	DESIGNED	M. ISHIDA
	CHECKED	Y. YOSHIMURA
	APPROVED	
	RELEASED	

DRAWING NO.	EDC3-152623-01	PART NO.	FX11A-100P-SVO.5(21)
SCALE	5:1	CODE NO.	CL573-0643-1-21
UNITS	mm		

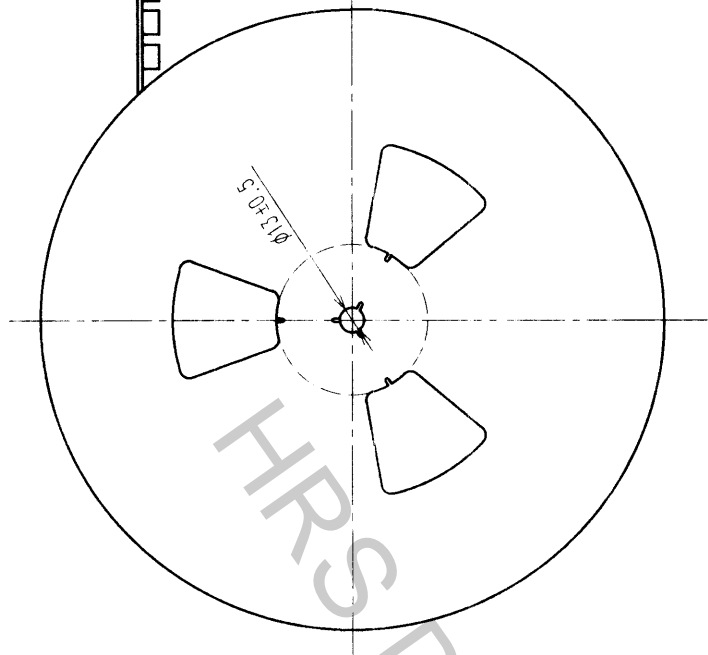
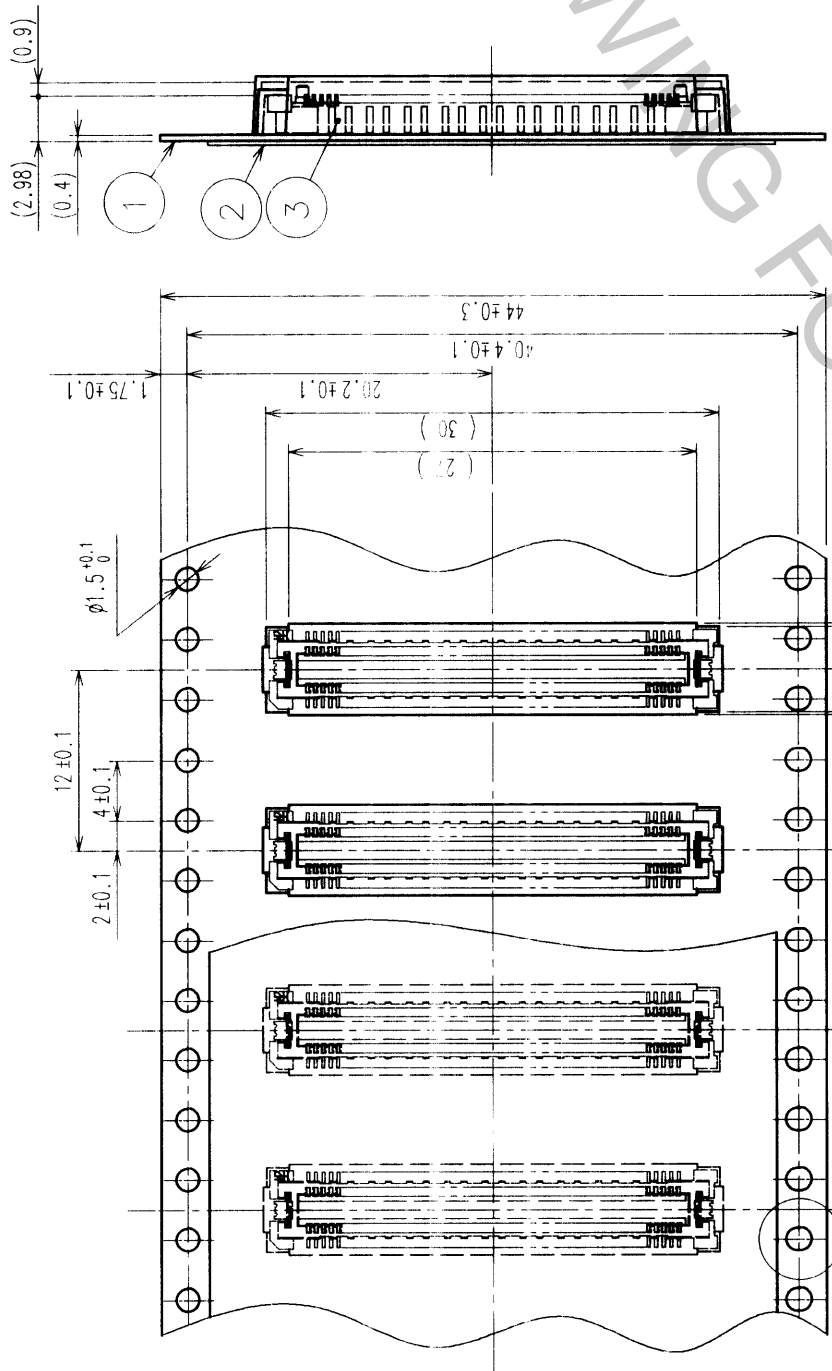
- NOTES
- SMT LEAD-COPLANARITY: 0.1 MAX.
 - THIS PRODUCT HAS NO POLARITY TO PATTERN FOR MOUNTING.
 - MAKE SURE WIDTH OF PATTERN IS WITHIN THAT OF LAND, OR LEAD MAY TOUCH PATTERN. (THIS APPLIES TO HATCHED AREA.)
 - DO NOT MOUNT OTHER DEVICES ONTO [] AREA, OR MATING PAIR CANNOT BE MATED.
 - TO BE EMBOSSED CARRIER TAPED AS SPECIFIED IN SHEET 2.

TO	
PCK	

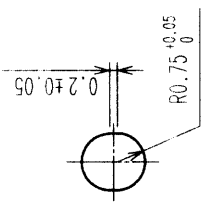
8	FORM NO. 229
7	
6	
5	
4	
3	
2	
1	

COUNT	DESCRIPTION OF REVISIONS	BY	CHKD	DATE	COUNT	DESCRIPTION OF REVISIONS	BY	CHKD	DATE
△					△				
△					△				
△					△				

REELED DIMENSION (FREE)



A (5 : 1)



- NOTES
- 1 REEL : 1000 CONNECTORS.
 - 2 MINIMUM 10 COMPARTMENTS FROM BOTH REEL ENDS REMAIN EMPTY.
 - 3 THIS PRODUCT HAS NO POLARITY TO TAPE AND REEL PACKAGING.

2	PET	TOP COVER TAPE	(CONNECTOR)			FINISH, REMARKS		
1	PS	EMBOSSED CARRIER TAPE	3					
NO.	MATERIAL	FINISH, REMARKS	NO.	MATERIAL	DESIGNED	CHECKED	APPROVED	RELEASED
CL					J. MATSUKAWA	M. ISHIDA	Y. YOSHIMURA	
DRAWING FOR PACKING			00 01 15	00 01 15	00 01 15	00 01 17	00 01 17	
DRAWING NO.			PART NO.					
EDC3-152623-01			FX11A-100P-SV0.5(21)					
SCALE			CODE NO.					
2 : 1			CL573-0643-1-21					
UNITS			HIROSE ELECTRIC CO., LTD					
mm								

TO	
PCK	