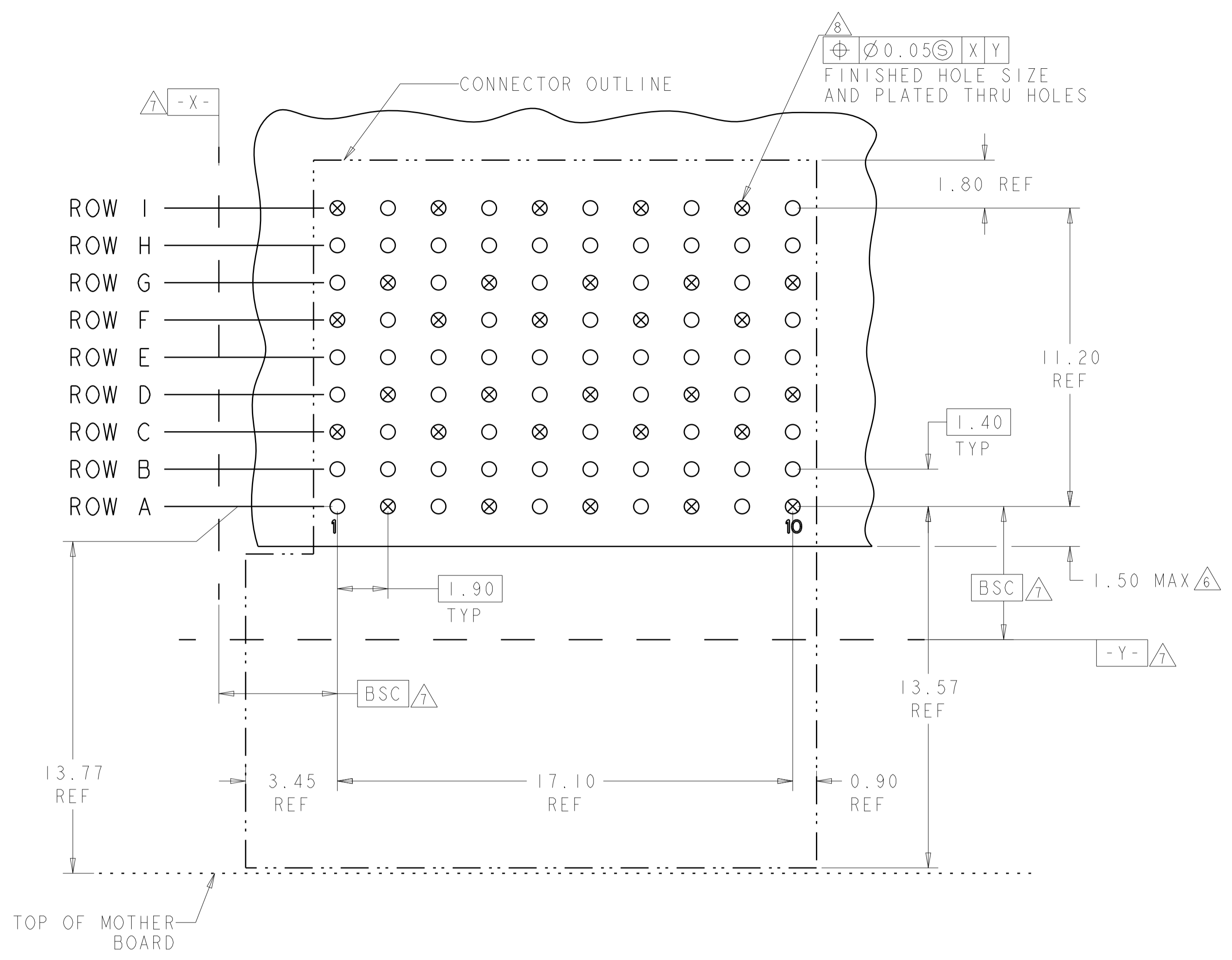


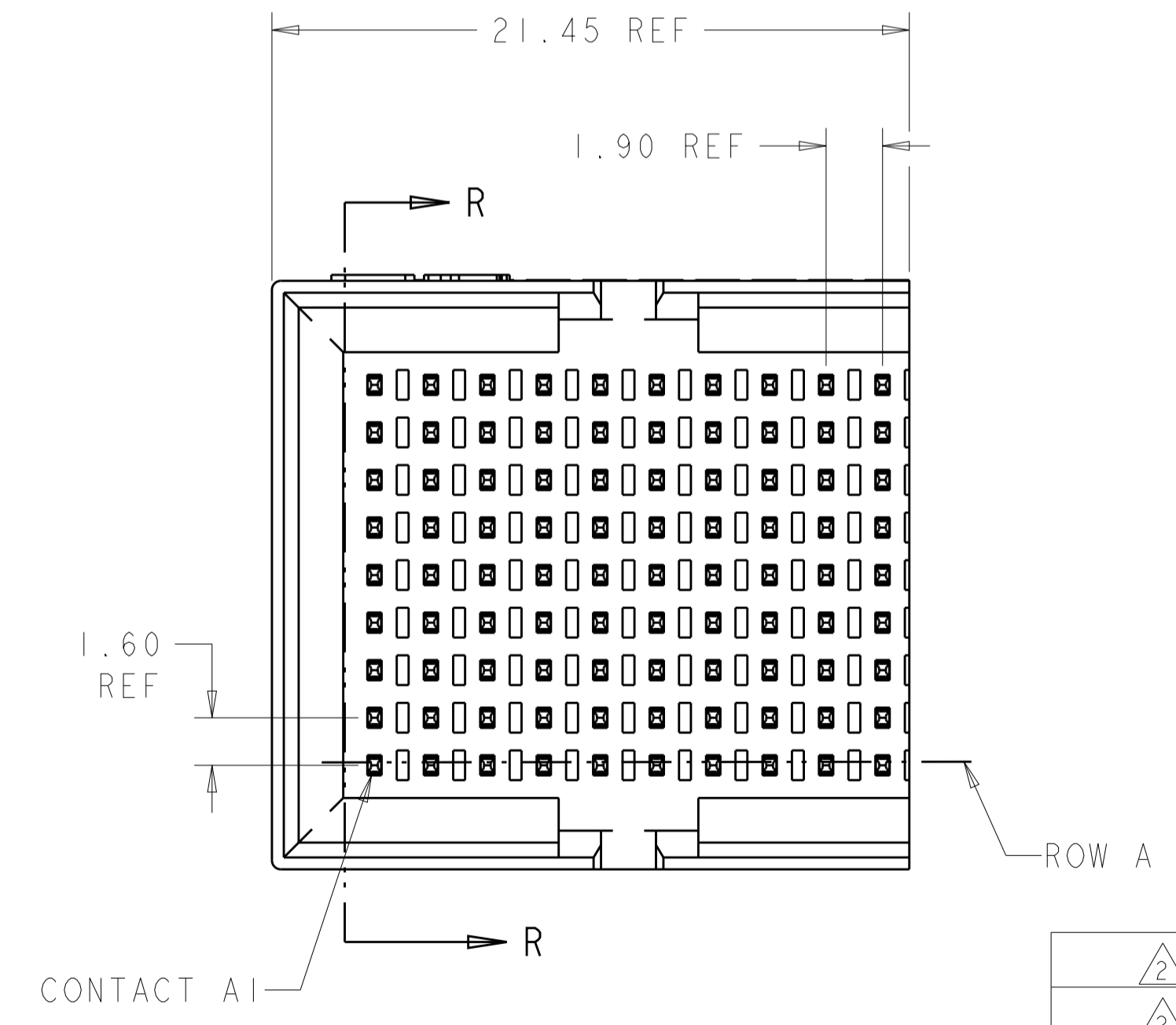
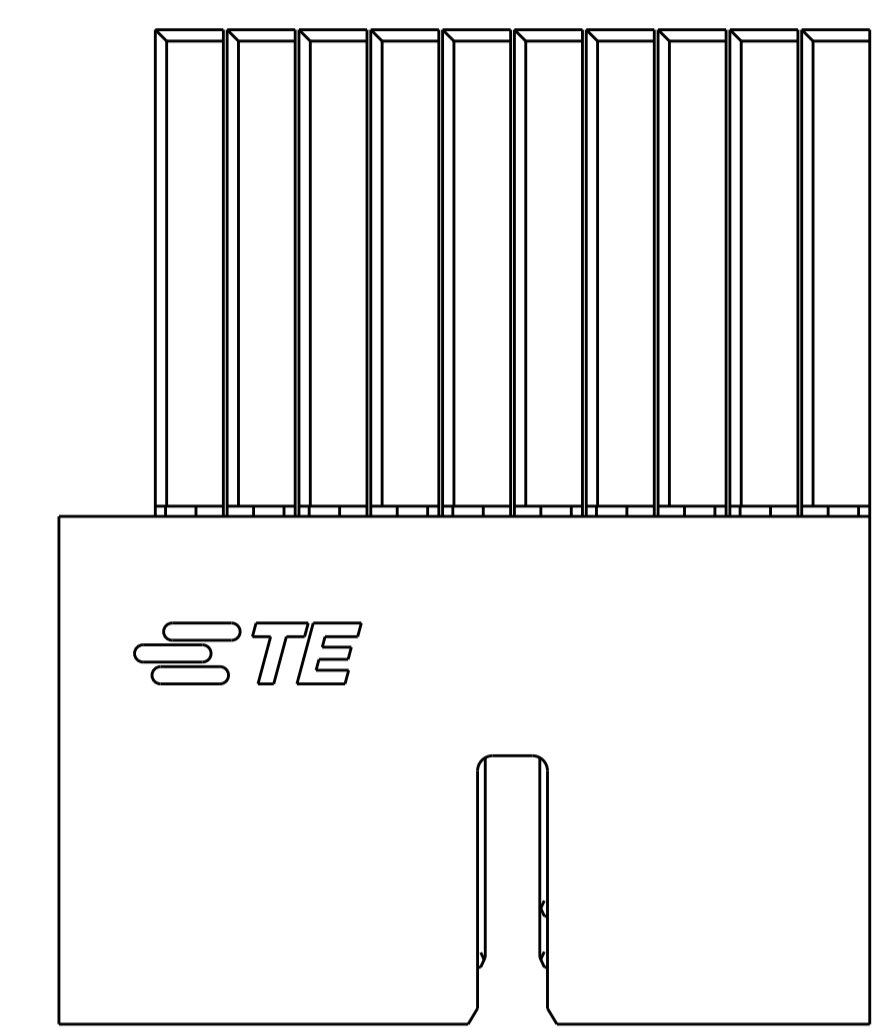
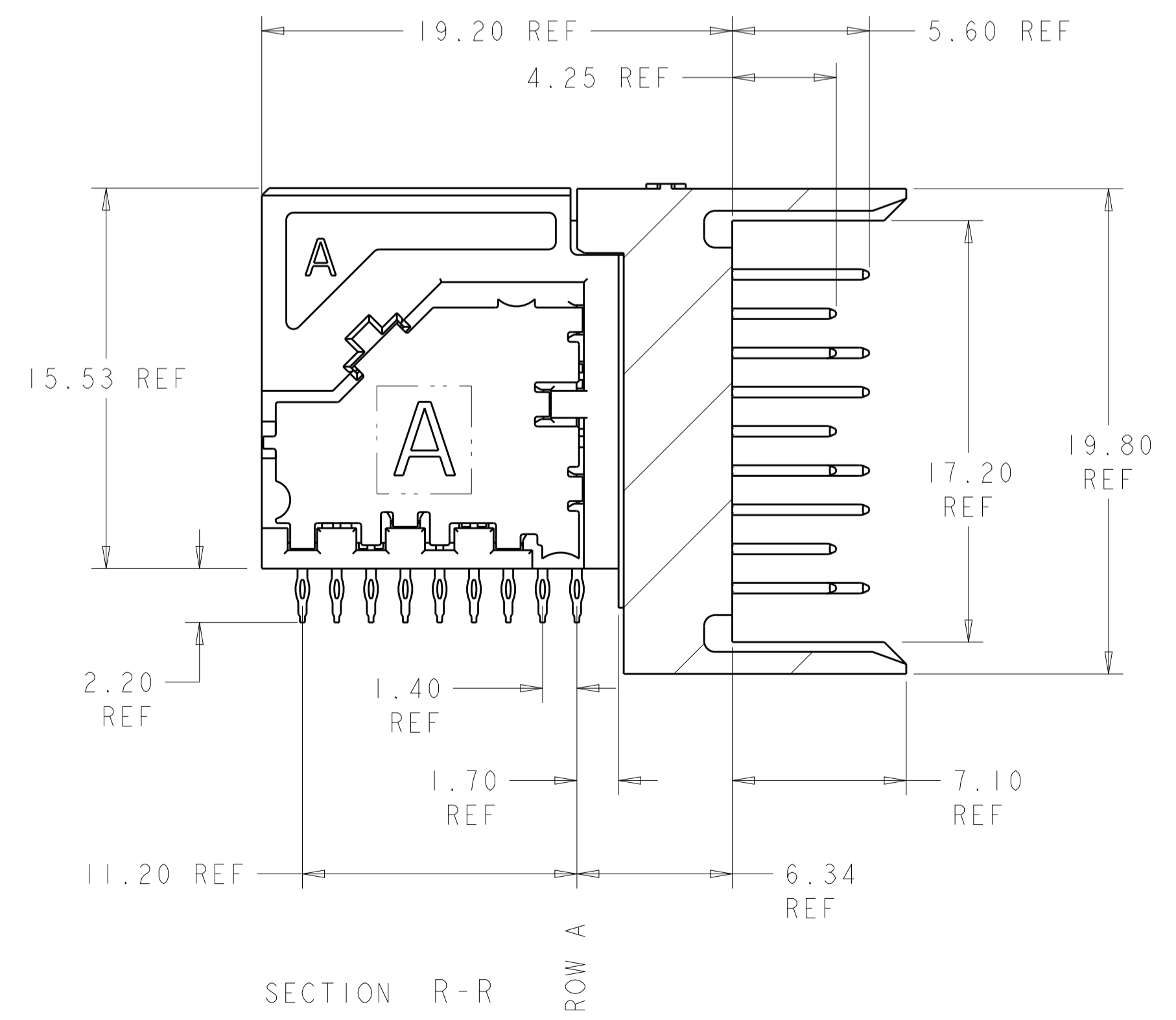
LOC		DIST		REVISIONS			
P	LTN	DESCRIPTION	DATE	DWN	APVD		
B		REV PER ECO 12-010940	2-29-12	CT	DH		
C		ECO-13-004755	26MAR2013	KG	DH		



○ = SIGNAL
⊗ = GROUND

RECOMMENDED PC BOARD LAYOUT
COMPONENT SIDE SHOWN
SCALE 8:1

- △ MATERIAL:
CONTACT AND SHIELD: COPPER ALLOY
HOUSING AND CHICKLET: LCP, COLOR: BLACK
- △ FINISH:
CONTACT: MATING AREA: 1.27µm MIN GOLD OVER
1.27µm MIN NICKEL
SHIELD: 1.27µm MIN NICKEL
- △ FINISH:
COMPLIANT PIN AREA: 0.38µm MIN BRIGHT TIN LEAD OVER
1.27µm MIN NICKEL
- △ FINISH:
COMPLIANT PIN AREA: 0.38µm MIN MATTE TIN OVER
1.27µm MIN NICKEL
- △ FINISH:
COMPLIANT PIN AREA: 0.38µm MIN GOLD OVER
1.27µm MIN NICKEL
- △ DIMENSION APPLIES TO CENTERLINE OF THRU HOLE.
- △ DATUMS AND BASIC DIMENSIONS ESTABLISHED BY CUSTOMER.
- △ REFERENCE APPLICATION SPEC 114-13267 FOR RECOMMENDED PLATED THRU HOLE DIAMETER AND PLATING THICKNESS.
- △ ALL GROUNDS IN ODD NUMBERED COLUMNS ARE COMMONED.
ALL GROUNDS IN EVEN NUMBERED COLUMNS, EXCEPT FOR ROW A ARE COMMONED.



△ 2 △ 5	2000890-3
△ 2 △ 4	2000890-2
△ 2 △ 3	2000890-1
FINISH	PART NUMBER

THIS DRAWING IS A CONTROLLED DOCUMENT. DIMENSIONING AND TOLERANCING PER GPS (ISO STANDARDS).

DWN: D. BELACK 24JUN2009
CHK: A. TSANG 6-24-2009
APVD: M. McALONIS 6-24-2009

PRODUCT SPEC: 108-2409
APPLICATION SPEC: 114-13267
WEIGHT: ~13.48g

Customer Drawing

SCALE: 5:1 SHEET: 1 OF 1 REV: C

STE TE Connectivity
Fortis Zd, 3-PAIR, 10-COLUMN, RIGHT ANGLE LEFT MODULE ASSEMBLY, DIFFERENTIAL PAIR

SIZE: A1 CAGE CODE: 2000890