

## KIT33984CEVBE Evaluation Board

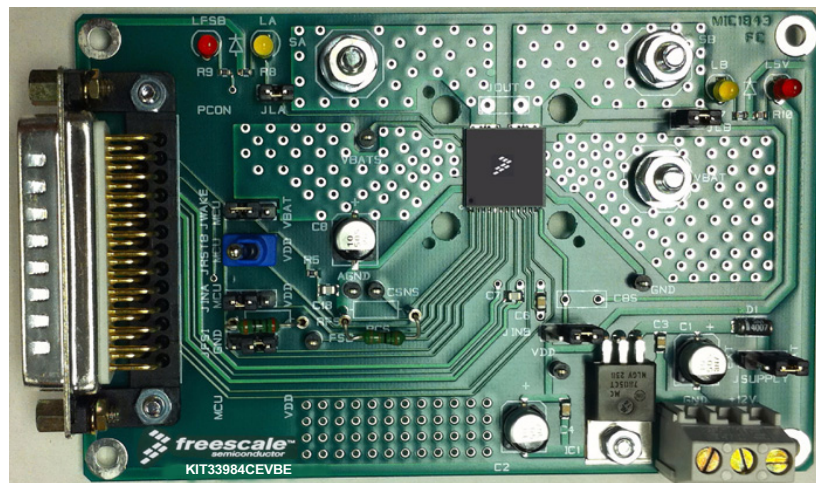


Figure 1. KIT33984CEVBE Evaluation Board

### Table of Contents

1 Kit Contents / Packing List .....	2
2 Important Notice .....	3
3 Introduction .....	4
4 Hardware Description .....	5
5 Jumper Connections .....	7
6 Schematic Drawing .....	8
7 KIT33984CEVBE Board Layout .....	9
8 Bill of Material .....	11
10 Revision History .....	13

# 1 Kit Contents / Packing List

- KIT33984CEVBE Evaluation Board (1)
- CD33984 (1)

## 2 Important Notice

Freescale provides the enclosed product(s) under the following conditions:

This evaluation kit is intended for use of ENGINEERING DEVELOPMENT OR EVALUATION PURPOSES ONLY. It is provided as a sample IC pre-soldered to a printed circuit board to make it easier to access inputs, outputs, and supply terminals. This EVB may be used with any development system or other source of I/O signals by simply connecting it to the host MCU or computer board via off-the-shelf cables. This EVB is not a Reference Design and is not intended to represent a final design recommendation for any particular application. Final device in an application will be heavily dependent on proper printed circuit board layout and heat sinking design as well as attention to supply filtering, transient suppression, and I/O signal quality.

The goods provided may not be complete in terms of required design, marketing, and or manufacturing related protective considerations, including product safety measures typically found in the end product incorporating the goods. Due to the open construction of the product, it is the user's responsibility to take any and all appropriate precautions with regard to electrostatic discharge. In order to minimize risks associated with the customers applications, adequate design and operating safeguards must be provided by the customer to minimize inherent or procedural hazards. For any safety concerns, contact Freescale sales and technical support services.

Should this evaluation kit not meet the specifications indicated in the kit, it may be returned within 30 days from the date of delivery and will be replaced by a new kit.

Freescale reserves the right to make changes without further notice to any products herein. Freescale makes no warranty, representation or guarantee regarding the suitability of its products for any particular purpose, nor does Freescale assume any liability arising out of the application or use of any product or circuit, and specifically disclaims any and all liability, including without limitation consequential or incidental damages. "Typical" parameters can and do vary in different applications and actual performance may vary over time. All operating parameters, including "Typical", must be validated for each customer application by customer's technical experts.

Freescale does not convey any license under its patent rights nor the rights of others. Freescale products are not designed, intended, or authorized for use as components in systems intended for surgical implant into the body, or other applications intended to support or sustain life, or for any other application in which the failure of the Freescale product could create a situation where personal injury or death may occur.

Should Buyer purchase or use Freescale products for any such unintended or unauthorized application, Buyer shall indemnify and hold Freescale and its officers, employees, subsidiaries, affiliates, and distributors harmless against all claims, costs, damages, and expenses, and reasonable attorney fees arising out of, directly or indirectly, any claim of personal injury or death associated with such unintended or unauthorized use, even if such claim alleges that Freescale was negligent regarding the design or manufacture of the part. Freescale™ and the Freescale logo are trademarks of Freescale Semiconductor, Inc. All other product or service names are the property of their respective owners. © Freescale Semiconductor, Inc., 2010. All rights reserved.

## 3 Introduction

### 3.1 EVB Features

- Dual 4.0m $\Omega$  max high side switch with parallel input or SPI control
- 6.0 to 27V operating voltage with standby currents < 5.0 mA
- Output current monitoring with two SPI-selectable current ratios
- SPI control of over-current limit, over-current fault blanking time, output-OFF open load detection, output ON/OFF control, watchdog time-out, slew rates, and fault status reporting
- SPI status reporting of over-current, open and shorted loads, over-temperature, under-voltage and over-voltage shutdown, fail-safe pin status, and program status
- Enhanced -16 V reverse polarity  $V_{PWR}$  protection

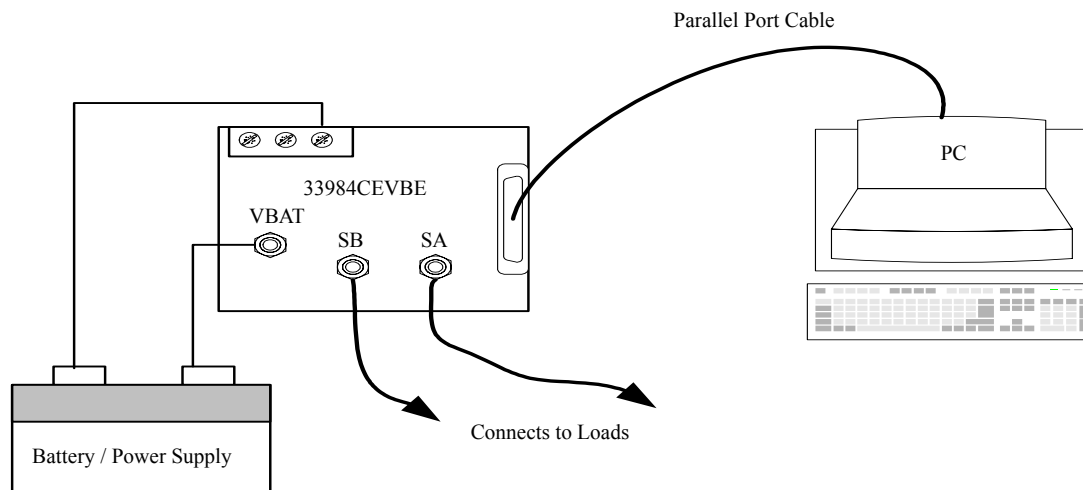
### 3.2 Required Equipment

- Parallel port-enabled computer with Windows XP (or later) operating system
- Parallel cable
- Alternative: USB-enabled computer with Windows XP (or later) operating system and Freescale's USB to SPI EVB Kit (reference: KITUSBSPIEVME)

## 4 Hardware Description

The hardware in this evaluation kit includes an 33984 evaluation board. The evaluation board has three major blocks: the circuit related to the 33984, the remote control and accessory simulator (SPI Gen) and the parallel cable. This section describes the above three blocks.

### 4.1 Using the EVB



**Warning:** Always wear Safety Glasses when working around electronic modules and when soldering.

Please remove of the capacitor, C8, when testing reverse supply voltage on VBAT. Also that the thermal resistance from junction to ambience of this PCB is approximately  $25^{\circ}/W$ .

1. The 33984 Evaluation card allows the customer to quickly evaluate features of the device with a simple bench top setup. All switch inputs may be evaluated using the onboard switch banks or actual system switches connected to the switch input edge connector.
2. Using a standard 25 pin Sub-D parallel port cable and the enclosed SPIGen SPI Driver software, you can use a personal computer to provide the Serial Peripheral Interface (SPI) communication with this EVB (see SETUP\_EVB).
3. Connect power supplies to the VBAT on the VBAT bolt. Connect GND, GNDBAT and +12 volt supply on connector X, EVB's power terminal. On board 5 volt regulator supply can be either supplied through VBAT or +12V by selecting the jumper JSUPPLY. Make sure the voltages provided are in accordance with the device data sheet and that the supply currents are sufficient to supply the attached loads. The led L5V should light up indicating the presence of 5 volt regulated supply. Move IC from reset state by shorting jumper JRSTB to 2-3 position (It short RSTB PIN to VDD).
4. Connect the desired loads to(e.g. relay coils, LEDs, or panel lamps) SB and SA bolt.
5. For direct control of SA, put jumper, JINA, at position 2-3. For direct control of SB, put jumper, JINB, at position 2-3. Disable watchdog placing a jumper at JFSI on position1-2 (shorting the PIN to GND) and not placing jumper on JWAKE. (Shorting PIN to GND). Led LA and LB should light up if jumper are placed on JLA and JLB.
6. To use SPIGen, Go to the Windows Start menu, then Programs, then SPIGen, and click on the SPIGen icon. The SPIGen "Generic SPI Generator" GUI will appear. Go to the File menu in the upper left hand corner of the GUI, and select Open, then browse the CD to find and select the

33984\_EVB\_CONFIGURATION\_FILE.spi. file for the KIT33984CEVBE. Click Open, and SPIGen will open a specifically configured SPI command generator for the KIT33984CEVBE. The configuration file will set all parameters for SPI signals from the PC and provide a list of commands that may be sent to the EVB.

7. To prepare the Evaluation card for SPIGen, Place jumper JINA, JINB, JRSTB, JWAKE to 1-2 position
8. To set up the 33984 device to read switch inputs the user may use the batch commands from the “Send a Batch of Commands” tab. In the “Send a Batch of Commands” window, the Full Initialize batch will appear. To send the batch of commands to the EVB, click the Send Once tab. To quickly evaluate the EVB and device, simply click on the “Send one Command at a Time” tab, select the switch status command from the Quick Commands list, and click the Send Continuous tab. The opening and closing of switches may now be seen on the Word Received bits window field. Refer to the device data sheet for detailed information on I/O communication and device operation.

## 5 Jumper Connections

Name	Description
JSUPPLY	The selection between 1-2 allows the supply regulation of the 5 volt from Battery while 2-3 allows independent supply.
Diode <b>D1</b> Capacitor <b>C8</b>	Diode protects against negative transients and reverse battery.  Removed when doing reverse battery test.
JWAKE	Allows wake up function of IC. 1-2 selection will give control through PCON. 2-3 selection is to wake up from battery voltage, i.e. in the case of ignition.
JINA	1-2 position: control through PCON to SPIGEN 2-3 position: shorting IN0 to VDD Floating: IN0 is short to ground
JINB	1-2 position: control through PCON to SPIGEN 2-3 position: shorting IN1 to VDD Floating: IN1 is short to ground
JRSTB	1-2 position: control through PCON to SPIGEN 2-3 position: Short RSTB to VDD Floating: RSTB is ground. This means that the IC is in reset mode
JFSI	1-2 position: Short JFSI to ground 2-3 position: Short RSTB to VDD Floating: JFSI is pulled to VDD
JLA	1-2 position: connect to led, LA. LA lights up when IN0 is pulled to VDD Floating: Not connected to LA.
JLB	1-2 position: connect to led, LB. LB lights up when IN1 is pulled to VDD Floating: Not connected to LB
Resistor <b>RCS</b> <b>RFSI</b>	Value to be change according. Value to be change according.
TEST POINTS CSNS-AGND	Several test points are present on the evaluation board to check some signals if necessary: To check the current recopy output

# 6 Schematic Drawing

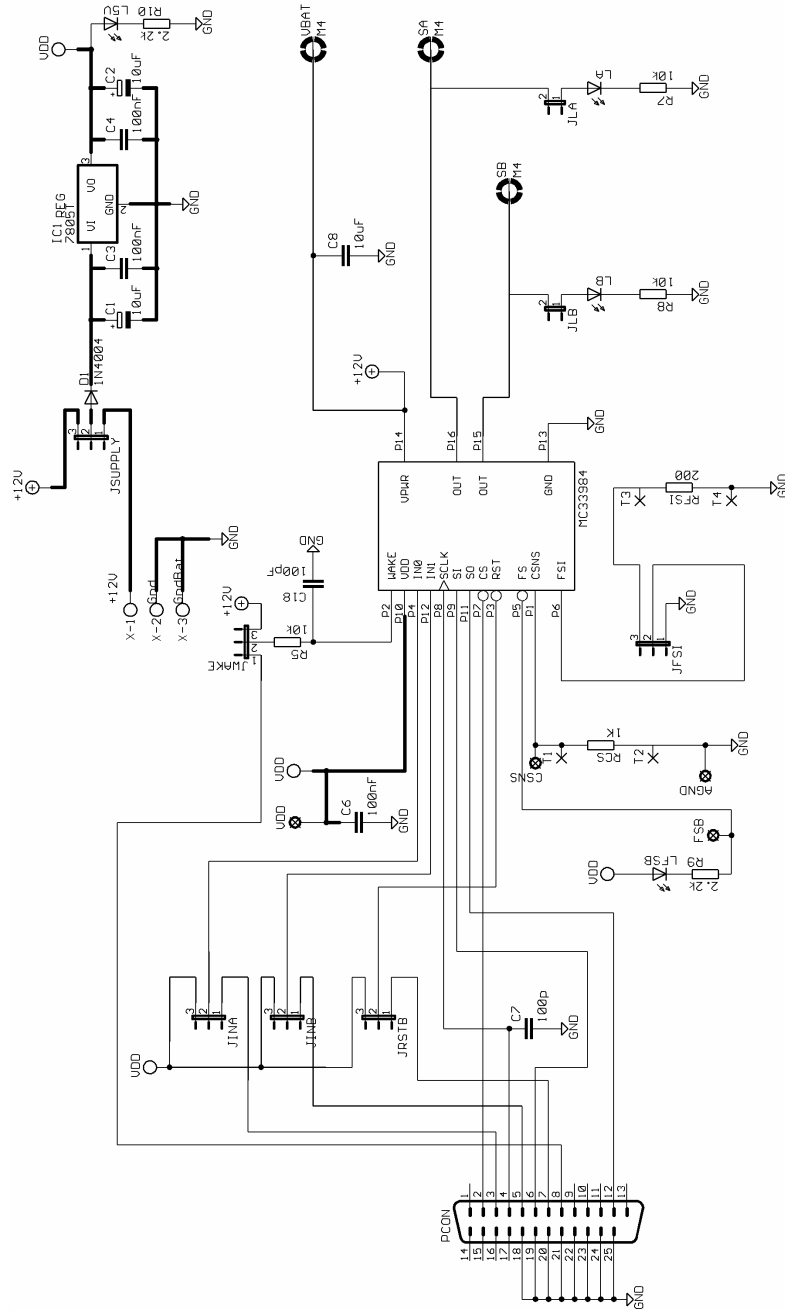


Figure 2. Evaluation Board Schematic



# 7 KIT33984CEVBE Board Layout

## 7.1 Assembly Drawing

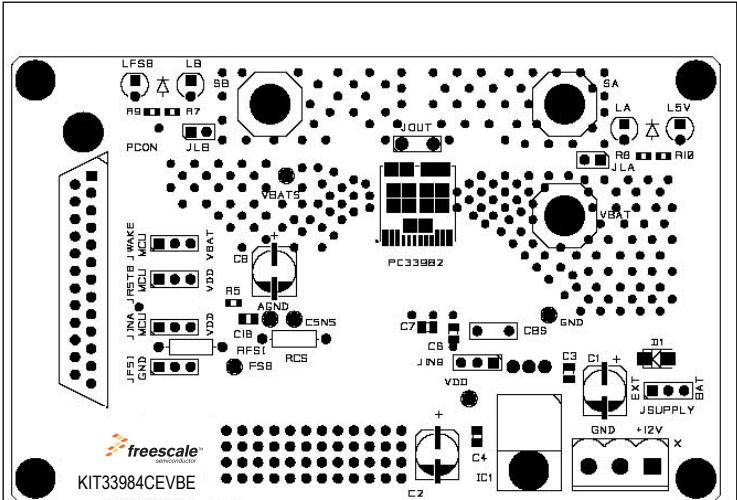


Figure 3. Assembly Drawing

## 7.2 Top Layer

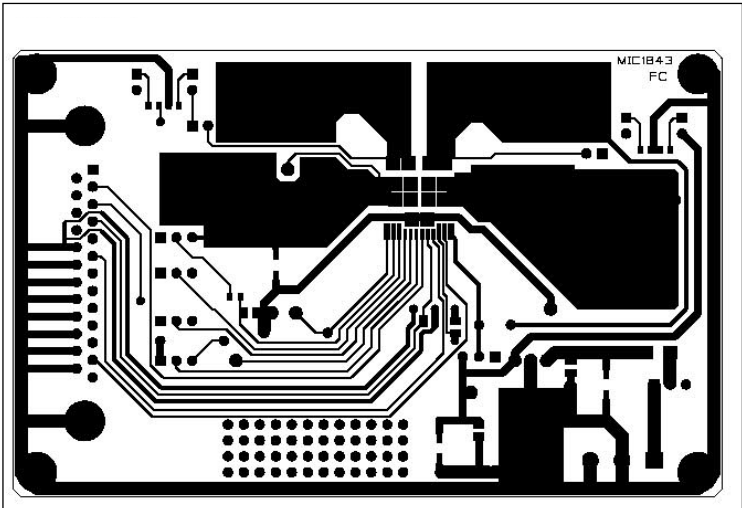


Figure 4. Top Layer

### 7.3 Bottom Layer

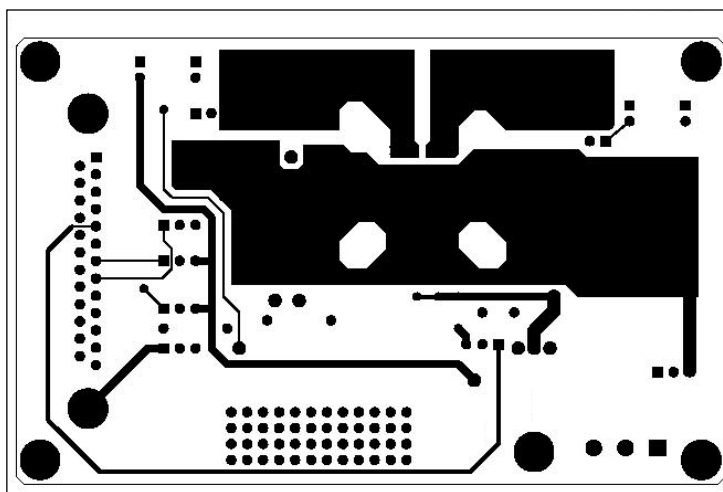


Figure 5. Bottom Layer

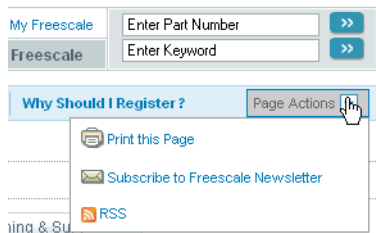
## 8 Bill of Material

Qty	PN	Ref. Des	Package	Description
1	MC33984CPNA	MC33984	PQFN	Dual 4mOhm Self Protected Silicon Switch
1	7805	REG	TO220	5V Regulator
3	ECEV1HA 100SP	C1, C2, C8	CMS D	10uF 50V Capacitor
3		C3, C4, C6	805	100nF 50 V Capacitor
2		C7, C18	805	100pF 50 V Capacitor
3		R5, R7, R8	603	10k 5% 0,1W Resistor
2		R9, R10	603	2k2 5%(or 2k7) Resistor
1		RCS	Thru hole NON-CMS	1k 1/4W 1% Resistor
1		RFSI	Thru hole NON-CMS	200 1/4W 5% Resistor
4	H3192		Thru hole	Connector to hold resistor RCS and RFSI
2	HLMP1719	LB, LA	Thru hole NON-CMS	2mA yellow leds
2	HLMP1700	LFSB, L5V	Thru hole NON-CMS	2mA red leds
1	MRA4007T3	D1	Boitier SMA	DIODE MRA4007 (equiv. 1N4007)
4	Type1 5001	FSB, CSNS, VDD, AGND		Test points for clip
1	MKDS 1,5/3-5,08	X	5,08mm	3 terminal Power connector standard 5,08mm
3		VBAT, SA, SB	etal with 4mm diameter	Screw connectors diam. 4mm +1 Nut + 2 washers each for power connection
1	DB25P564TX.	PCON	M25H	Connector, Sub D, series D, male, bent barb, to solder, 25 contacts
6	M7566-05	JINA, JINB, JSUPPLY, JFSI, JWAKE, JRSTB		JUMPER: 3 PINS + 1 jumper socket 2.54mm
2	M7566-05	JLA,JLB		JUMPER: 2 PINS + 1 jumper socket 2.54mm

Freescale does not assume liability, endorse, or warrant components from external manufacturers that are referenced in circuit drawings or tables. While Freescale offers component recommendations in this configuration, it is the customer's responsibility to validate their application

## 9 References

Following are URLs where you can obtain information on other Freescale products and application solutions:

Links
Product Summary Page
Freescale's Web Site
Freescale's Analog Web Site
Freescale's Automotive Applications Web Site
To obtain the most recent up-to-date information on this or any other device, subscribe to Freescales' Newsletter by selecting the Page Actions pull-down arrow: 

## 10 Revision History

REVISION	DATE	DESCRIPTION OF CHANGES
2.0	10/2010	<ul style="list-style-type: none"><li>Initial Release</li></ul>

## **How to Reach Us:**

### **Home Page:**

[www.freescale.com](http://www.freescale.com)

### **Web Support:**

<http://www.freescale.com/support>

### **USA/Europe or Locations Not Listed:**

Freescale Semiconductor, Inc.  
Technical Information Center, EL516  
2100 East Elliot Road  
Tempe, Arizona 85284  
1-800-521-6274 or +1-480-768-2130  
[www.freescale.com/support](http://www.freescale.com/support)

### **Europe, Middle East, and Africa:**

Freescale Halbleiter Deutschland GmbH  
Technical Information Center  
Schatzbogen 7  
81829 Muenchen, Germany  
+44 1296 380 456 (English)  
+46 8 52200080 (English)  
+49 89 92103 559 (German)  
+33 1 69 35 48 48 (French)  
[www.freescale.com/support](http://www.freescale.com/support)

### **Japan:**

Freescale Semiconductor Japan Ltd.  
Headquarters  
ARCO Tower 15F  
1-8-1, Shimo-Meguro, Meguro-ku,  
Tokyo 153-0064  
Japan  
0120 191014 or +81 3 5437 9125  
[support.japan@freescale.com](mailto:support.japan@freescale.com)

### **Asia/Pacific:**

Freescale Semiconductor China Ltd.  
Exchange Building 23F  
No. 118 Jianguo Road  
Chaoyang District  
Beijing 100022  
China  
+86 10 5879 8000  
[support.asia@freescale.com](mailto:support.asia@freescale.com)

### **For Literature Requests Only:**

Freescale Semiconductor Literature Distribution Center  
P.O. Box 5405  
Denver, Colorado 80217  
1-800-441-2447 or +1-303-675-2140  
Fax: +1-303-675-2150  
[LDCForFreescaleSemiconductor@hibbertgroup.com](mailto:LDCForFreescaleSemiconductor@hibbertgroup.com)

Information in this document is provided solely to enable system and software implementers to use Freescale Semiconductor products. There are no express or implied copyright licenses granted hereunder to design or fabricate any integrated circuits or integrated circuits based on the information in this document.

Freescale Semiconductor reserves the right to make changes without further notice to any products herein. Freescale Semiconductor makes no warranty, representation or guarantee regarding the suitability of its products for any particular purpose, nor does Freescale Semiconductor assume any liability arising out of the application or use of any product or circuit, and specifically disclaims any and all liability, including without limitation consequential or incidental damages. "Typical" parameters that may be provided in Freescale Semiconductor data sheets and/or specifications can and do vary in different applications and actual performance may vary over time. All operating parameters, including "Typicals", must be validated for each customer application by customer's technical experts. Freescale Semiconductor does not convey any license under its patent rights nor the rights of others. Freescale Semiconductor products are not designed, intended, or authorized for use as components in systems intended for surgical implant into the body, or other applications intended to support or sustain life, or for any other application in which the failure of the Freescale Semiconductor product could create a situation where personal injury or death may occur. Should Buyer purchase or use Freescale Semiconductor products for any such unintended or unauthorized application, Buyer shall indemnify and hold Freescale Semiconductor and its officers, employees, subsidiaries, affiliates, and distributors harmless against all claims, costs, damages, and expenses, and reasonable attorney fees arising out of, directly or indirectly, any claim of personal injury or death associated with such unintended or unauthorized use, even if such claim alleges that Freescale Semiconductor was negligent regarding the design or manufacture of the part.



Freescale™ and the Freescale logo are trademarks of Freescale Semiconductor, Inc. All other product or service names are the property of their respective owners.

© Freescale Semiconductor, Inc., 2010. All rights reserved.

KT33984UG  
Rev. 1.0  
10/2010