

MATERIALS AND FINISHES

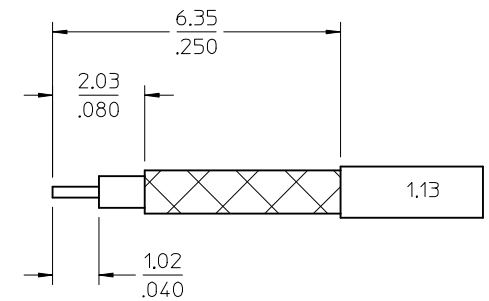
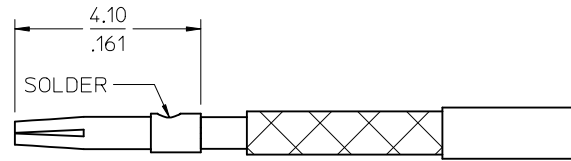
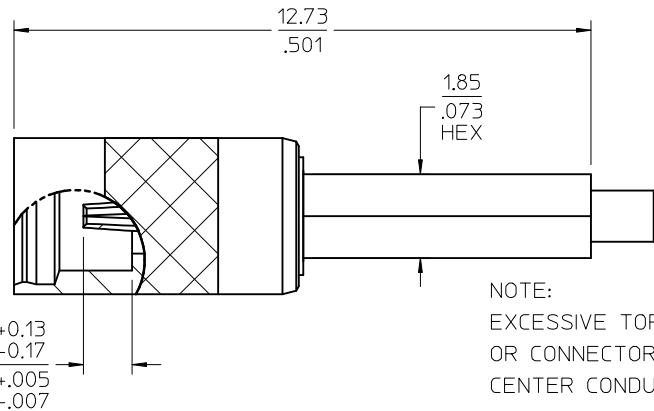
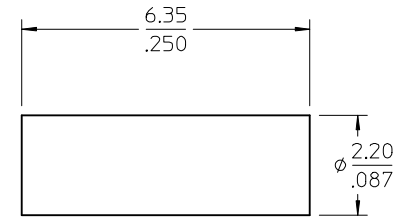
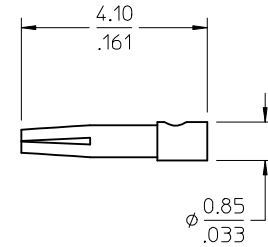
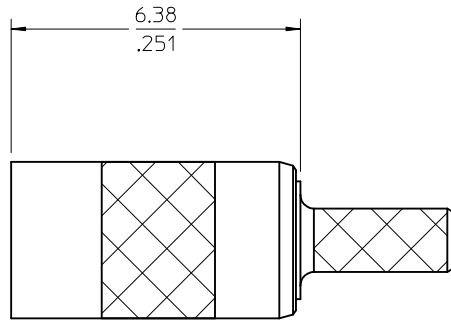
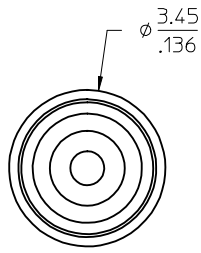
BODY: BRASS
PLATED GOLD

INSULATOR: TEFLON

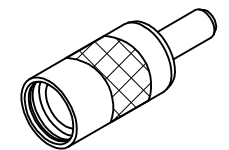
CONTACT: BERYLLIUM COPPER
PLATED GOLD

CRIMP TUBE: BRASS
SEE TABLE

MATING FORCE: 3.4 LBS MAX
UN-MATING FORCE: 1.0-3.0 LBS



NOTE:
EXCESSIVE TORQUE TO CABLE
OR CONNECTOR MAY DAMAGE CABLE
CENTER CONDUCTOR.



73415-3412	GOLD	1 PIECE 73415-3410 IN SINGLE BAG WITH LABEL
73415-3411	BLACK ZINC	BAG (200 PCS)
73415-3410	GOLD	BAG (500 PCS)
PART NO.	FINISH	PACKAGING

PS-89675-1920	PRODUCT SPECIFICATION
CECC-22-340	INTERFACE
SPECIFICATION	DESCRIPTION

CHG: -34/10/11 PACKAGING BAG WAS STD PER RF16-E192 EC NO: URF2017-0211 DRW:WME102 2016/11/28 CHKD: APPR:YCHENG 2016/12/08 REV:	QUALITY SYMBOLS	GENERAL TOLERANCES (UNLESS SPECIFIED)	DIMENSION STYLE	SCALE	DESIGN UNITS	THIRD ANGLE PROJECTION
	▼=0 ▽=0	mm INCH 4 PLACES ± --- ± --- 3 PLACES ± --- ± --- 2 PLACES ± --- ± --- 1 PLACE ± --- ± --- ANGULAR ± 2 °	MM/IN DRAWN BY DATE AROBERTSON 2011/04/04 CHECKED BY DATE SSS 2011/04/04 APPROVED BY DATE JWIENER 2011/04/15	TITLE	METRIC	◎ □ MOLEX INCORPORATED
K3		DRAFT WHERE APPLICABLE MUST REMAIN WITHIN DIMENSIONS	SEE TABLE	DOCUMENT NO.	SD-73415-341	

DRAWN BY DATE		TITLE	
AROBERTSON	2011/04/04	MMCX JACK STRAIGHT FOR 1.13 CABLE	
CHECKED BY DATE		MMCX-JC, EWR-4677	
SSS	2011/04/04	MOLEX INCORPORATED	
APPROVED BY DATE		MATERIAL NO.	
JWIENER	2011/04/15	SEE TABLE	
MATERIAL NO.		DOCUMENT NO.	
		SD-73415-341	
		SHEET NO. 1 OF 1	