

DETAILS

Product Number	CA13501_STRADA-T-DW
Family	Strada
Type	Assembly
Color	clear
Diameter	19,5 x 15,5 mm
Height	11,7 mm
Style	rectang
Optic Material	PMMA
Holder Material	
Fastening	tape, pin
Status	production ready
ROHS Compliant	Yes
Date Updated	21/09/2016



OPTICAL PROPERTIES

LED	Viewing Angle	Light Beam	Efficiency	cd/lm	Connector
XP-G2	sim: Asymmetric deg	Streetligh...	sim: 87 %	-	-
XT-E	sim: Asymmetric deg	Streetligh...	sim: 85 %	-	-
LUXEON T	sim: Asymmetric deg	Streetligh...	sim: 87 %	-	-
LUXEON TX	Asymmetric deg	Streetligh...	94 %	0.790	-
NVSxx19B/NVSxx19C	sim: Asym	Streetligh...	-	sim: 0.900	-
Fortimo FastFlex LED board 2x8/757 DS	Asymmetric deg	Streetligh...	91 %	0.820	-

D

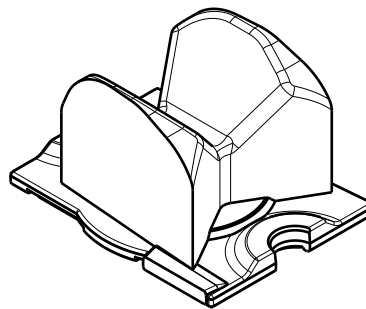
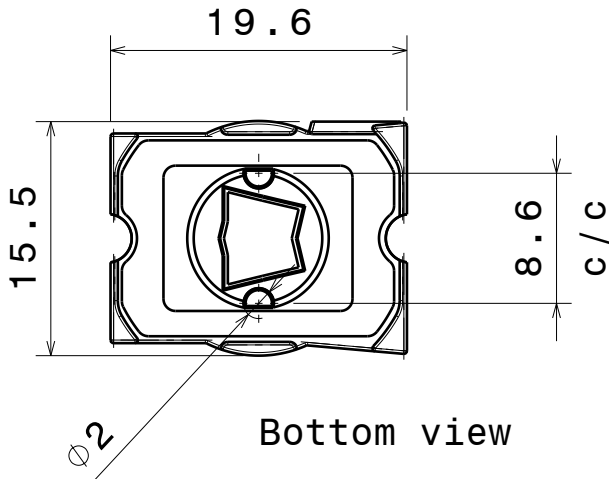
C

B

A

4

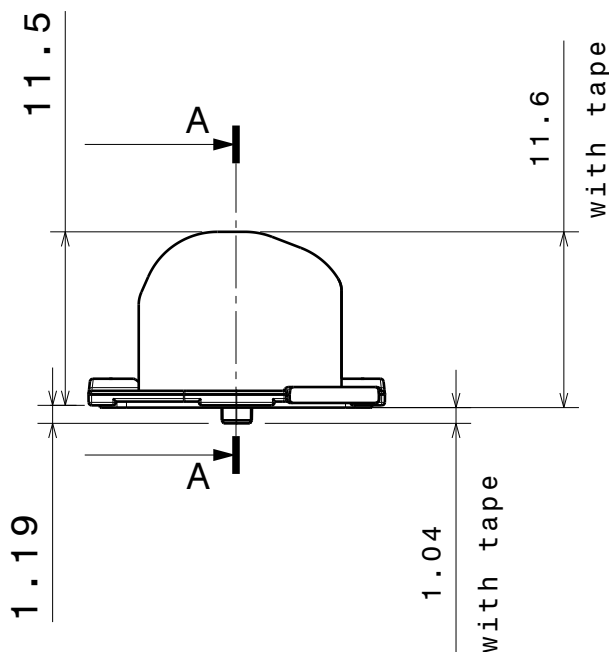
4



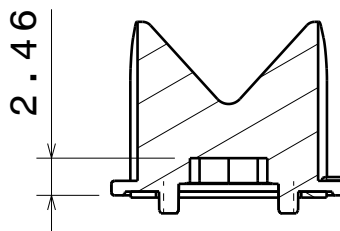
Isometric view

3

3



Front view



Section view A-A

2

2

Tolerances if not otherwise shown
According to DIN ISO 2768-1
Linear measures:
Up to 30mm class M, otherwise class C.
According to DIN ISO 2768-2
Form and position: class L



Ledil Oy
Salorankatu 10
FIN 24240 SALO
Finland

THIRD ANGLE PROJECTION:



DRAWING TITLE

STRADA - T - DW

This drawing is the property
of LEDiL Oy. It may not be
reproduced, copied or
communicated without a written
agreement with LEDiL Oy."

SIZE

PART NUMBER

A4

-

SCALE

2:1

WEIGHT

-

SHEET

1/1

1

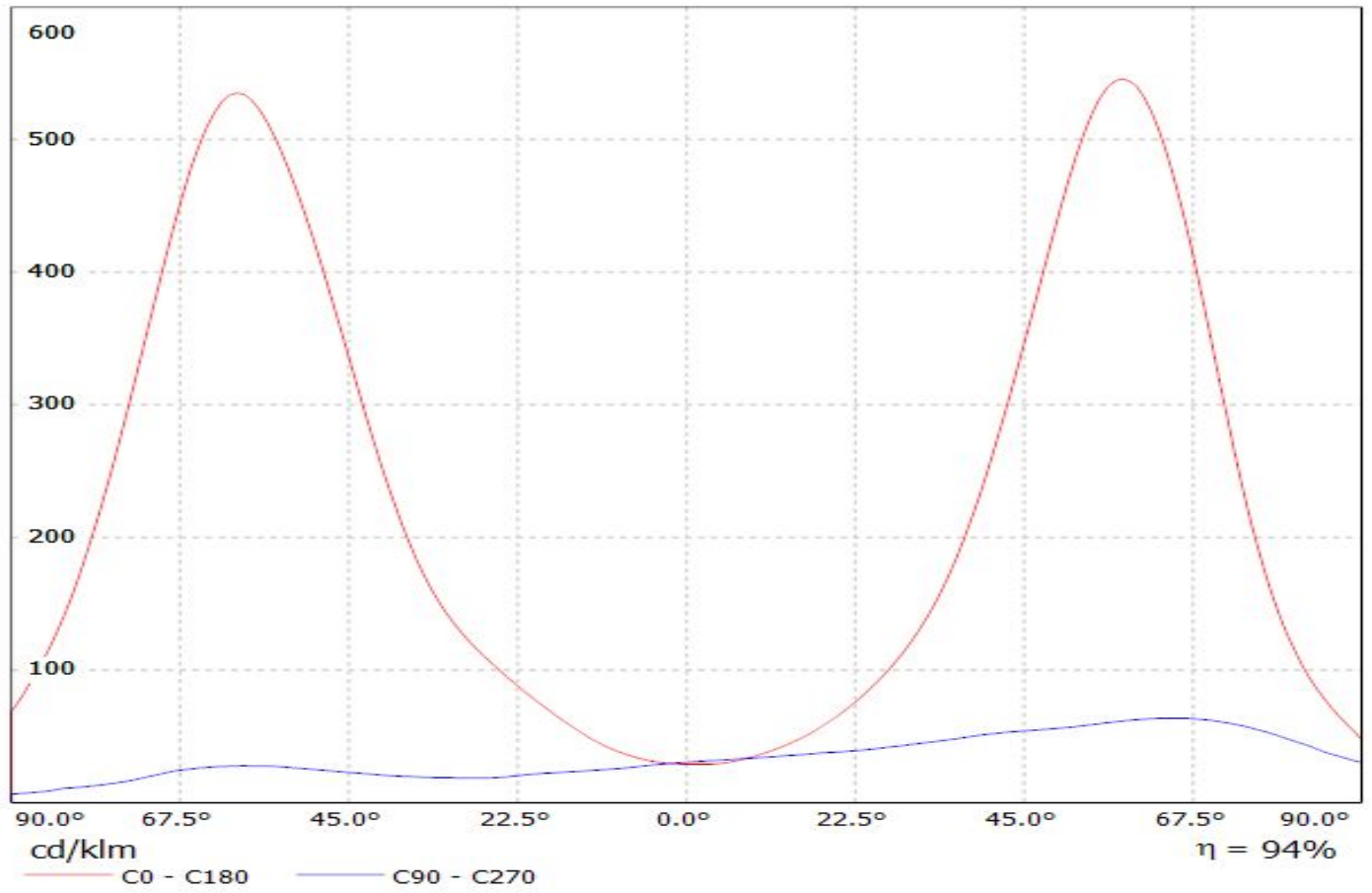
1

D

A

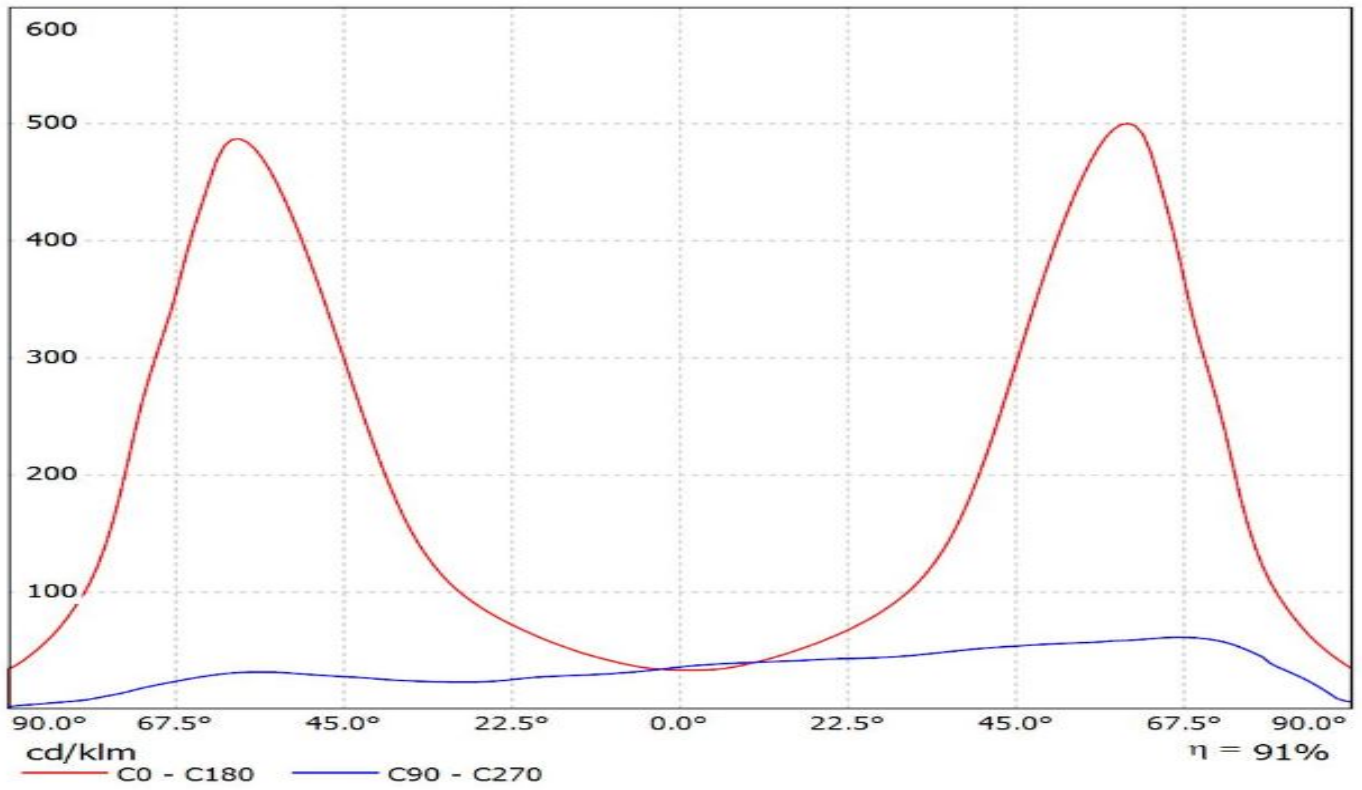
Luminaire: LEDiL Oy CA13501_STRADA-T-DW_(Luxeon_TX)

Lamps: 1 x Luxeon_TX_(L1T2-3585)_81.3157lm@250mA_CCT=3500K_P=0.742403W_I=249.9mA



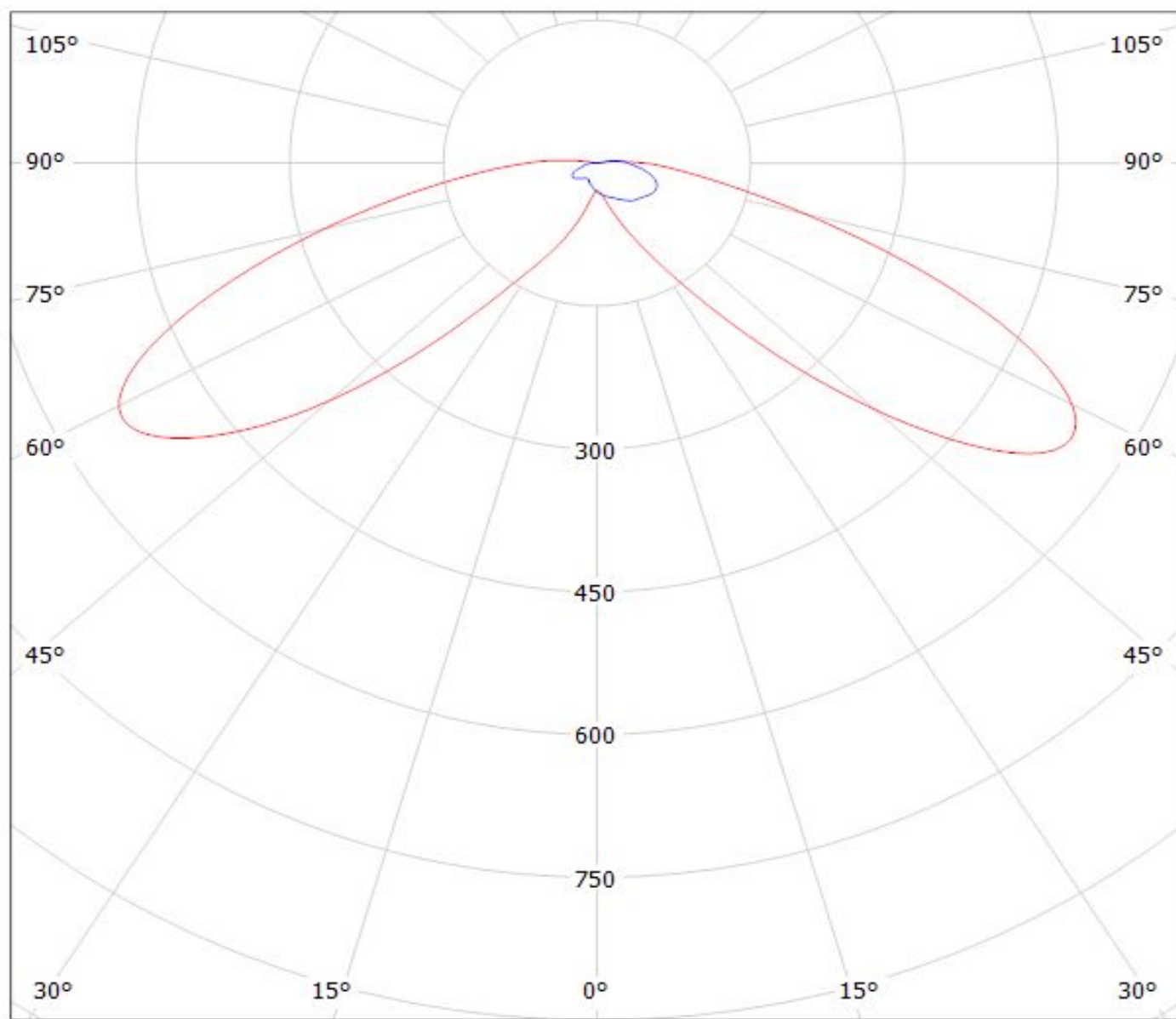
Ledil CA13501_STRADA-T-DW_(Fortimo_FastFlex_LED_board 2x8-757_DS_G3) / LDC (Linear)

Luminaire: Ledil CA13501_STRADA-T-DW_(Fortimo_FastFlex_LED_board 2x8-757_DS_G3)
Lamps: 1 x Philips_Fortimo_FastFlex_LED_board 2x8/757_DS_G3_(XP-G2)
_3428.78lm@500mA_P=23.7W_I=0.5A



Luminaire: LEDiL Oy CA13501_STRADA-T-DW_(Luxeon_TX)

Lamps: 1 x Luxeon_TX_(L1T2-3585)_81.3157lm@250mA_CCT=3500K_P=0.742403W_I=249.9mA



cd/klm

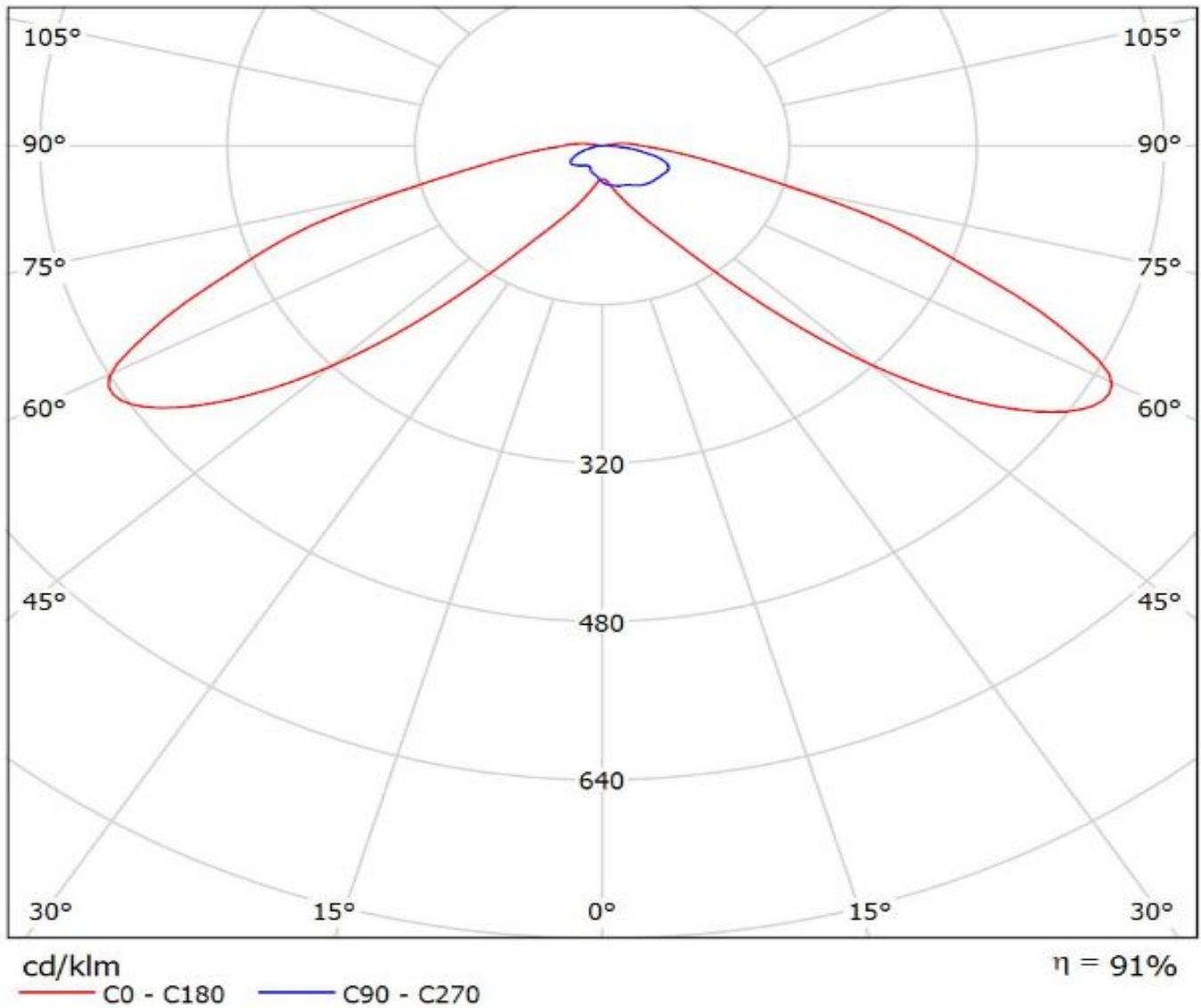
— C0 - C180

— C90 - C270

$\eta = 94\%$

**Ledil CA13501_STRADA-T-DW_(Fortimo_FastFlex_LED_board 2x8-757_DS_G3) /
LDC (Polar)**

Luminaire: Ledil CA13501_STRADA-T-DW_(Fortimo_FastFlex_LED_board 2x8-757_DS_G3)
Lamps: 1 x Philips_Fortimo_FastFlex_LED_board 2x8/757_DS_G3_(XP-G2)
_3428.78lm@500mA_P=23.7W_I=0.5A



NOTE: The typical divergence will be changed by different color, chip size and chip position tolerance. The typical total divergence is the full angle measured where the luminous intensity is half of the peak value.