

FEATURES

Correlated Double Sampler (CDS)
0 dB to 18 dB Pixel Gain Amplifier (PxGA®)
6 dB to 42 dB 10-Bit Variable Gain Amplifier (VGA)
10-Bit 25 MSPS A/D Converter
Black Level Clamp with Variable Level Control
Complete On-Chip Timing Driver
Precision Timing Core with 800 ps Resolution
On-Chip 3 V Horizontal and RG Drivers
40-Lead LFCSP Package

APPLICATIONS

Digital Still Cameras
High Speed Digital Imaging Applications

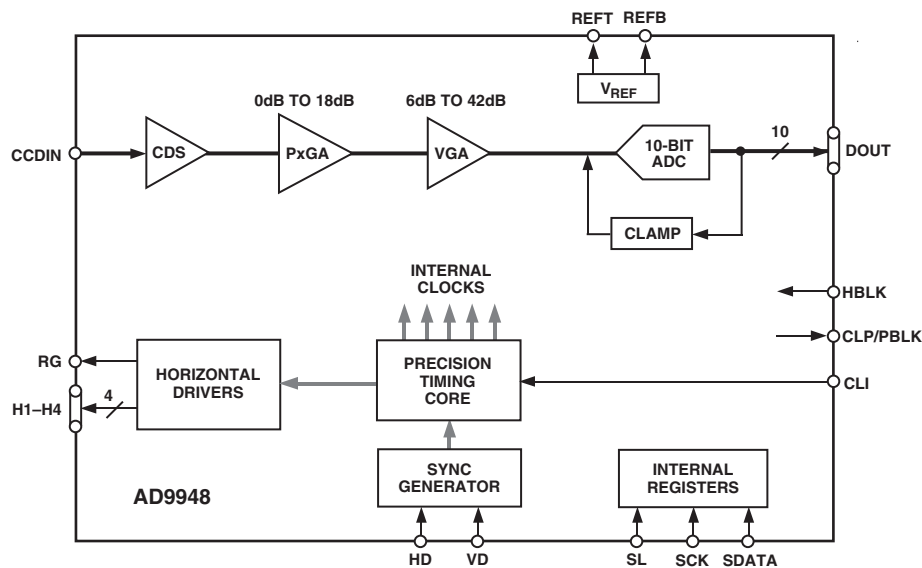
GENERAL DESCRIPTION

The AD9948 is a highly integrated CCD signal processor for digital still camera applications. Specified at pixel rates of up to 25 MHz, the AD9948 consists of a complete analog front end with A/D conversion, combined with a programmable timing driver. The Precision Timing core allows adjustment of high speed clocks with 800 ps resolution.

The analog front end includes black level clamping, CDS, PxGA, VGA, and a 25 MHz 10-bit A/D converter. The timing driver provides the high speed CCD clock drivers for RG and H1–H4. Operation is programmed using a 3-wire serial interface.

Packaged in a space-saving 40-lead LFCSP package, the AD9948 is specified over an operating temperature range of -20°C to $+85^{\circ}\text{C}$.

FUNCTIONAL BLOCK DIAGRAM



REV. 0

Information furnished by Analog Devices is believed to be accurate and reliable. However, no responsibility is assumed by Analog Devices for its use, nor for any infringements of patents or other rights of third parties that may result from its use. No license is granted by implication or otherwise under any patent or patent rights of Analog Devices. Trademarks and registered trademarks are the property of their respective companies.

AD9948* PRODUCT PAGE QUICK LINKS

Last Content Update: 02/23/2017

COMPARABLE PARTS

View a parametric search of comparable parts.

DOCUMENTATION

Data Sheet

- AD9948: 10-Bit CCD Signal Processor with *Precision Timing*[™] Core Data Sheet

REFERENCE MATERIALS

Technical Articles

- MS-2210: Designing Power Supplies for High Speed ADC

DESIGN RESOURCES

- AD9948 Material Declaration
- PCN-PDN Information
- Quality And Reliability
- Symbols and Footprints

DISCUSSIONS

View all AD9948 EngineerZone Discussions.

SAMPLE AND BUY

Visit the product page to see pricing options.

TECHNICAL SUPPORT

Submit a technical question or find your regional support number.

DOCUMENT FEEDBACK

Submit feedback for this data sheet.

AD9948—SPECIFICATIONS

GENERAL SPECIFICATIONS

| Parameter | Min | Typ | Max | Unit |
|---|-----|-----|------|------|
| TEMPERATURE RANGE | | | | |
| Operating | -20 | | +85 | °C |
| Storage | -65 | | +150 | °C |
| MAXIMUM CLOCK RATE | 25 | | | MHz |
| POWER SUPPLY VOLTAGE | | | | |
| AVDD, TCVDD (AFE, Timing Core) | 2.7 | 3.0 | 3.6 | V |
| HVDD (H1–H4 Drivers) | 2.7 | 3.0 | 3.6 | V |
| RGVDD (RG Driver) | 2.7 | 3.0 | 3.6 | V |
| DRVDD (D0–D9 Drivers) | 2.7 | 3.0 | 3.6 | V |
| DVDD (All Other Digital) | 2.7 | 3.0 | 3.6 | V |
| POWER DISSIPATION | | | | |
| 25 MHz, HVDD = RGVDD = 3 V, 100 pF H1–H4 Loading* | | 220 | | mW |
| Total Shutdown Mode | | 1 | | mW |

*The total power dissipated by the HVDD supply may be approximated using the equation

$$\text{Total HVDD Power} = (C_{LOAD} \times HVDD \times \text{Pixel Frequency}) \times HVDD \times (\text{Number of H - Outputs Used})$$

Reducing the H-loading, using only two of the outputs, and/or using a lower HVDD supply will reduce the power dissipation.

Specifications subject to change without notice.

DIGITAL SPECIFICATIONS (T_{MIN} to T_{MAX} , AVDD = DVDD = DRVDD = HVDD = RGVDD = 2.7 V, C_L = 20 pF, unless otherwise noted.)

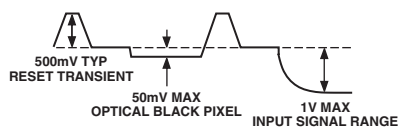
| Parameter | Symbol | Min | Typ | Max | Unit |
|---|--------------|------|-----|------|------|
| LOGIC INPUTS | | | | | |
| High Level Input Voltage | V_{IH} | 2.1 | | | V |
| Low Level Input Voltage | V_{IL} | | | 0.6 | V |
| High Level Input Current | I_{IH} | | 10 | | μA |
| Low Level Input Current | I_{IL} | | 10 | | μA |
| Input Capacitance | C_{IN} | | 10 | | pF |
| LOGIC OUTPUTS | | | | | |
| High Level Output Voltage, $I_{OH} = 2$ mA | V_{OH} | 2.2 | | | V |
| Low Level Output Voltage, $I_{OL} = 2$ mA | V_{OL} | | | 0.5 | V |
| CLI INPUT | | | | | |
| High Level Input Voltage (TCVDD/2 + 0.5 V) | V_{IH-CLI} | 1.85 | | | V |
| Low Level Input Voltage | V_{IL-CLI} | | | 0.85 | V |
| RG AND H-DRIVER OUTPUTS | | | | | |
| High Level Output Voltage (RGVDD – 0.5 V and HVDD – 0.5 V) | V_{OH} | 2.2 | | | V |
| Low Level Output Voltage | V_{OL} | | | 0.5 | V |
| Maximum Output Current (Programmable) | | | 30 | | mA |
| Maximum Load Capacitance | | 100 | | | pF |

Specifications subject to change without notice.

ANALOG SPECIFICATIONS (T_{MIN} to T_{MAX} , $AVDD = DVDD = 3.0\text{ V}$, $f_{CLK} = 25\text{ MHz}$, Typical Timing Specifications, unless otherwise noted.)

| Parameter | Min | Typ | Max | Unit | Notes |
|--|------|------------|------|---------|--|
| CDS | | | | | |
| Gain | | 0 | | dB | |
| Allowable CCD Reset Transient* | | 500 | | mV | |
| Max Input Range before Saturation* | 1.0 | | | V p-p | |
| Max CCD Black Pixel Amplitude* | | ±50 | | mV | |
| PIXEL GAIN AMPLIFIER (PxGA) | | | | | |
| Gain Control Resolution | | 256 | | Steps | |
| Gain Monotonicity | | | | | |
| Min Gain | | 0 | | dB | |
| Max Gain | | 18 | | dB | |
| VARIABLE GAIN AMPLIFIER (VGA) | | | | | |
| Max Input Range | 1.0 | | | V p-p | |
| Max Output Range | 2.0 | | | V p-p | |
| Gain Control Resolution | | 1024 | | Steps | |
| Gain Monotonicity | | Guaranteed | | | |
| Gain Range | | | | | |
| Min Gain (VGA Code 0) | | 6 | | dB | |
| Max Gain (VGA Code 1023) | | 42 | | dB | |
| BLACK LEVEL CLAMP | | | | | |
| Clamp Level Resolution | | 256 | | Steps | Measured at ADC output |
| Clamp Level | | | | | |
| Min Clamp Level (0) | | 0 | | LSB | |
| Max Clamp Level (255) | | 63.75 | | LSB | |
| A/D CONVERTER | | | | | |
| Resolution | 10 | | | Bits | |
| Differential Nonlinearity (DNL) | -1.0 | ±0.5 | +1.0 | LSB | |
| No Missing Codes | | Guaranteed | | | |
| Full-Scale Input Voltage | | 2.0 | | V | |
| VOLTAGE REFERENCE | | | | | |
| Reference Top Voltage (REFT) | | 2.0 | | V | |
| Reference Bottom Voltage (REFB) | | 1.0 | | V | |
| SYSTEM PERFORMANCE | | | | | Specifications include entire signal chain |
| VGA Gain Accuracy | | | | | |
| Min Gain (Code 0) | 5.0 | 5.5 | 6.0 | dB | 12 dB gain applied AC grounded input, 6 dB gain applied |
| Max Gain (Code 1023) | 40.5 | 41.5 | 42.5 | dB | |
| Peak Nonlinearity, 500 mV Input Signal | | 0.2 | | % | |
| Total Output Noise | | 0.25 | | LSB rms | |
| Power Supply Rejection (PSR) | | 50 | | dB | Measured with step change on supply |

*Input signal characteristics defined as follows:



Specifications subject to change without notice.

AD9948

TIMING SPECIFICATIONS ($C_L = 20$ pF, $f_{CLK} = 25$ MHz, Serial Timing in Figure 3, unless otherwise noted.)

| Parameter | Symbol | Min | Typ | Max | Unit |
|--|--------------|-----|-----|-----|--------|
| MASTER CLOCK (CLI) (See Figure 4) | | | | | |
| CLI Clock Period | t_{CLI} | 40 | | | ns |
| CLI High/Low Pulsewidth | t_{ADC} | 16 | 20 | 24 | ns |
| Delay from CLI to Internal Pixel Period Position | t_{CLIDLy} | | 6 | | ns |
| CLPOB Pulsewidth (Programmable)* | t_{COB} | 2 | 20 | | Pixels |
| SAMPLE CLOCKS (See Figure 6) | | | | | |
| SHP Rising Edge to SHD Rising Edge | t_{S1} | 17 | 20 | | ns |
| DATA OUTPUTS (See Figures 7a and 7b) | | | | | |
| Output Delay From Programmed Edge | t_{OD} | | 6 | | ns |
| Pipeline Delay | | | 11 | | Cycles |
| SERIAL INTERFACE | | | | | |
| Maximum SCK Frequency | f_{SCLK} | 10 | | | MHz |
| SL to SCK Setup Time | t_{LS} | 10 | | | ns |
| SCK to SL Hold Time | t_{LH} | 10 | | | ns |
| SDATA Valid to SCK Rising Edge Setup | t_{DS} | 10 | | | ns |
| SCK Falling Edge to SDATA Valid Hold | t_{DH} | 10 | | | ns |
| SCK Falling Edge to SDATA Valid Read | t_{DV} | 10 | | | ns |

*Minimum CLPOB pulsewidth is for functional operation only. Wider typical pulses are recommended to achieve low noise clamp reference. Specifications subject to change without notice.

ABSOLUTE MAXIMUM RATINGS*

| Parameter | With Respect To | Min | Max | Unit |
|---------------------------|-----------------|------|-------------|------|
| AVDD, TCVD | AVSS | -0.3 | +3.9 | V |
| HVDD, RGVDD | HVSS, RGVSS | -0.3 | +3.9 | V |
| DVDD, DRVDD | DVSS, DRVSS | -0.3 | +3.9 | V |
| Any VSS | Any VSS | -0.3 | +0.3 | V |
| Digital Outputs | DRVSS | -0.3 | DRVDD + 0.3 | V |
| CLPOB/PBLK, HBLK | DVSS | -0.3 | DVDD + 0.3 | V |
| SCK, SL, SDATA | DVSS | -0.3 | DVDD + 0.3 | V |
| RG | RGVSS | -0.3 | RGVDD + 0.3 | V |
| H1-H4 | HVSS | -0.3 | HVDD + 0.3 | V |
| REFT, REFB, CCDIN | AVSS | -0.3 | AVDD + 0.3 | V |
| Junction Temperature | | | 150 | °C |
| Lead Temperature (10 sec) | | | 300 | °C |

*Stresses above those listed under Absolute Maximum Ratings may cause permanent damage to the device. This is a stress rating only; functional operation of the device at these or any other conditions above those listed in the operational sections of this specification is not implied. Exposure to absolute maximum rating conditions for extended periods may affect device reliability.

ORDERING GUIDE

| Model | Temperature Range | Package Description | Package Option |
|---------------|-------------------|---------------------|----------------|
| AD9948KCP | -20°C to +85°C | LFCSP | CP-40 |
| AD9948KCPRL | -20°C to +85°C | LFCSP | CP-40 |
| AD9948KCPZ* | -20°C to +85°C | LFCSP | CP-40 |
| AD9948KCPZRL* | -20°C to +85°C | LFCSP | CP-40 |

*This is a lead free product.

CAUTION

ESD (electrostatic discharge) sensitive device. Electrostatic charges as high as 4000 V readily accumulate on the human body and test equipment and can discharge without detection. Although the AD9948 features proprietary ESD protection circuitry, permanent damage may occur on devices subjected to high energy electrostatic discharges. Therefore, proper ESD precautions are recommended to avoid performance degradation or loss of functionality.

THERMAL CHARACTERISTICS

Thermal Resistance

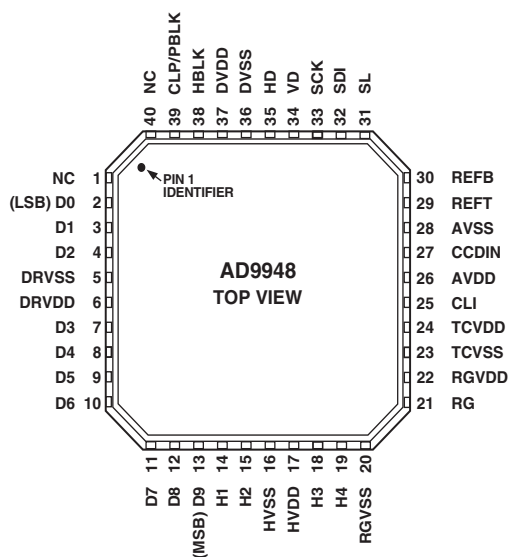
40-Lead LFCSP Package

$$\theta_{JA} = 27^{\circ}\text{C}/\text{W}^*$$

* θ_{JA} is measured using a 4-layer PCB with the exposed paddle soldered to the board.



PIN CONFIGURATION



PIN FUNCTION DESCRIPTIONS

| Pin No. | Mnemonic | Type* | Description |
|---------|----------|-------|--|
| 2-4 | D0-D2 | DO | Data Outputs (D0 is LSB) |
| 5 | DRVSS | P | Digital Driver Ground |
| 6 | DRVDD | P | Digital Driver Supply |
| 7-13 | D3-D9 | DO | Data Outputs (D9 is MSB) |
| 14 | H1 | DO | CCD Horizontal Clock 1 |
| 15 | H2 | DO | CCD Horizontal Clock 2 |
| 16 | HVSS | P | H1-H4 Driver Ground |
| 17 | HVDD | P | H1-H4 Driver Supply |
| 18 | H3 | DO | CCD Horizontal Clock 3 |
| 19 | H4 | DO | CCD Horizontal Clock 4 |
| 20 | RGVSS | P | RG Driver Ground |
| 21 | RG | DO | CCD Reset Gate Clock |
| 22 | RGVDD | P | RG Driver Supply |
| 23 | TCVSS | P | Analog Ground for Timing Core |
| 24 | TCVDD | P | Analog Supply for Timing Core |
| 25 | CLI | DI | Master Clock Input |
| 26 | AVDD | P | Analog Supply for AFE |
| 27 | CCDIN | AI | Analog Input for CCD Signal (Connect through Series 0.1 μ F Capacitor) |
| 28 | AVSS | P | Analog Ground for AFE |
| 29 | REFT | AO | Reference Top Decoupling (Decouple with 1.0 μ F to AVSS) |
| 30 | REFB | AO | Reference Bottom Decoupling (Decouple with 1.0 μ F to AVSS) |
| 31 | SL | DI | 3-Wire Serial Load |
| 32 | SDI | DI | 3-Wire Serial Data Input |
| 33 | SCK | DI | 3-Wire Serial Clock |
| 34 | VD | DI | Vertical Sync Pulse |
| 35 | HD | DI | Horizontal Sync Pulse |
| 36 | DVSS | P | Digital Ground |
| 37 | DVDD | P | Digital Supply |
| 38 | HBLK | DI | Optional HBLK Input |
| 39 | CLP/PBLK | DO | CLPOB or PBLK Output |
| 1, 40 | NC | | Not Internally Connected |

*Type: AI = Analog Input, AO = Analog Output, DI = Digital Input, DO = Digital Output, P = Power.

AD9948

TERMINOLOGY

Differential Nonlinearity (DNL)

An ideal ADC exhibits code transitions that are exactly 1 LSB apart. DNL is the deviation from this ideal value. Thus every code must have a finite width. No missing codes guaranteed to 10-bit resolution indicates that all 1024 codes, respectively, must be present over all operating conditions.

Peak Nonlinearity

Peak nonlinearity, a full signal chain specification, refers to the peak deviation of the output of the AD9948 from a true straight line. The point used as zero scale occurs 0.5 LSB before the first code transition. Positive full scale is defined as a level 1 LSB and 0.5 LSB beyond the last code transition. The deviation is measured from the middle of each particular output code to the true straight line. The error is then expressed as a percentage of the 2 V ADC full-scale signal. The input signal is always appropriately gained up to fill the ADC's full-scale range.

Total Output Noise

The rms output noise is measured using histogram techniques. The standard deviation of the ADC output codes is calculated in LSB, and represents the rms noise level of the total signal chain at the specified gain setting. The output noise can be converted to an equivalent voltage, using the relationship

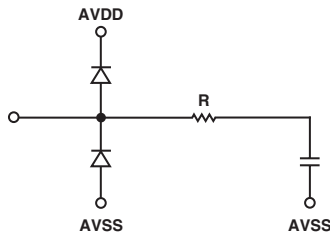
$$1 \text{ LSB} = (\text{ADC full scale} / 2^n \text{ codes})$$

where n is the bit resolution of the ADC. For the AD9948, 1 LSB is approximately 1.95 mV.

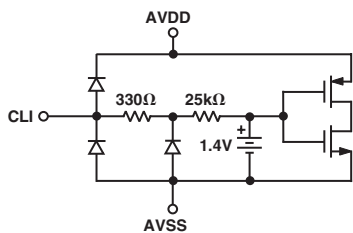
Power Supply Rejection (PSR)

The PSR is measured with a step change applied to the supply pins. The PSR specification is calculated from the change in the data outputs for a given step change in the supply voltage.

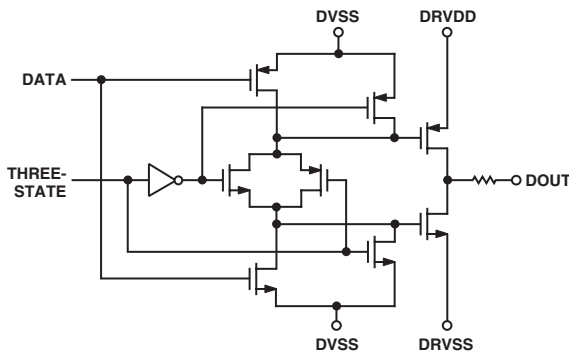
EQUIVALENT CIRCUITS



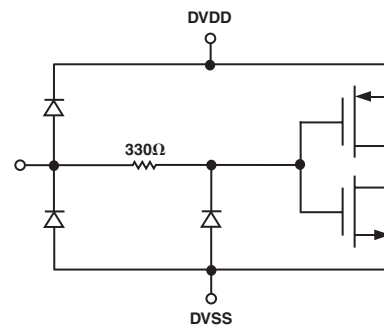
Circuit 1. CCDIN (Pin 27)



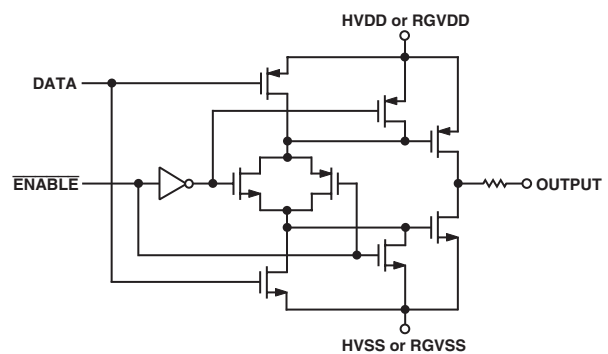
Circuit 2. CLI (Pin 25)



Circuit 3. Data Outputs D0-D9 (Pins 2-4, 7-13)

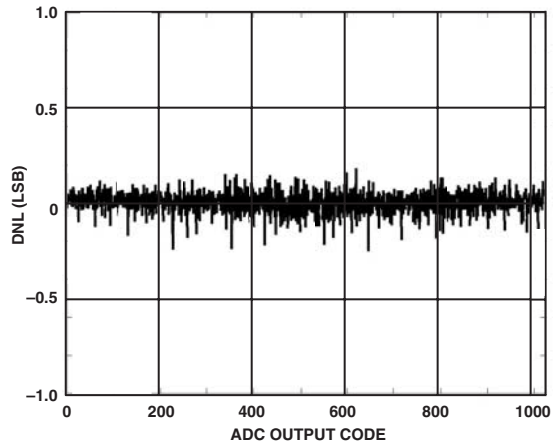


Circuit 4. Digital Inputs (Pins 31-35, 38)

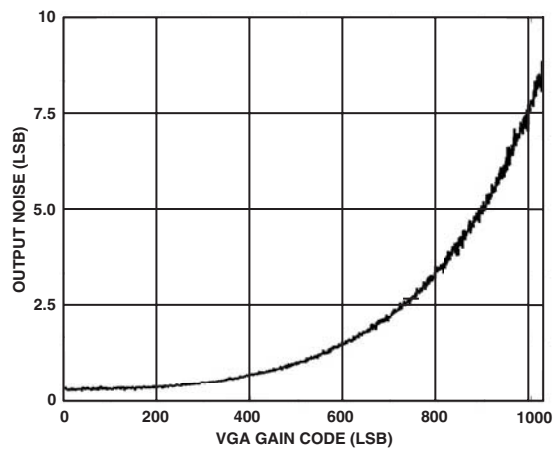


Circuit 5. H1-H4 and RG (Pins 14, 15, 18, 19, 21)

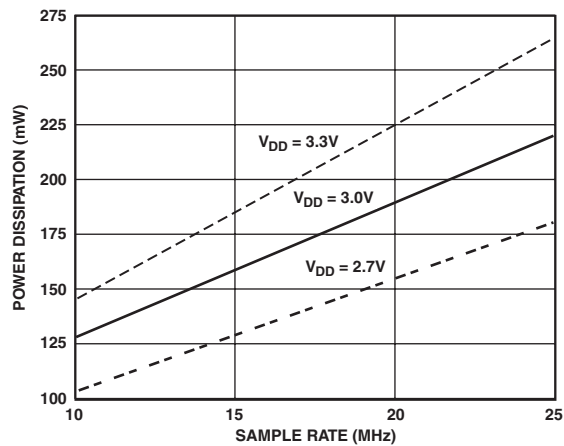
Typical Performance Characteristics—AD9948



TPC 1. Typical DNL



TPC 2. Output Noise vs. VGA Gain



TPC 3. Power Curves

AD9948

SYSTEM OVERVIEW

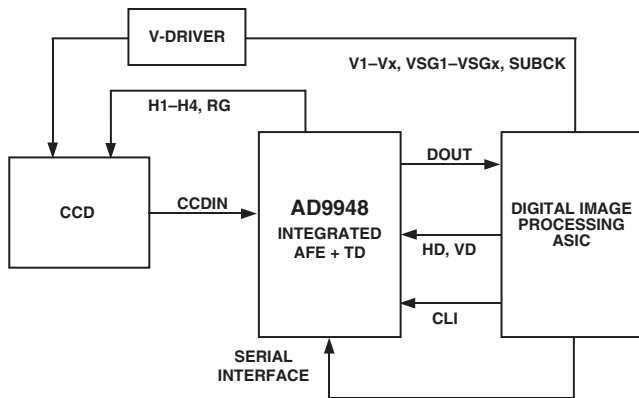


Figure 1. Typical Application

Figure 1 shows the typical system application diagram for the AD9948. The CCD output is processed by the AD9948's AFE circuitry, which consists of a CDS, a PxGA, a VGA, a black level clamp, and an A/D converter. The digitized pixel information is sent to the digital image processor chip, where all postprocessing and compression occurs. To operate the CCD, CCD timing parameters are programmed into the AD9948 from the image processor through the 3-wire serial interface. From the system master clock, CLI, provided by the image processor, the AD9948

generates the high speed CCD clocks and all internal AFE clocks. All AD9948 clocks are synchronized with VD and HD. All of the AD9948's horizontal pulses (CLPOB, PBLK, and HBLK) are programmed and generated internally.

The H-drivers for H1-H4 and RG are included in the AD9948, allowing these clocks to be connected directly to the CCD. H-drive voltage of 3 V is supported in the AD9948.

Figure 2a shows the horizontal and vertical counter dimensions for the AD9948. All internal horizontal clocking is programmed using these dimensions to specify line and pixel locations.

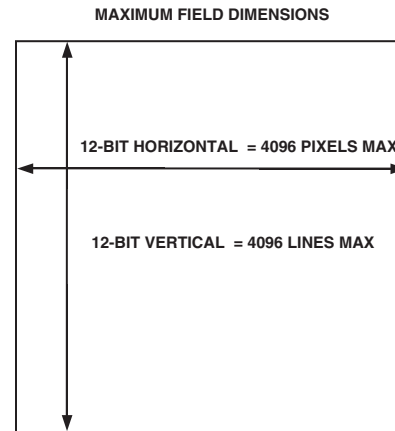


Figure 2a. Vertical and Horizontal Counters

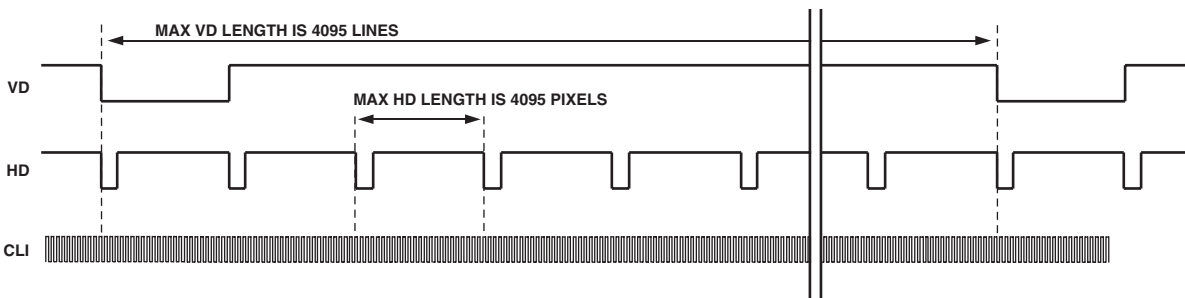


Figure 2b. Maximum VD/HD Dimensions

SERIAL INTERFACE TIMING

All of the internal registers of the AD9948 are accessed through a 3-wire serial interface. Each register consists of an 8-bit address and a 24-bit data-word. Both the 8-bit address and 24-bit data-word are written starting with the LSB. To write to each register, a 32-bit operation is required, as shown in Figure 3a. Although many registers are less than 24 bits wide, all 24 bits must be written for each register. If the register is only 16 bits wide, then the upper eight bits are don't cares and may be filled with zeros during the serial write operation. If fewer than 24 bits are written, the register will not be updated with new data.

Figure 3b shows a more efficient way to write to the registers by using the AD9948's address auto-increment capability. Using this method, the lowest desired address is written first, followed by multiple 24-bit data-words. Each new 24-bit data-word will be written automatically to the next highest register address. By eliminating the need to write each 8-bit address, faster register loading is achieved. Address auto-increment may be used starting with any register location, and may be used to write to as few as two registers or as many as the entire register space.

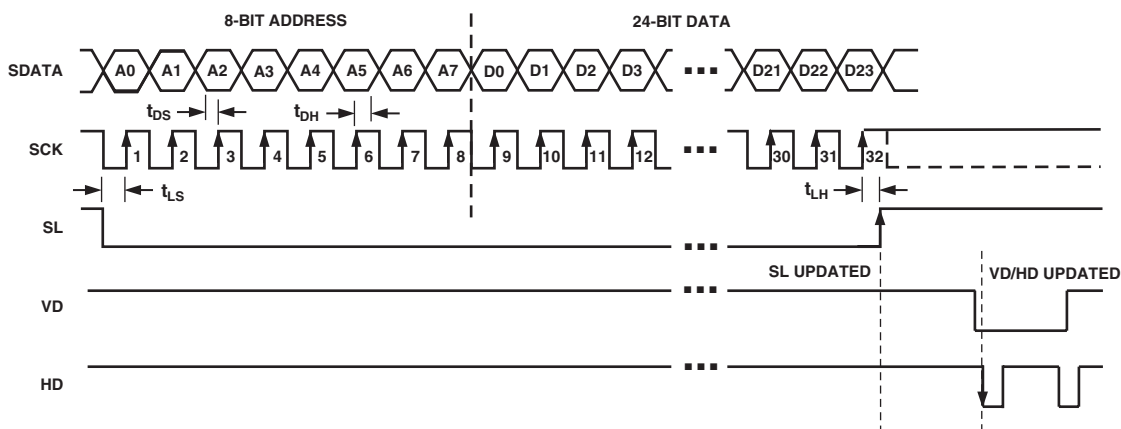
COMPLETE REGISTER LISTING

All addresses and default values are expressed in hexadecimal.

All registers are VD/HD updated as shown in Figure 3a, except for the registers indicated in Table I, which are SL updated.

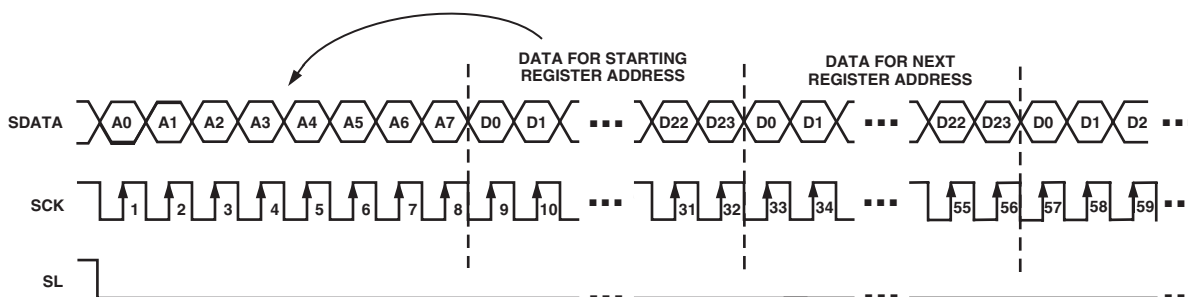
Table I. SL-Updated Registers

| Register | Description |
|---------------|---------------------------------------|
| OPRMODE | AFE Operation Modes |
| CTLMODE | AFE Control Modes |
| SW_RESET | Software Reset Bit |
| TGCORE_RSTB | Reset Bar Signal for Internal TG Core |
| PREVENTUPDATE | Prevents Update of Registers |
| VDHDEDGE | VD/HD Active Edge |
| FIELDVAL | Resets Internal Field Pulse |
| HBLKRETIME | Retimes the HBLK to Internal Clock |
| CLPBLKOUT | CLP/BLK Output Pin Select |
| CLPBLKEN | Enables CLP/BLK Output Pin |
| H1CONTROL | H1/H2 Polarity Control |
| RGCONTROL | H1 Positive Edge Location |
| DRVCONTROL | H1 Negative Edge Location |
| SAMPCONTROL | H1 Drive Current |
| DOUTPHASE | H2 Drive Current |



- NOTES**
1. INDIVIDUAL SDATA BITS ARE LATCHED ON SCK RISING EDGES.
 2. ALL 32 BITS MUST BE WRITTEN: 8 BITS FOR ADDRESS AND 24 BITS FOR DATA.
 3. IF THE REGISTER LENGTH IS <24 BITS, THEN DON'T CARE BITS MUST BE USED TO COMPLETE THE 24-BIT DATA LENGTH.
 4. NEW DATA IS UPDATED AT EITHER THE SL RISING EDGE OR AT THE HD FALLING EDGE AFTER THE NEXT VD FALLING EDGE.
 5. VD/HD UPDATE POSITION MAY BE DELAYED TO ANY HD FALLING EDGE IN THE FIELD USING THE UPDATE REGISTER.

Figure 3a. Serial Write Operation



- NOTES**
1. MULTIPLE SEQUENTIAL REGISTERS MAY BE LOADED CONTINUOUSLY.
 2. THE FIRST (LOWEST ADDRESS) REGISTER ADDRESS IS WRITTEN, FOLLOWED BY MULTIPLE 24-BIT DATA-WORDS.
 3. THE ADDRESS WILL AUTOMATICALLY INCREMENT WITH EACH 24-BIT DATA-WORD (ALL 24 BITS MUST BE WRITTEN).
 4. SL IS HELD LOW UNTIL THE LAST DESIRED REGISTER HAS BEEN LOADED.
 5. NEW DATA IS UPDATED AT EITHER THE SL RISING EDGE OR AT THE HD FALLING EDGE AFTER THE NEXT VD FALLING EDGE.

Figure 3b. Continuous Serial Write Operation

Table II. AFE Register Map

| Address | Data Bit Content | Default Value | Name | Description |
|---------|------------------|---------------|-------------|---|
| 00 | [11:0] | 4 | OPRMODE | AFE Operation Modes. (See Table VIII.) |
| 01 | [9:0] | 0 | VGAGAIN | VGA Gain. |
| 02 | [7:0] | 80 | CLAMP LEVEL | Optical Black Clamp Level. |
| 03 | [11:0] | 4 | CTLMODE | AFE Control Modes. (See Table IX.) |
| 04 | [17:0] | 0 | PxGA GAIN01 | PxGA Gain Registers for Color 0 [8:0] and Color 1 [17:9]. |
| 05 | [17:0] | 0 | PxGA GAIN23 | PxGA Gain Registers for Color 2 [8:0] and Color 3 [17:9]. |

Table III. Miscellaneous Register Map

| Address | Data Bit Content | Default Value | Name | Description |
|---------|------------------|---------------|---------------|--|
| 10 | [0] | 0 | SW_RST | Software Reset. 1 = Reset all registers to default, then self-clear back to 0. |
| 11 | [0] | 0 | OUT_CONTROL | Output Control. 0 = Make all dc outputs inactive. |
| 12 | [0] | 0 | TG CORE_RSTB | Timing Core Reset Bar. 0 = Reset TG core. 1 = Resume operation. |
| 13 | [11:0] | 0 | UPDATE | Serial Update. Sets the line (HD) within the field to update serial data. |
| 14 | [0] | 0 | PREVENTUPDATE | Prevents the update of the VD-Updated Registers. 1 = Prevent update. |
| 15 | [0] | 0 | VDHDEDGE | VD/HD Active Edge. 0 = Falling edge triggered. 1 = Rising edge triggered. |
| 16 | [1:0] | 0 | FIELDVAL | Field Value Sync. 0 = Next Field 0. 1 = Next Field 1. 2/3 = Next Field 2. |
| 17 | [0] | 0 | HBLKRETIME | Retime HBLK to Internal H1 Clock. Preferred setting is 1. Setting to 1 will add one cycle delay to HBLK toggle positions. |
| 18 | [1:0] | 0 | CLPBLKOUT | CLP/BLK Pin Output Select. 0 = CLPOB. 1 = PBLK. 2 = HBLK. 3 = Low. |
| 19 | [0] | 1 | CLPBLKEN | Enable CLP/BLK Output. 1 = Enable. |
| 1A | [0] | 0 | TEST MODE | Internal Test Mode. Should always be set low. |

Table IV. CLPOB Register Map

| Address | Data Bit Content | Default Value (Hex) | Name | Description |
|---------|------------------|---------------------|-------------------------|--|
| 20 | [3:0] | F | CLPOBPOL | Start Polarities for CLPOB Sequences 0, 1, 2, and 3. |
| 21 | [23:0] | FFFFFF | CLPOBTOG_0 | Sequence 0. Toggle Position 1 [11:0] and Toggle Position 2 [23:12]. |
| 22 | [23:0] | FFFFFF | CLPOBTOG_1 | Sequence 1. Toggle Position 1 [11:0] and Toggle Position 2 [23:12]. |
| 23 | [23:0] | FFFFFF | CLPOBTOG_2 | Sequence 2. Toggle Position 1 [11:0] and Toggle Position 2 [23:12]. |
| 24 | [23:0] | FFFFFF 0 | CLPOBTOG_3 CLPOBSCP0 | Sequence 3. Toggle Position 1 [11:0] and Toggle Position 2 [23:12]. CLPOB Sequence-Change-Position 0 (Hard-Coded to 0). |
| 25 | [7:0] | 0 | CLPOBSPTR | CLPOB Sequence Pointers for Region 0 [1:0], 1 [3:2], 2 [5:4], 3 [7:6]. |
| 26 | [11:0] | FFF | CLPOBSCP1 | CLPOB Sequence-Change-Position 1. |
| 27 | [11:0] | FFF | CLPOBSCP2 | CLPOB Sequence-Change-Position 2. |
| 28 | [11:0] | FFF | CLPOBSCP3 | CLPOB Sequence-Change-Position 3. |

Table V. PBLK Register Map

| Address | Data Bit Content | Default Value (Hex) | Name | Description |
|---------|------------------|---------------------|-----------------------|---|
| 30 | [3:0] | F | PBLKPOL | Start Polarities for PBLK Sequences 0, 1, 2, and 3. |
| 31 | [23:0] | FFFFFF | PBLKTOG_0 | Sequence 0. Toggle Position 1 [11:0] and Toggle Position 2 [23:12]. |
| 32 | [23:0] | FFFFFF | PBLKTOG_1 | Sequence 1. Toggle Position 1 [11:0] and Toggle Position 2 [23:12]. |
| 33 | [23:0] | FFFFFF | PBLKTOG_2 | Sequence 2. Toggle Position 1 [11:0] and Toggle Position 2 [23:12]. |
| 34 | [23:0] | FFFFFF 0 | PBLKTOG_3 PBLKSCP0 | Sequence 3. Toggle Position 1 [11:0] and Toggle Position 2 [23:12]. PBLK Sequence-Change-Position 0 (Hard-Coded to 0). |
| 35 | [7:0] | 0 | PBLKSPTR | PBLK Sequence Pointers for Region 0 [1:0], 1 [3:2], 2 [5:4], 3 [7:6]. |
| 36 | [11:0] | FFF | PBLKSCP1 | PBLK Sequence-Change-Position 1. |
| 37 | [11:0] | FFF | PBLKSCP2 | PBLK Sequence-Change-Position 2. |
| 38 | [11:0] | FFF | PBLKSCP3 | PBLK Sequence-Change-Position 3. |

Table VI. HBLK Register Map

| Address | Data Bit Content | Default Value (Hex) | Name | Description |
|---------|------------------|---------------------|-------------------------|---|
| 40 | [0] | 0 | HBLKDIR | HBLK Internal/External. 0 = Internal. 1 = External. |
| 41 | [0] | 0 | HBLKPOL | HBLK External Active Polarity. 0 = Active Low. 1 = Active High. |
| 42 | [0] | 1 | HBLKEXTMASK | HBLK External Masking Polarity. 0 = Mask H1 Low. 1 = Mask H1 High. |
| 43 | [3:0] | F | HBLKMASK | HBLK Internal Masking Polarity. 0 = Mask H1 Low. 1 = Mask H1 High. |
| 44 | [23:0] | FFFFFF | HBLKTOG12_0 | Sequence 0. Toggle Position 1 [11:0] and Toggle Position 2 [23:12]. |
| 45 | [23:0] | FFFFFF | HBLKTOG34_0 | Sequence 0. Toggle Position 3 [11:0] and Toggle Position 4 [23:12]. |
| 46 | [23:0] | FFFFFF | HBLKTOG56_0 | Sequence 0. Toggle Position 5 [11:0] and Toggle Position 6 [23:12]. |
| 47 | [23:0] | FFFFFF | HBLKTOG12_1 | Sequence 1. Toggle Position 1 [11:0] and Toggle Position 2 [23:12]. |
| 48 | [23:0] | FFFFFF | HBLKTOG34_1 | Sequence 1. Toggle Position 3 [11:0] and Toggle Position 4 [23:12]. |
| 49 | [23:0] | FFFFFF | HBLKTOG56_1 | Sequence 1. Toggle Position 5 [11:0] and Toggle Position 6 [23:12]. |
| 4A | [23:0] | FFFFFF | HBLKTOG12_2 | Sequence 2. Toggle Position 1 [11:0] and Toggle Position 2 [23:12]. |
| 4B | [23:0] | FFFFFF | HBLKTOG34_2 | Sequence 2. Toggle Position 3 [11:0] and Toggle Position 4 [23:12]. |
| 4C | [23:0] | FFFFFF | HBLKTOG56_2 | Sequence 2. Toggle Position 5 [11:0] and Toggle Position 6 [23:12]. |
| 4D | [23:0] | FFFFFF | HBLKTOG12_3 | Sequence 3. Toggle Position 1 [11:0] and Toggle Position 2 [23:12]. |
| 4E | [23:0] | FFFFFF | HBLKTOG34_3 | Sequence 3. Toggle Position 3 [11:0] and Toggle Position 4 [23:12]. |
| 4F | [23:0] | FFFFFF 0 | HBLKTOG56_3 HBLKSCP0 | Sequence 3. Toggle Position 5 [11:0] and Toggle Position 6 [23:12]. HBLK Sequence-Change-Position 0 (Hard-coded to 0). |
| 50 | [7:0] | 0 | HBLKSPTR | HBLK Sequence Pointers for Region 0 [1:0], 1 [3:2], 2 [5:4], 3 [7:6]. |
| 51 | [11:0] | FFF | HBLKSCP1 | HBLK Sequence-Change-Position 1. |
| 52 | [11:0] | FFF | HBLKSCP2 | HBLK Sequence-Change-Position 2. |
| 53 | [11:0] | FFF | HBLKSCP3 | HBLK Sequence-Change-Position 3. |

Table VII. H1-H2, RG, SHP, SHD Register Map

| Address | Data Bit Content | Default Value | Name | Description |
|---------|------------------|---------------|-------------|--|
| 60 | [12:0] | 01001 | H1CONTROL | H1 Signal Control. Polarity [0] (0 = Inversion, 1 = No Inversion). H1 Positive Edge Location [6:1]. H1 Negative Edge Location [12:7]. |
| 61 | [12:0] | 00801 | RGCONTROL | RG Signal Control. Polarity [0] (0 = Inversion, 1 = No Inversion). RG Positive Edge Location [6:1]. RG Negative Edge Location [12:7]. |
| 62 | [14:0] | 0 | DRVCONTROL | Drive Strength Control for H1 [2:0], H2 [5:3], H3 [8:6], H4 [11:9], and RG [14:12]. Drive Current Values: 0 = Off, 1 = 4.3 mA, 2 = 8.6 mA, 3 = 12.9 mA, 4 = 17.2 mA, 5 = 21.5 mA, 6 = 25.8 mA, 7 = 30.1 mA. |
| 63 | [11:0] | 00024 | SAMPCONTROL | SHP/SHD Sample Control. SHP Sampling Location [5:0]. SHD Sampling Location [11:6]. |
| 64 | [5:0] | 0 | DOUTPHASE | DOUT Phase Control. |

Table VIII. AFE Operation Register Detail

| Address | Data Bit Content | Default Value | Name | Description |
|---------|------------------|---------------|------------|--|
| 00 | [1:0] | 0 | PWRDOWN | 0 = Normal Operation. 1 = Reference Standby. 2/3 = Total Power-Down. |
| | [2] | 1 | CLPENABLE | 0 = Disable OB Clamp. 1 = Enable OB Clamp. |
| | [3] | 0 | CLPSPEED | 0 = Select Normal OB Clamp Settling. 1 = Select Fast OB Clamp Settling. |
| | [4] | 0 | FASTUPDATE | 0 = Ignore VGA Update. 1 = Very Fast Clamping when VGA Is Updated. |
| | [5] | 0 | PBLK_LVL | DOUT Value during PBLK. 0 = Blank to Zero. 1 = Blank to Clamp Level. |
| | [7:6] | 0 | TEST MODE | Test Operation Only. Set to zero. |
| | [8] | 0 | DCBYP | 0 = Enable DC Restore Circuit. 1 = Bypass DC Restore Circuit during PBLK. |
| | [9] | 0 | TESTMODE | Test Operation Only. Set to zero. |
| | [11:10] | 0 | CDSGAIN | Adjustment of CDS Gain. 0 = 0 dB. 01 = -2 dB. 10 = -4 dB. 11 = 0 dB. |

Table IX. AFE Control Register Detail

| Address | Data Bit Content | Default Value | Name | Description |
|---------|------------------|---------------|-------------|--|
| 04 | [1:0] | 0 | COLORSTEER | 0 = Off. 1 = Progressive. 2 = Interlaced. 3 = Three Field. |
| | [2] | 1 | PXGAENABLE | 0 = Disable PxGA. 1 = Enable PxGA. |
| | [3] | 0 | DOUTDISABLE | 0 = Data Outputs Are Driven. 1 = Data Outputs Are Three-Stated. |
| | [4] | 0 | DOUTLATCH | 0 = Latch Data Outputs with DOUT Phase. 1 = Output Latch Transparent. |
| | [5] | 0 | GRAYENCODE | 0 = Binary Encode Data Outputs. 1 = Gray Encode Data Outputs. |

AD9948

PRECISION TIMING HIGH SPEED TIMING GENERATION

The AD9948 generates flexible high speed timing signals using the Precision Timing core. This core is the foundation for generating the timing used for both the CCD and the AFE; the reset gate RG, horizontal drivers H1–H4, and the SHP/SHD sample clocks. A unique architecture makes it routine for the system designer to optimize image quality by providing precise control over the horizontal CCD readout and the AFE correlated double sampling.

Timing Resolution

The Precision Timing core uses a 1× master clock input (CLI) as a reference. This clock should be the same as the CCD pixel clock frequency. Figure 4 illustrates how the internal timing core divides the master clock period into 48 steps or edge positions. Therefore, the edge resolution of the Precision Timing core is ($t_{CLI}/48$). For more information on using the CLI input, refer to the Applications Information section.

High Speed Clock Programmability

Figure 5 shows how the high speed clocks, RG, H1–H4, SHP, and SHD, are generated. The RG pulse has programmable rising and falling edges, and may be inverted using the polarity control. The horizontal clocks H1 and H3 have programmable rising and falling edges, and polarity control. The H2 and H4 clocks are always inverses of H1 and H3, respectively. Table X summarizes the high speed timing registers and their parameters.

Each edge location setting is 6 bits wide, but only 48 valid edge locations are available. Therefore, the register values are mapped into four quadrants, with each quadrant containing 12 edge locations. Table XI shows the correct register values for the corresponding edge locations.

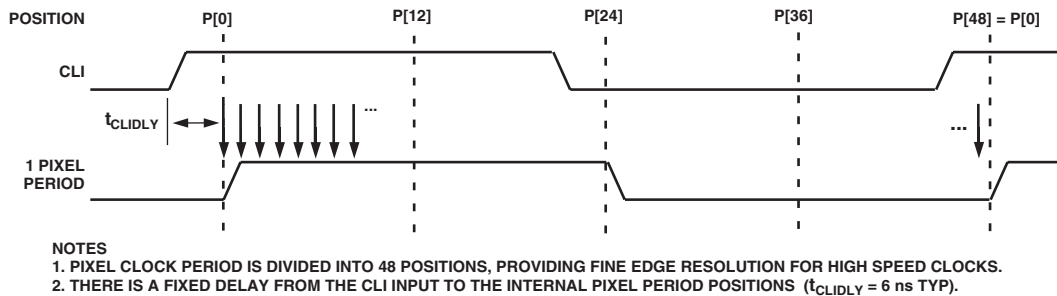


Figure 4. High Speed Clock Resolution From CLI Master Clock Input

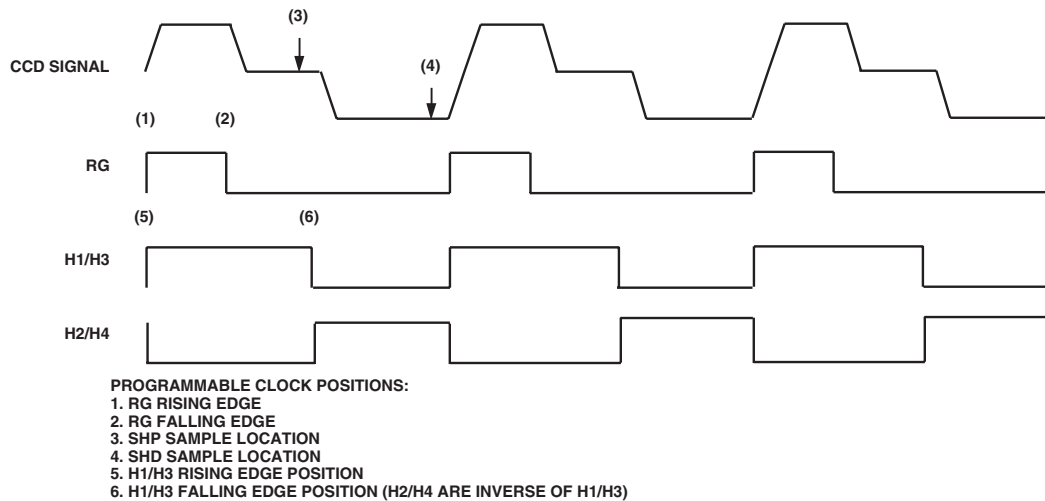


Figure 5. High Speed Clock Programmable Locations

Table X. H1CONTROL, RGCONTROL, DRVCONTROL, and SAMPCONTROL Register Parameters

| Parameter | Length | Range | Description |
|-----------------|--------|----------------------|--|
| Polarity | 1b | High/Low | Polarity Control for H1/H3 and RG (0 = No Inversion, 1 = Inversion). |
| Positive Edge | 6b | 0–47 Edge Location | Positive Edge Location for H1/H3 and RG. |
| Negative Edge | 6b | 0–47 Edge Location | Negative Edge Location for H1/H3 and RG. |
| Sample Location | 6b | 0–47 Sample Location | Sampling Location for SHP and SHD. |
| Drive Control | 3b | 0–7 Current Steps | Drive Current for H1–H4 and RG Outputs, 0–7 Steps of 4.1 mA Each. |
| DOUT Phase | 6b | 0–47 Edge Location | Phase Location of Data Outputs with Respect to Pixel Period. |

Table XI. Precision Timing Edge Locations

| Quadrant | Edge Location (Decimal) | Register Value (Decimal) | Register Value (Binary) |
|----------|-------------------------|--------------------------|-------------------------|
| I | 0 to 11 | 0 to 11 | 000000 to 001011 |
| II | 12 to 23 | 16 to 27 | 010000 to 011011 |
| III | 24 to 35 | 32 to 43 | 100000 to 101011 |
| IV | 36 to 47 | 48 to 59 | 110000 to 111011 |

H-Driver and RG Outputs

In addition to the programmable timing positions, the AD9948 features on-chip output drivers for the RG and H1–H4 outputs. These drivers are powerful enough to directly drive the CCD inputs. The H-driver and RG driver current can be adjusted for optimum rise/fall time into a particular load by using the DRVCONTROL register (Address x062). The DRVCONTROL register is divided into five different 3-bit values, each one being adjustable in 4.1 mA increments. The minimum setting of 0 is equal to OFF or three-state, and the maximum setting of 7 is equal to 30.1 mA.

As shown in Figure 6, the H2/H4 outputs are inverses of H1/H3. The internal propagation delay resulting from the signal inversion is less than 1 ns, which is significantly less than the typical rise time driving the CCD load. This results in a H1/H2 crossover voltage at approximately 50% of the output swing. The crossover voltage is not programmable.

Digital Data Outputs

The AD9948 data output phase is programmable using the DOUTPHASE register (Address x064). Any edge from 0 to 47 may be programmed, as shown in Figure 7a. The pipeline delay for the digital data output is shown in Figure 7b.

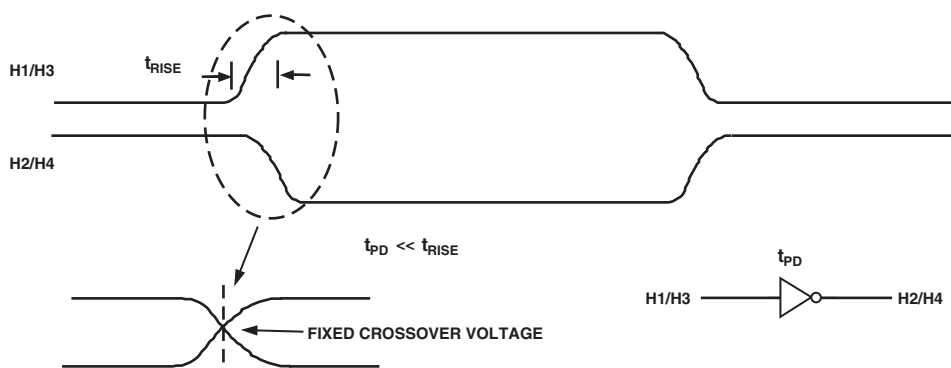


Figure 6. H-Clock Inverse Phase Relationship

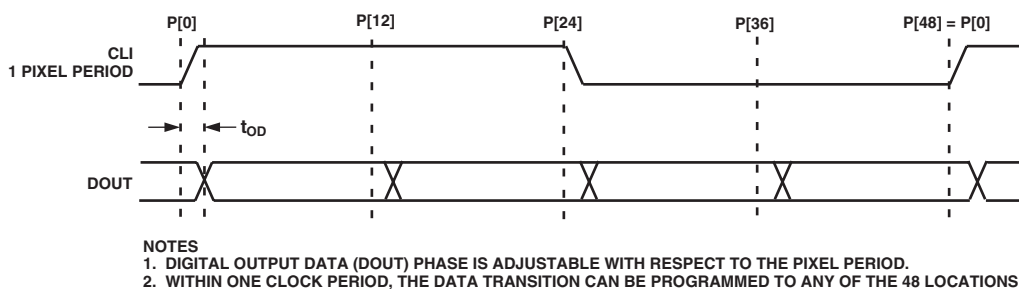


Figure 7a. Digital Output Phase Adjustment

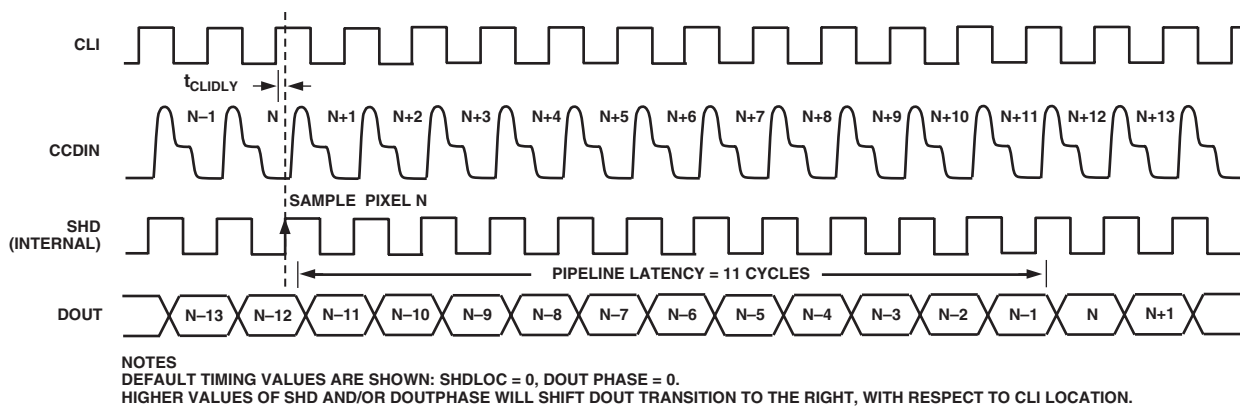


Figure 7b. Pipeline Delay for Digital Data Output

AD9948

HORIZONTAL CLAMPING AND BLANKING

The AD9948's horizontal clamping and blanking pulses are fully programmable to suit a variety of applications. Individual sequences are defined for each signal, which are then organized into multiple regions during image readout. This allows the dark pixel clamping and blanking patterns to be changed at each stage of the readout to accommodate different image transfer timing and high speed line shifts.

Individual CLPOB and PBLK Sequences

The AFE horizontal timing consists of CLPOB and PBLK, as shown in Figure 8. These two signals are independently programmed using the parameters shown in Table XII. The start polarity, first toggle position, and second toggle position are

fully programmable for each signal. The CLPOB and PBLK signals are active low, and should be programmed accordingly. Up to four individual sequences can be created for each signal.

Individual HBLK Sequences

The HBLK programmable timing shown in Figure 9 is similar to CLPOB and PBLK. However, there is no start polarity control. Only the toggle positions are used to designate the start and the stop positions of the blanking period. Additionally, there is a polarity control, HBLKMASK, which designates the polarity of the horizontal clock signals H1–H4 during the blanking period. Setting HBLKMASK high will set H1 = H3 = low and H2 = H4 = high during the blanking, as shown in Figure 10. Up to four individual sequences are available for HBLK.

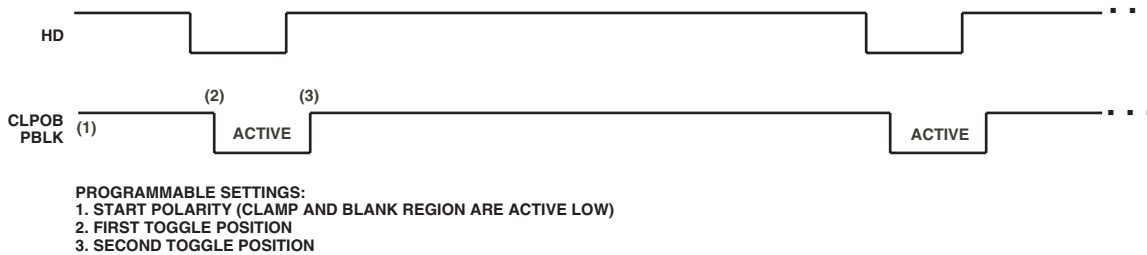


Figure 8. Clamp and Preblank Pulse Placement

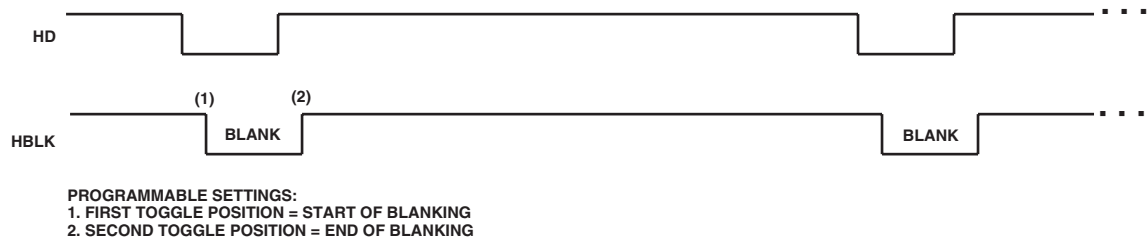


Figure 9. Horizontal Blanking (HBLK) Pulse Placement

Table XII. CLPOB and PBLK Individual Sequence Parameters

| Parameter | Length | Range | Description |
|-------------------|--------|-----------------------|---|
| Polarity | 1b | High/Low | Starting Polarity of Clamp and PBLK Pulses for Sequences 0–3. |
| Toggle Position 1 | 12b | 0–4095 Pixel Location | First Toggle Position within the Line for Sequences 0–3. |
| Toggle Position 2 | 12b | 0–4095 Pixel Location | Second Toggle Position within the Line for Sequences 0–3. |

Table XIII. HBLK Individual Sequence Parameters

| Parameter | Length | Range | Description |
|-------------------|--------|-----------------------|--|
| HBLKMASK | 1b | High/Low | Masking Polarity for H1 for Sequences 0–3 (0 = H1 Low, 1 = H1 High). |
| Toggle Position 1 | 12b | 0–4095 Pixel Location | First Toggle Position within the Line for Sequences 0–3. |
| Toggle Position 2 | 12b | 0–4095 Pixel Location | Second Toggle Position within the Line for Sequences 0–3. |
| Toggle Position 3 | 12b | 0–4095 Pixel Location | Third Toggle Position within the Line for Sequences 0–3. |
| Toggle Position 4 | 12b | 0–4095 Pixel Location | Fourth Toggle Position within the Line for Sequences 0–3. |
| Toggle Position 5 | 12b | 0–4095 Pixel Location | Fifth Toggle Position within the Line for Sequences 0–3. |
| Toggle Position 6 | 12b | 0–4095 Pixel Location | Sixth Toggle Position within the Line for Sequences 0–3. |

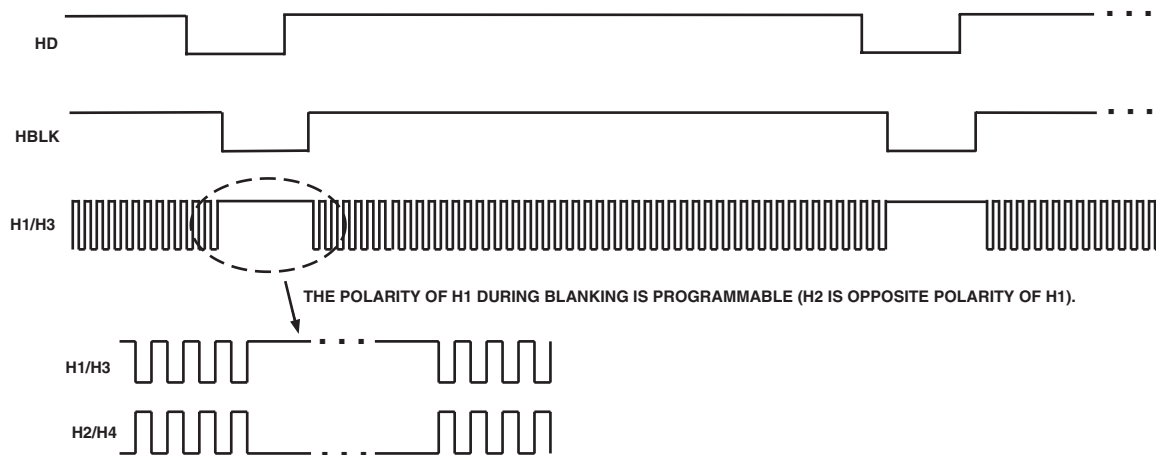


Figure 10. HBLK Masking Control

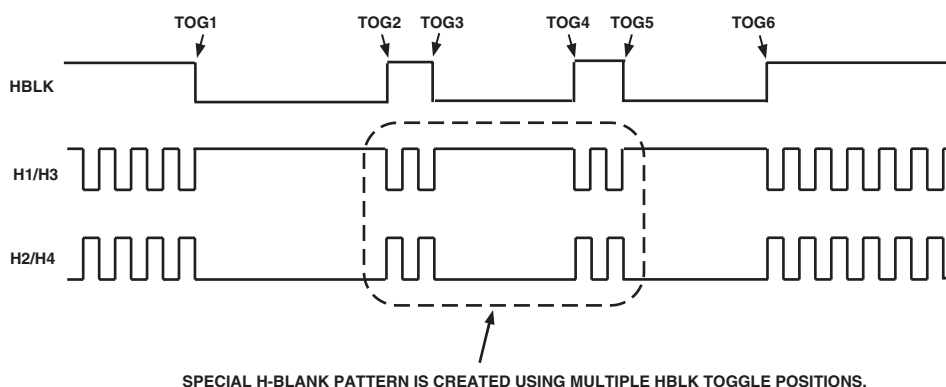


Figure 11. Generating Special HBLK Patterns

Table XIV. Horizontal Sequence Control Parameters for CLPOB, PBLK, and HBLK

| Register | Length | Range | Description |
|----------|--------|---------------------|--|
| SCP | 12b | 0–4095 Line Number | CLOB/PBLK/HBLK SCP to Define Horizontal Regions 0–3. |
| SPTR | 2b | 0–3 Sequence Number | Sequence Pointer for Horizontal Regions 0–3. |

GENERATING SPECIAL HBLK PATTERNS

Six toggle positions are available for HBLK. Normally, only two of the toggle positions are used to generate the standard HBLK interval. However, the additional toggle positions may be used to generate special HBLK patterns, as shown in Figure 11. The pattern in this example uses all six toggle positions to generate two extra groups of pulses during the HBLK interval. By changing the toggle positions, different patterns can be created.

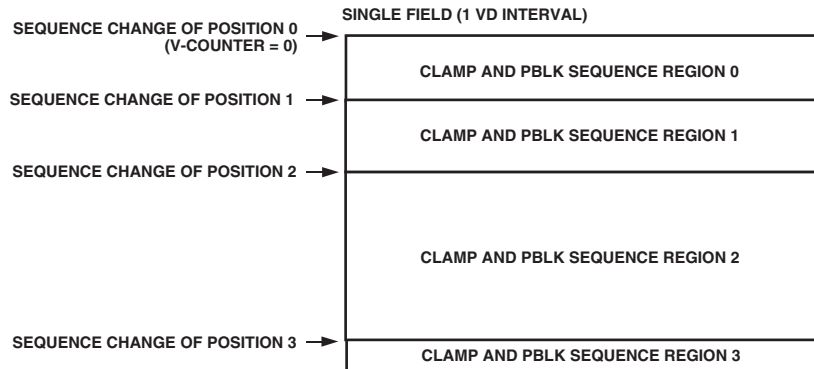
Horizontal Sequence Control

The AD9948 uses sequence change positions (SCPs) and sequence pointers (SPTRs) to organize the individual horizontal sequences. Up to four SCPs are available to divide the readout into four separate regions, as shown in Figure 12. The SCP 0 is always hard-coded to Line 0, and SCP1–SCP3 are register programmable. During each region bounded by the SCP, the SPTR registers

designate which sequence is used by each signal. CLPOB, PBLK, and HBLK each have a separate set of SCPs. For example, CLPOBSCP1 will define Region 0 for CLPOB, and in that region, any of the four individual CLPOB sequences may be selected with the CLPOBSPTR register. The next SCP defines a new region, and in that region each signal can be assigned to a different individual sequence. The sequence control registers are summarized in Table XIV.

External HBLK Signal

The AD9948 can also be used with an external HBLK signal. Setting the HBLKDIR register (Address x040) to high will disable the internal HBLK signal generation. The polarity of the external signal is specified using the HBLKPOL register, and the masking polarity of H1 is specified using the HBLKMASK register. Table XV summarizes the register values when using an external HBLK signal.

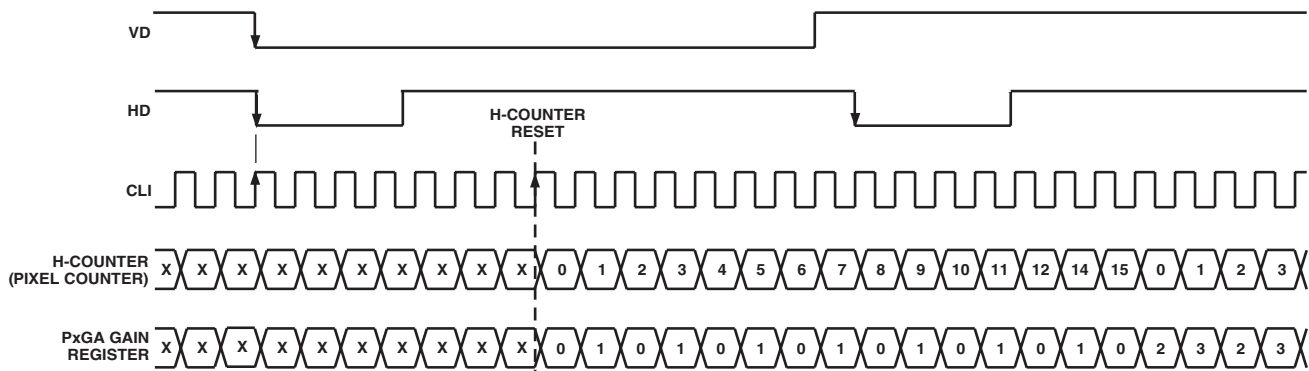


UP TO FOUR INDIVIDUAL HORIZONTAL CLAMP AND BLANKING REGIONS MAY BE PROGRAMMED WITHIN A SINGLE FIELD, USING THE SEQUENCE CHANGE POSITIONS.

Figure 12. Clamp and Blanking Sequence Flexibility

Table XV. External HBLK Register Parameters

| Register | Length | Range | Description |
|-------------|--------|----------|--|
| HBLKDIR | 1b | High/Low | Specifies HBLK Internally Generated or Externally Supplied. 1 = External. |
| HBLKPOL | 1b | High/Low | External HBLK Active Polarity. 0 = Active Low. 1 = Active High. |
| HBLKEXTMASK | 1b | High/Low | External HBLK Masking Polarity. 0 = Mask H1 Low. 1 = Mask H1 High. |



- NOTES
- INTERNAL H-COUNTER IS RESET SEVEN CLI CYCLES AFTER THE HD FALLING EDGE (WHEN USING VDHEDGE = 0).
 - TYPICAL TIMING RELATIONSHIP: CLI RISING EDGE COINCIDES WITH HD FALLING EDGE.
 - PxGA STEERING IS SYNCHRONIZED WITH THE RESET OF THE INTERNAL H-COUNTER (MOZAIC SEPARATE MODE IS SHOWN).

Figure 13. H-Counter Synchronization

H-COUNTER SYNCHRONIZATION

The H-Counter reset occurs seven CLI cycles following the HD falling edge. The PxGA steering is synchronized with the reset of the internal H-Counter (see Figure 13).

POWER-UP PROCEDURE

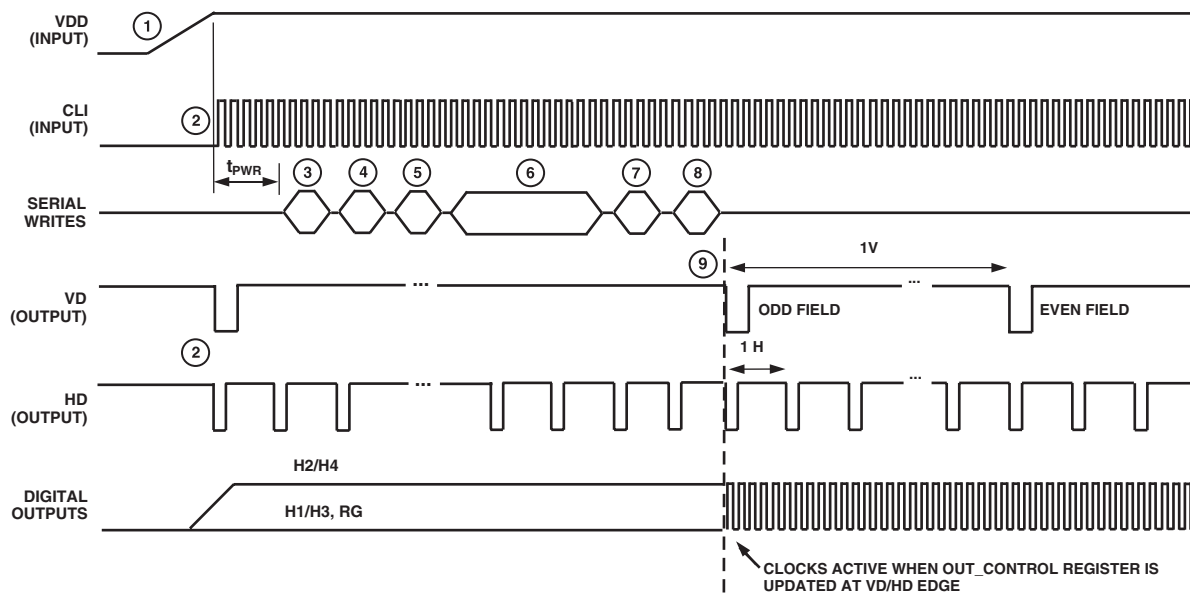


Figure 14. Recommended Power-Up Sequence

Recommended Power-Up Sequence

When the AD9948 is powered up, the following sequence is recommended (refer to Figure 14 for each step):

1. Turn on the power supplies for the AD9948.
2. Apply the master clock input, CLI, VD, and HD.
3. Although the AD9948 contains an on-chip power-on reset, a software reset of the internal registers is recommended. Write a 1 to the SW_RST register (Address x010), which will reset all the internal registers to their default values. This bit is self-clearing and will automatically be reset back to 0.
4. The Precision Timing core must be reset by writing a 0 to the TGCORE_RSTB register (Address x012) followed by writing a 1 to the TGCORE_RSTB register. This will start the internal timing core operation.
5. Write a 1 to the PREVENTUPDATE register (Address x014). This will prevent the updating of the serial register data.
6. Write to the desired registers to configure high speed timing and horizontal timing.
7. Write a 1 to the OUT_CONTROL register (Address x011). This will allow the outputs to become active after the next VD/HD rising edge.
8. Write a 0 to the PREVENTUPDATE register (Address x014). This will allow the serial information to be updated at next VD/HD falling edge.

The next VD/HD falling edge allows register updates to occur, including OUT_CONTROL, which enables all clock outputs.

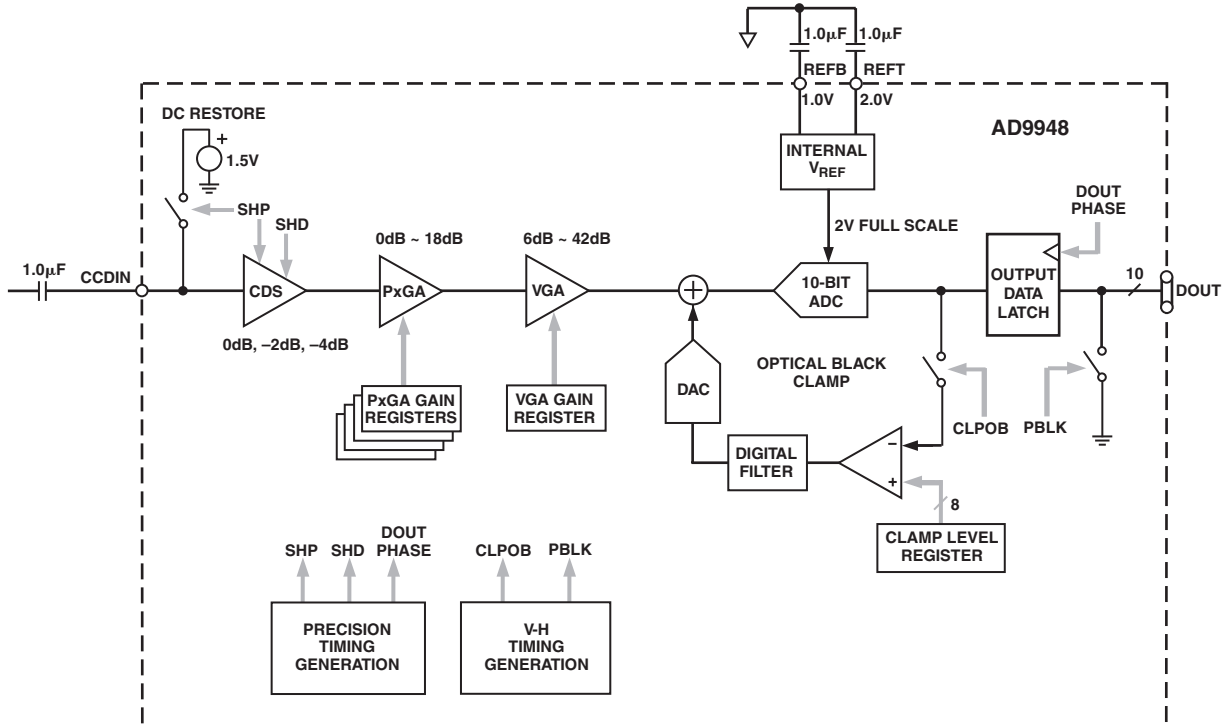


Figure 15. Analog Front End Functional Block Diagram

ANALOG FRONT END DESCRIPTION AND OPERATION

The AD9948 signal processing chain is shown in Figure 15. Each processing step is essential in achieving a high quality image from the raw CCD pixel data.

DC Restore

To reduce the large dc offset of the CCD output signal, a dc restore circuit is used with an external 0.1 µF series coupling capacitor. This restores the dc level of the CCD signal to approximately 1.5 V to be compatible with the 3 V supply voltage of the AD9948.

Correlated Double Sampler

The CDS circuit samples each CCD pixel twice to extract the video information and reject low frequency noise. The timing shown in Figure 5 illustrates how the two internally generated CDS clocks, SHP and SHD, are used to sample the reference level and the CCD signal level, respectively. The placement of the SHP and SHD sampling edges is determined by the setting of the SAMPCONTROL register located at Address 0x63. Placement of these two clock signals is critical in achieving the best performance from the CCD.

The gain in the CDS is fixed at 0 dB by default. Using Bits D10 and D11 in the AFE operation register, the gain may be reduced to -2 dB or -4 dB. This will allow the AD9948 to accept an input signal of greater than 1 V p-p. See Table VIII for register details.

Table XVI. Adjustable CDS Gain

| Operation Register Bits | | CDS Gain | Max CDS Input |
|-------------------------|-----|----------|---------------|
| D11 | D10 | | |
| 0 | 0 | 0 dB | 1.0 V p-p |
| 0 | 1 | -2 dB | 1.2 V p-p |
| 1 | 0 | -4 dB | 1.6 V p-p |
| 1 | 1 | 0 dB | 1.0 V p-p |

PxGA

The PPGA provides separate gain adjustment for the individual color pixels. A programmable gain amplifier with four separate values, the PPGA has the capability to multiplex its gain value on a pixel-to-pixel basis (see Figure 16). This allows lower output color pixels to be gained up to match higher output color pixels. Also, the PPGA may be used to adjust the colors for white balance, reducing the amount of digital processing that is needed. The four different gain values are switched according to the color steering circuitry. Three different color steering modes for different types of CCD color filter arrays are programmable in the AFE CTLMODE register at Address 0x03 (see Figures 18a to 18c for timing examples). For example, progressive steering mode accommodates the popular Bayer arrangement of red, green, and blue filters (see Figure 17a).

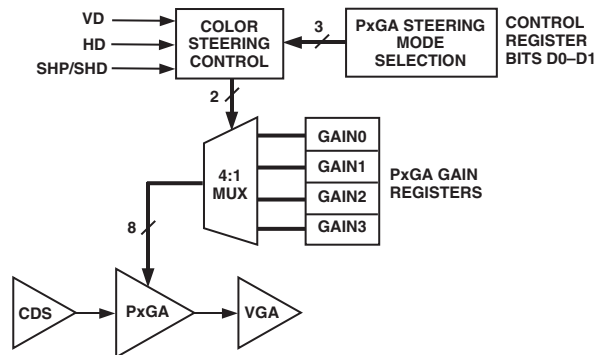


Figure 16. PPGA Block Diagram

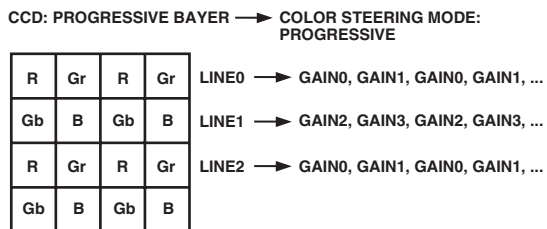


Figure 17a. CCD Color Filter Example—Progressive Scan

The same Bayer pattern can also be interlaced, and the interlaced mode should be used with this type of CCD (see Figure 17b). The color steering performs the proper multiplexing of the R, G, and B gain values (loaded into the PxGA gain registers), and is synchronized by the user with vertical (VD) and horizontal (HD) sync pulses. For timing information, see Figure 18b.

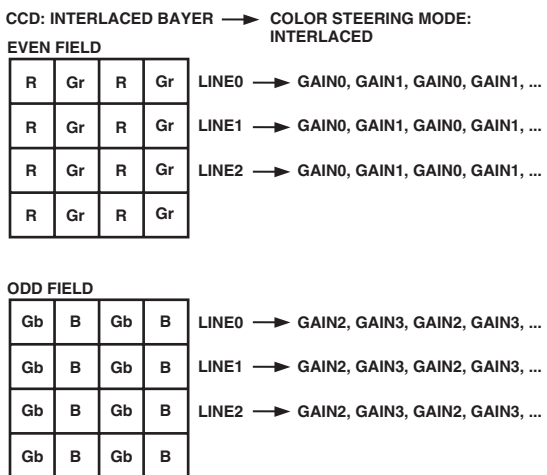


Figure 17b. CCD Color Filter Example—Interlaced Readout

A third type of readout uses the Bayer pattern divided into three different readout fields. The three-field mode should be used with this type of CCD (see Figure 17c). The color steering performs the proper multiplexing of the R, G, and B gain values (loaded into the PxGA gain registers), and is synchronized by the user with vertical (VD) and horizontal (HD) sync pulses. For timing information, see Figure 18c.

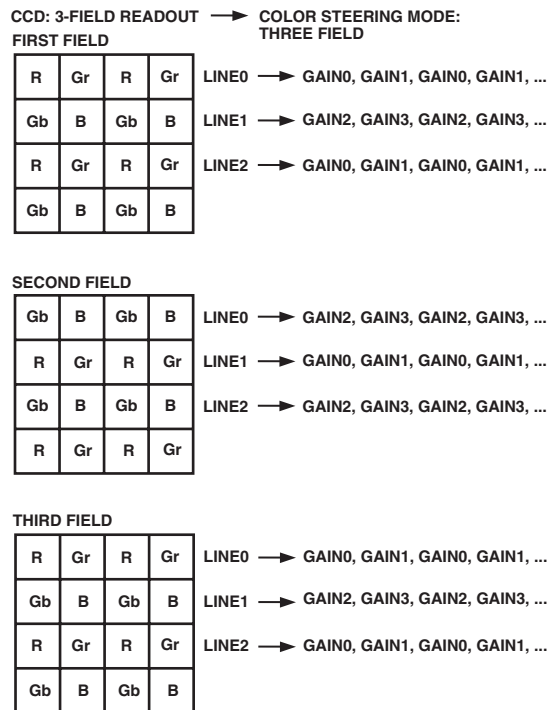


Figure 17c. CCD Color Filter Example—Three-Field Readout

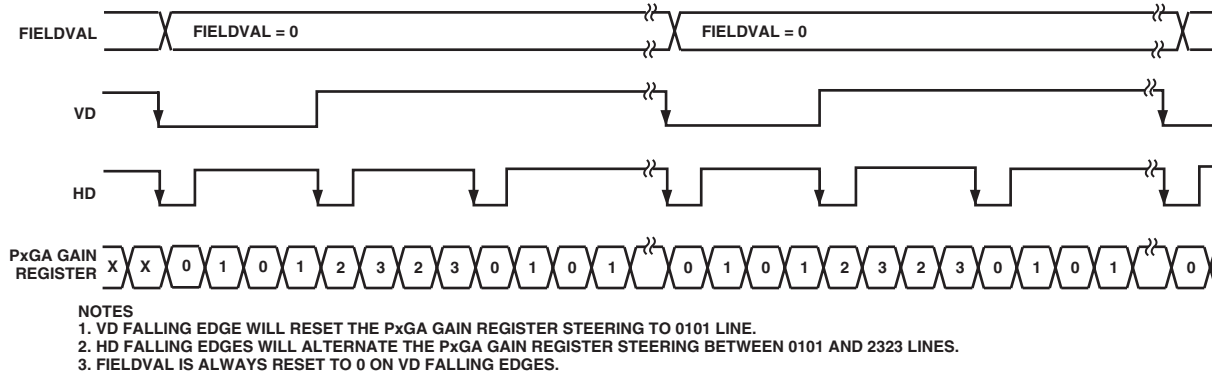


Figure 18a. PxGA Color Steering—Progressive Mode

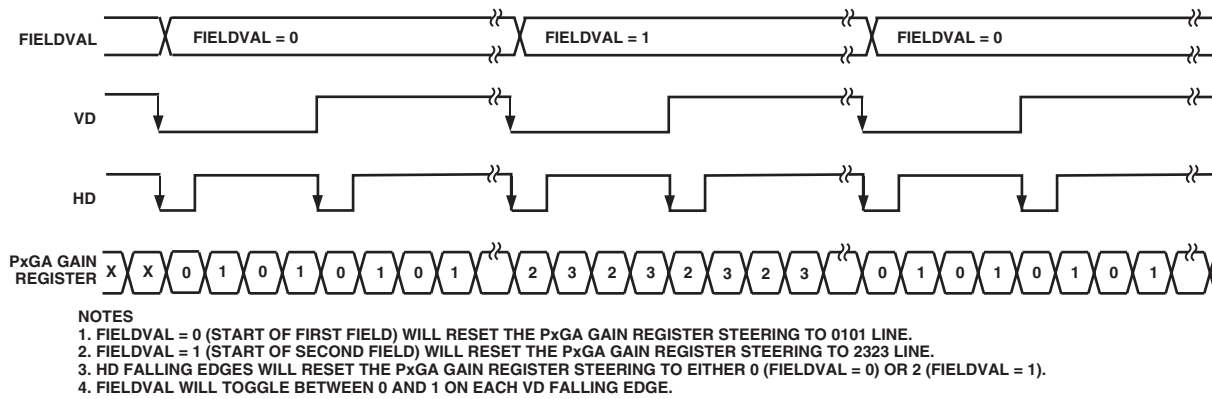


Figure 18b. PxGA Color Steering—Interlaced Mode

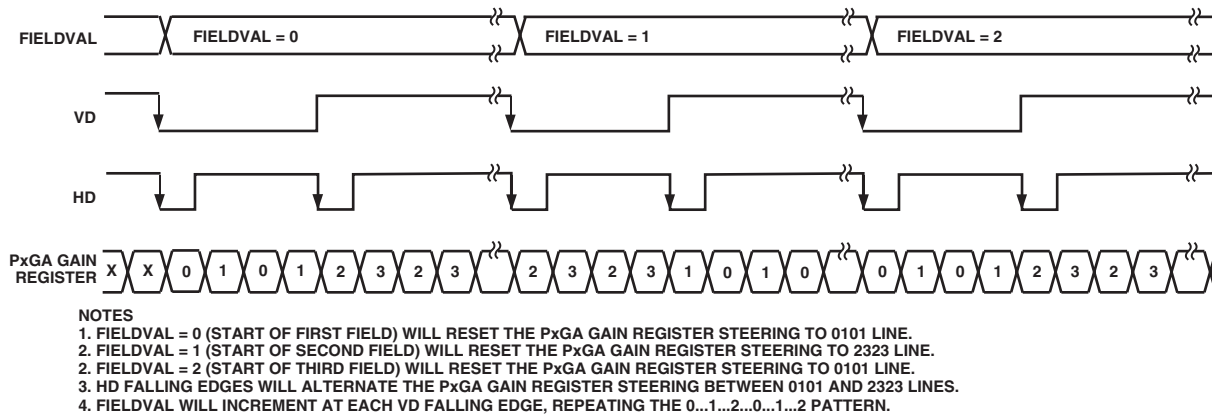


Figure 18c. PxGA Color Steering—Three-Field Mode

The PxGA gain for each of the four channels is variable from 0 dB to 18 dB in 512 steps, specified using the PxGA GAIN01 and PxGA GAIN23 registers. The PxGA gain curve is shown in Figure 19. The PxGA GAIN01 registers contains nine bits each for PxGA Gain0 and Gain1, and the PxGA GAIN23 registers contains nine bits each for PxGA Gain2 and Gain3.

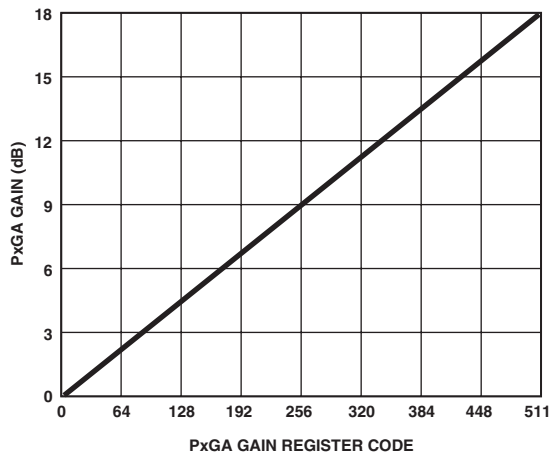


Figure 19. PxGA Gain Curve

Variable Gain Amplifier

The VGA stage provides a gain range of 6 dB to 42 dB, programmable with 10-bit resolution through the serial digital interface. The minimum gain of 6 dB is needed to match a 1 V input signal with the ADC full-scale range of 2 V. When compared to 1 V full-scale systems, the equivalent gain range is 0 dB to 36 dB.

The VGA gain curve follows a linear-in-dB characteristic. The exact VGA gain can be calculated for any gain register value by using the equation

$$\text{Gain (dB)} = (0.0351 \times \text{Code}) + 6 \text{ dB}$$

where the code range is 0 to 1023.

There is a restriction on the maximum amount of gain that can be applied to the signal. The PxGA can add as much as 18 dB, and the VGA is capable of providing up to 42 dB. However, the maximum total gain from the PxGA and VGA is restricted to 42 dB. If the registers are programmed to specify a total gain higher than 42 dB, the total gain will be clipped at 42 dB.

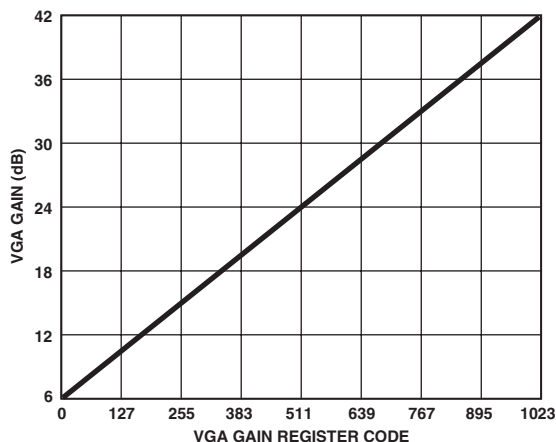


Figure 20. VGA Gain Curve (PxGA Not Included)

A/D Converter

The AD9948 uses a high performance ADC architecture, optimized for high speed and low power. Differential nonlinearity (DNL) performance is typically better than 0.5 LSB. The ADC uses a 2 V input range. See TPC 1 and TPC 2 for typical linearity and noise performance plots for the AD9948.

Optical Black Clamp

The optical black clamp loop is used to remove residual offsets in the signal chain and to track low frequency variations in the CCD's black level. During the optical black (shielded) pixel interval on each line, the ADC output is compared with a fixed black level reference, selected by the user in the clamp level register. The value can be programmed between 0 LSB and 63.75 LSB in 256 steps. The resulting error signal is filtered to reduce noise, and the correction value is applied to the ADC input through a D/A converter. Normally, the optical black clamp loop is turned on once per horizontal line, but this loop can be updated more slowly to suit a particular application. If external digital clamping is used during the postprocessing, the AD9948 optical black clamping may be disabled using Bit D2 in the OPRMODE register. When the loop is disabled, the clamp level register may still be used to provide programmable offset adjustment.

The CLPOB pulse should be placed during the CCD's optical black pixels. It is recommended that the CLPOB pulse duration be at least 20 pixels wide to minimize clamp noise. Shorter pulsewidths may be used, but clamp noise may increase and the ability to track low frequency variations in the black level will be reduced. See the Horizontal Clamping and Blanking and the Applications Information sections for timing examples.

Digital Data Outputs

The AD9948 digital output data is latched using the DOUT phase register value, as shown in Figure 15. Output data timing is shown in Figure 7. It is also possible to leave the output latches transparent, so that the data outputs are valid immediately from the A/D converter. Programming the AFE control register Bit D4 to a 1 will set the output latches transparent. The data outputs can also be disabled (three-stated) by setting the AFE control register Bit D3 to a 1.

The data output coding is normally straight binary, but the coding may be changed to gray coding by setting the AFE control register Bit D5 to a 1.

Driving the CLI Input

The AD9948's master clock input (CLI) may be used in two different configurations, depending on the application. Figure 23a shows a typical dc-coupled input from the master clock source. When the dc-coupled technique is used, the master clock signal should be at standard 3 V CMOS logic levels. As shown in

Figure 23b, a 1000 pF ac coupling capacitor may be used between the clock source and the CLI input. In this configuration, the CLI input will self-bias to the proper dc voltage level of approximately 1.4 V. When the ac-coupled technique is used, the master clock signal can be as low as ± 500 mV in amplitude.

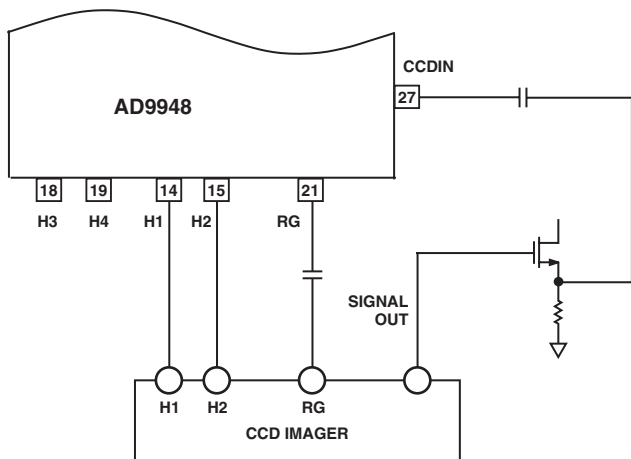


Figure 22a. CCD Connections (2 H-Clock)

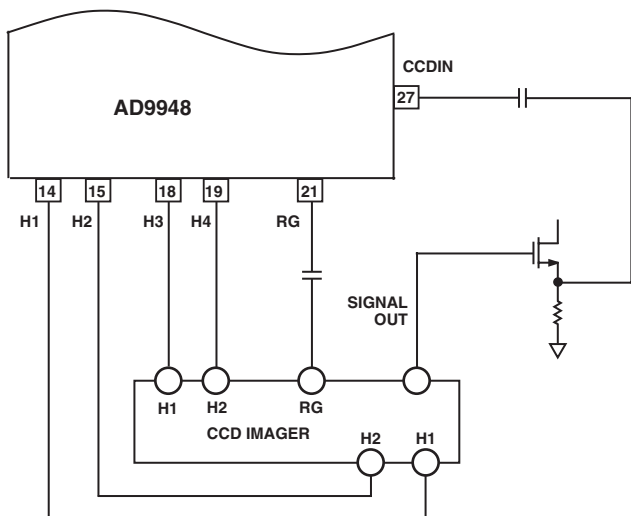


Figure 22b. CCD Connections (4 H-Clock)

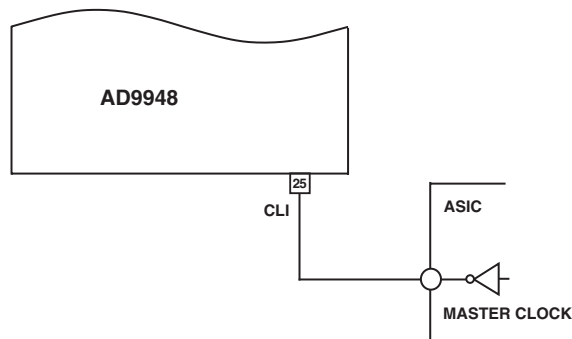


Figure 23a. CLI Connection, DC-Coupled

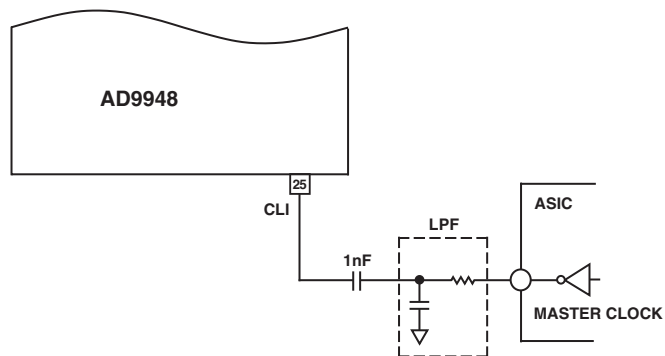


Figure 23b. CLI Connection, AC-Coupled

AD9948

HORIZONTAL TIMING SEQUENCE EXAMPLE

Figure 24 shows an example CCD layout. The horizontal register contains 28 dummy pixels, which will occur on each line clocked from the CCD. In the vertical direction, there are 10 optical black (OB) lines at the front of the readout and two at the back of the readout. The horizontal direction has four OB pixels in the front and 48 in the back.

To configure the AD9948 horizontal signals for this CCD, three sequences can be used. Figure 25 shows the first sequence, to be used during vertical blanking. During this time, there are no

valid OB pixels from the sensor, so the CLPOB signal is not used. PBLK may be enabled during this time, because no valid data is available.

Figure 26 shows the recommended sequence for the vertical OB interval. The clamp signals are used across the whole lines in order to stabilize the clamp loop of the AD9948.

Figure 27 shows the recommended sequence for the effective pixel readout. The 48 OB pixels at the end of each line are used for the CLPOB signal.

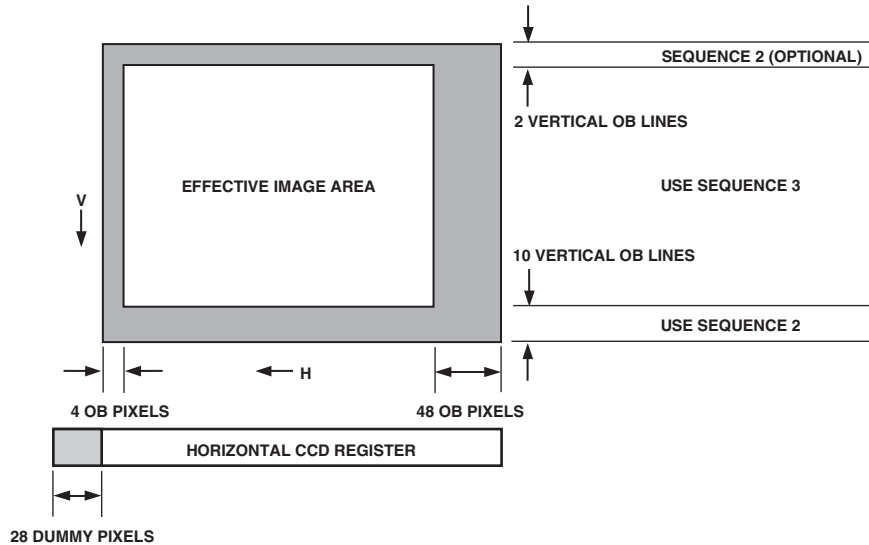


Figure 24. Example CCD Configuration

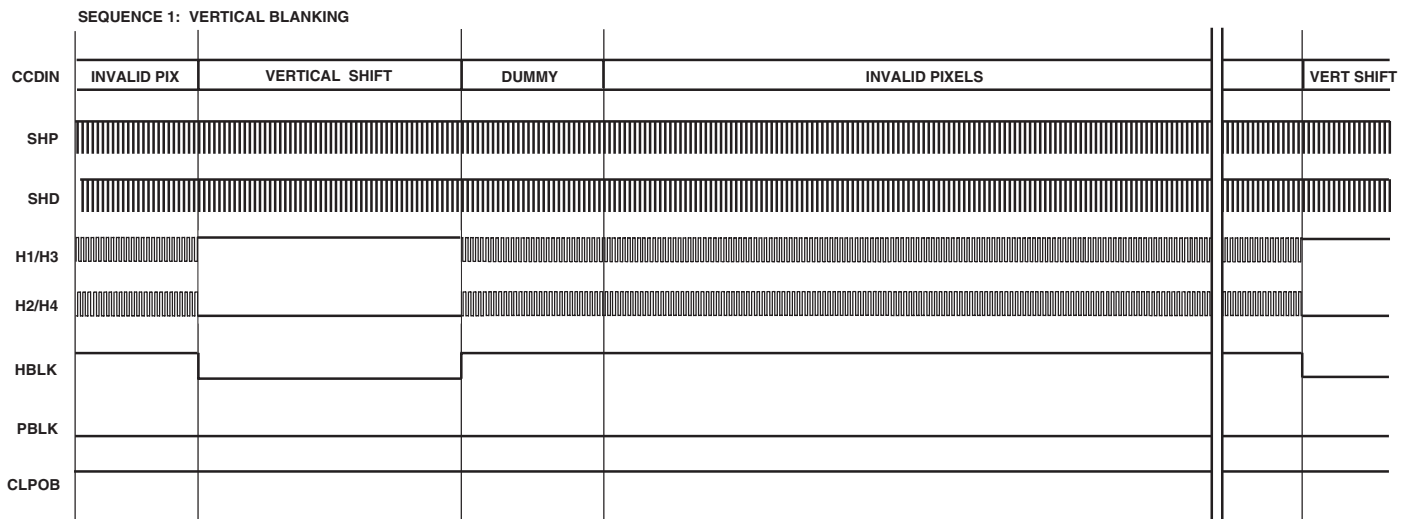


Figure 25. Horizontal Sequence during Vertical Blanking

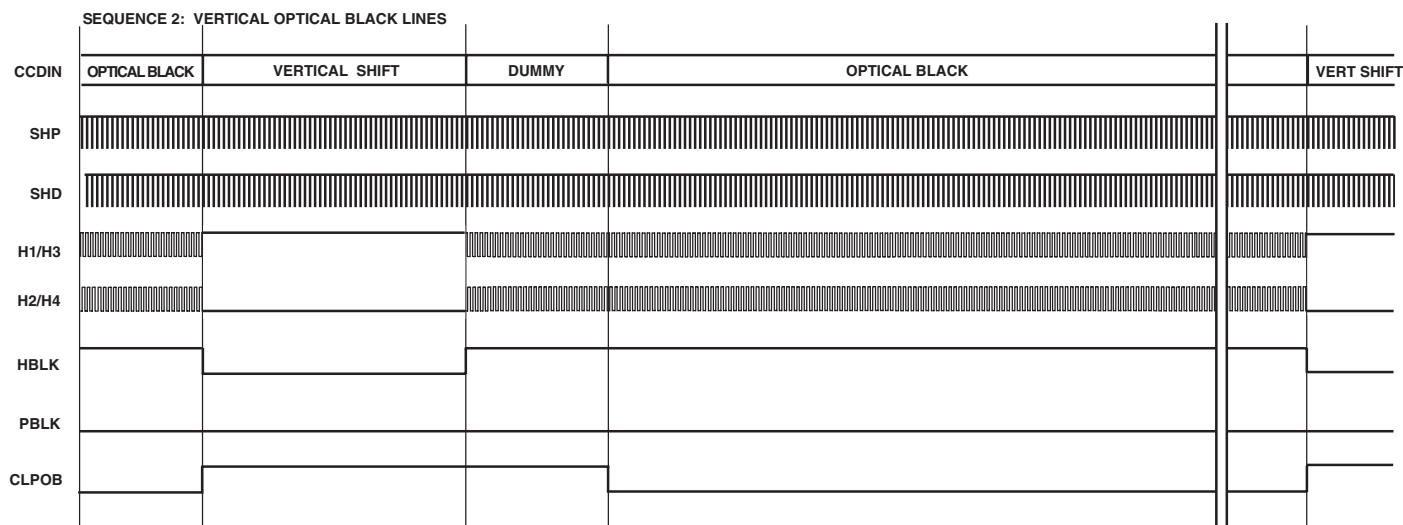


Figure 26. Horizontal Sequences during Vertical Optical Black Pixels

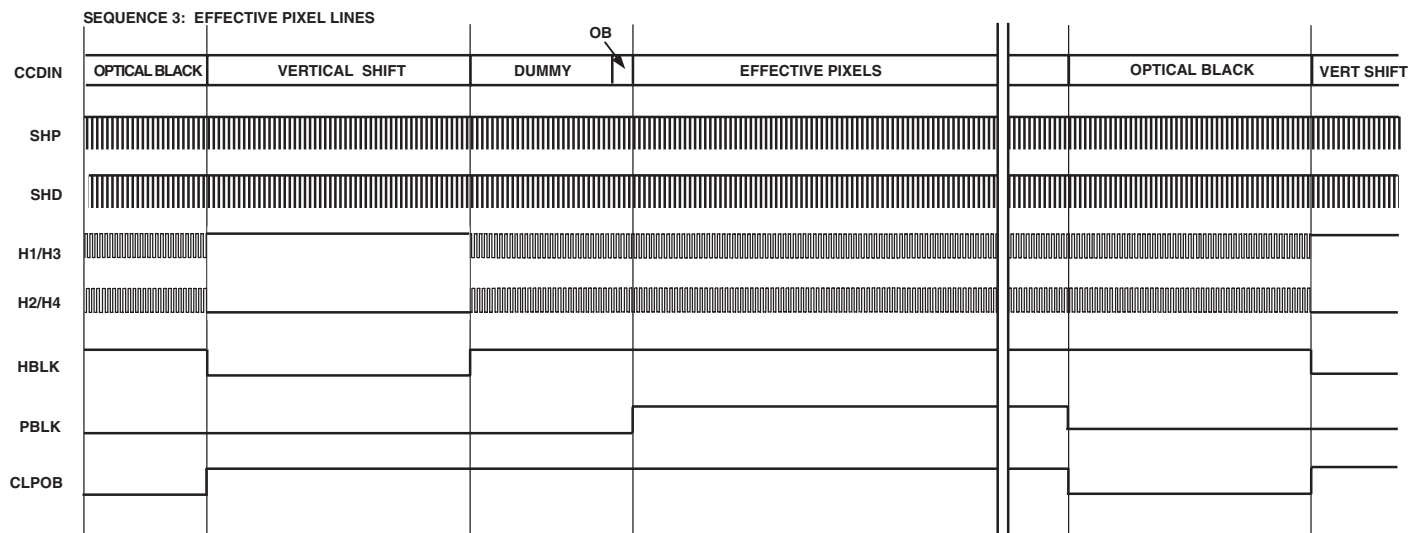
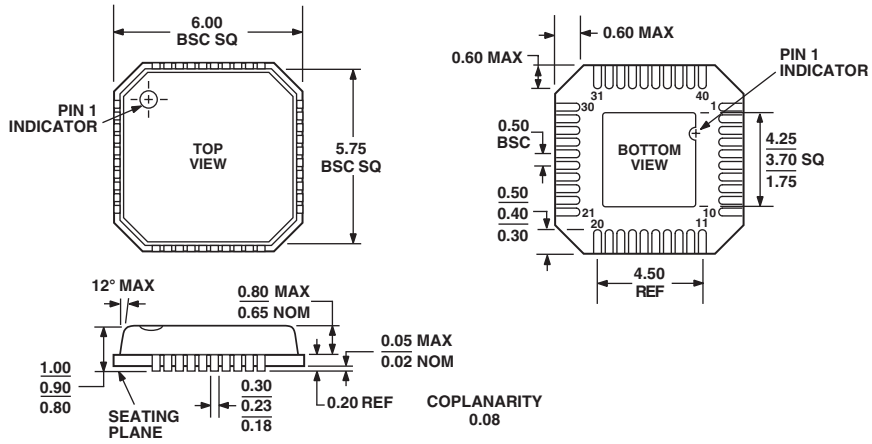


Figure 27. Horizontal Sequences during Effective Pixels

OUTLINE DIMENSIONS

40-Lead Lead Frame Chip Scale Package [LFCSP]
 6 mm × 6 mm Body
 (CP-40)

Dimensions shown in millimeters



COMPLIANT TO JEDEC STANDARDS MO-220-VJJD-2