

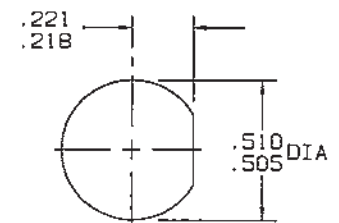
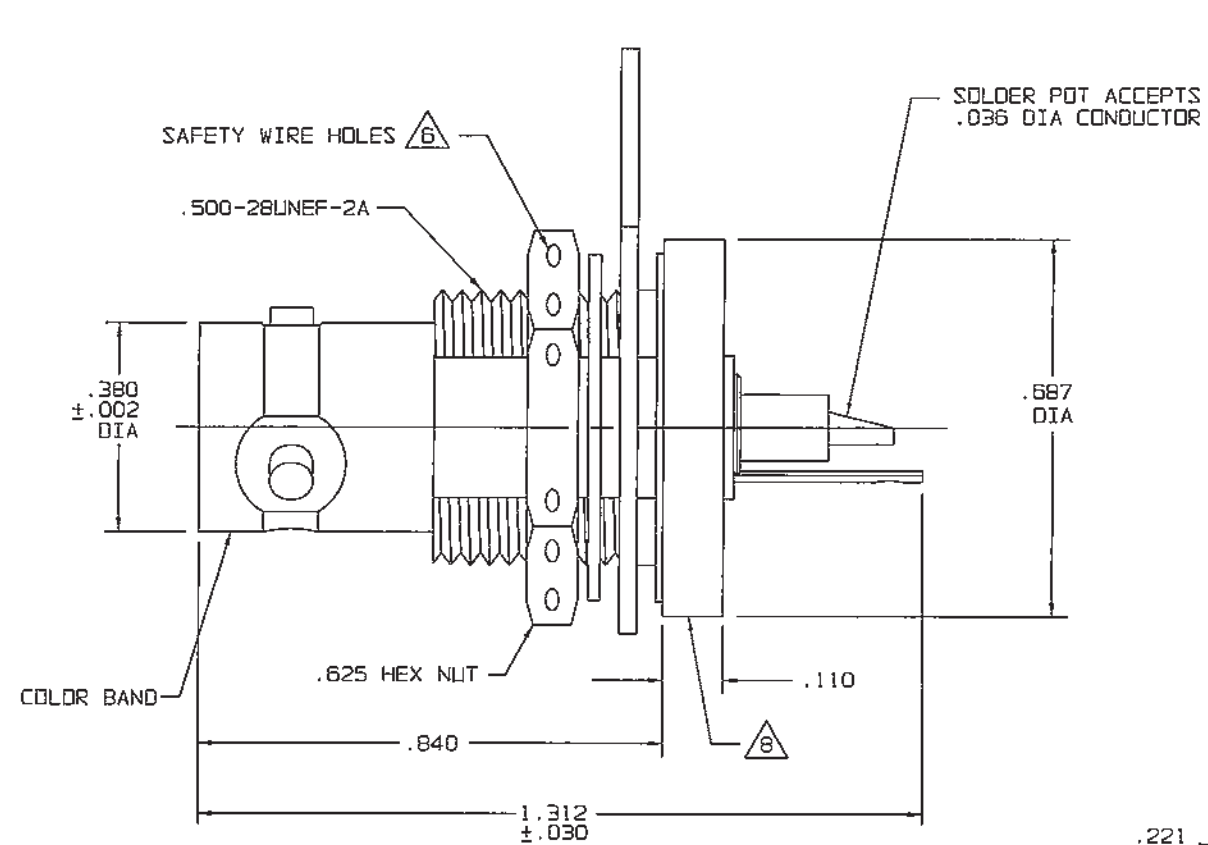
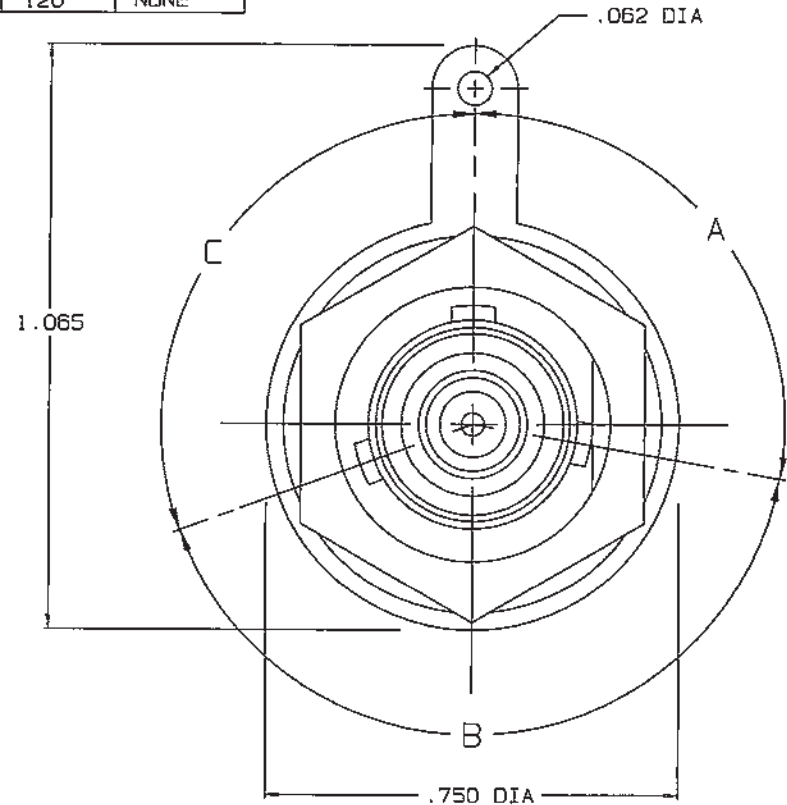
TABLE 1 POLARIZATION CHART					
DASH NO	KEYING LETTER	A DEGREES	B DEGREES	C DEGREES	COLOR BAND
-1	T	100°	150°	110°	RED
-2	U	120°	130°	110°	ORANGE
-3	V	115°	130°	115°	YELLOW
-4	W	125°	110°	125°	GREEN
-5	X	130°	100°	130°	BLUE
-6	Y	110°	140°	110°	VIOLET
-7	Z	100°	160°	100°	GRAY
-8	S	135°	135°	90°	WHITE
-9	NONE	120°	120°	120°	NONE

TABLE 2	
MILITARY PART NO (PIN)	TROMPETER PART NO (REF ONLY)
M49142/04-0004	M3-0128
M49142/04-0104	M3-0128Y
M49142/04-0204	M3-0128S

DATA CONTAINED IN THIS DOCUMENT IS PROPRIETARY TO TROMPETER ELECTRONICS INC. AND SHALL NOT BE DISCLOSED, COPIED OR USED FOR PRODUCTION OR MANUFACTURE WITHOUT EXPRESS WRITTEN PERMISSION OF TROMPETER ELECTRONICS INC.

REVISIONS		3-0128	SH 1
REV	DESCRIPTION	DATE	APPROVED
G	REVISED PER ECD 15465	5-14-09	mm

RED INDICATES ORIGINAL



RECOMMENDED
PANEL CUTOUT
SCALE: 2/1

7. WHEN CONNECTOR IS SUPPLIED TO MILITARY PART NO. (SEE TABLE 2):
- a) ALL PARTS NORMALLY PLATED TFS-1A OR TFS-1U (NICKEL) ARE TO BE PLATED TFS-1M (SILVER)
 - b) MARK PART IN AREA B WITH MILITARY PIN (SEE TABLE 2) AND "14949"
 - c) QUALITY CONFORMANCE INSPECTION SHALL BE PER MIL-C-49142 SECTION 4.5

6. HEX NUT WITH SAFETY HOLES IS SUPPLIED WHEN SUFFIX "-S" (SAFETY WIRE TYPE) IS REQ'D ONLY

5. IF SAFETY WIRE TYPE REQ'D, ADD SUFFIX "-S" TO MODEL NO AND PART NO, (SEE NOTE 7 & 8)

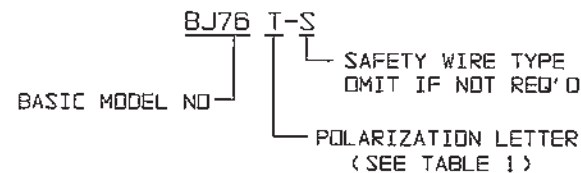
4. MAX PANEL THK .240 W/O SOLDER LUG
.208 THK W/ SOLDER LUG

3. CONCENTRIC TWINAX/TRIAX TRB
REAR MOUNT SOLDER POT
BULKHEAD RECEPTACLE

2. FINISH: TFS-1A (NICKEL) 7

1. ALL DIM ARE IN INCHES

8. EXAMPLE OF COMPLETE MODEL NO:



INTERPRET DRAWING PER MIL-STD-100 DIMENSIONS ARE IN INCHES AND INCLUDE FINISH THICKNESS UNLESS OTHERWISE SPECIFIED		TOL.: UNLESS SPECIFIED .XX ±.01 .XXX ±.005 .XXXX ±.0010 ANGLES ± 0° 30'		TROMPETER RF connectivity <small>a cinch connectivity solutions brand</small>	
DRAWN: AAH CHECKED: M/Mesh S/14/04 QUANTITY: M/Mesh S/14/04 FINISH: M/Mesh S/14/04 APPROVED: M/Mesh S/14/04 CAD FILE NO: 3-0128G	DATE: 5-14-04	MATERIAL:	TITLE: BJ76/T/U/V/W/X/Y/Z/S/-S	SIZE: B CAGE CODE: 14949	DRAWING NO.: 3-0128
NEXT ASSY:	DO NOT SCALE DWG	SCALE: 4/1	DATE: 12/15/87	SHEET: 1C	REV.: G