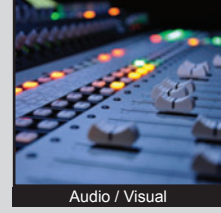


800C SERIES PUSHBUTTON SWITCH

ANTI-VANDAL SWITCHES
 DETECTOR SWITCHES
 DIP SWITCHES
 KEYLOCK SWITCHES
 NAVIGATION SWITCHES
PUSHBUTTON SWITCHES
 ROCKER SWITCHES
 ROTARY SWITCHES
 SLIDE SWITCHES
 SNAP ACTION SWITCHES
 TACTILE SWITCHES
 TOGGLE SWITCHES
 CAP OPTIONS



APPLICATIONS / MARKETS



RoHS

SPECIFICATIONS

Electrical Rating:
 Silver: 3A @ 120VAC or 28 VDC, 1A @250VAC
 Gold: 0.4VA @ 20V Max (AC or DC)
Electrical Life: 6,000 Cycles
Contact Resistance:
 Silver: 50mΩ Max initial
 Gold: 20mΩ Max initial
Insulation Resistance: 1,000 MΩ Min. @1000VDC
Dielectric Strength: 1000VAC for 1 minute
Operating/Storage Temperature: -30°C to 85°C
Travel: Electrical Make: 1.34mm / Full travel: 1.88mm
Circuit Function: SPDT
Actuation Force: 350 gf

FEATURES & BENEFITS

- Miniature in size
- Multiple termination options
- Alternating action pushbutton

PART NUMBER CONFIGURATOR

Series	Circuit	Bushing	Termination	Contact Material	Seal	Hardware
<input type="text" value="800C"/>	<input type="text" value="SP1 - ON-ON"/>	<input type="text" value="B5 - Threaded"/> <input type="text" value="B6 - Non-Threaded"/>	<input type="text" value="M1"/> <input type="text" value="M2"/> <input type="text" value="M6"/> <input type="text" value="M7"/>	<input type="text" value="Q - Silver"/> <input type="text" value="R - Gold"/>	<input type="text" value="E - Epoxy"/>	<input type="text" value="H - Hardware"/>

Specifications subject to change without notice



E-SWITCH®

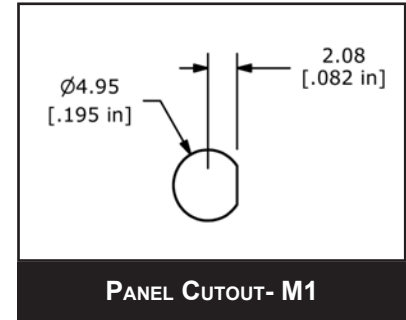
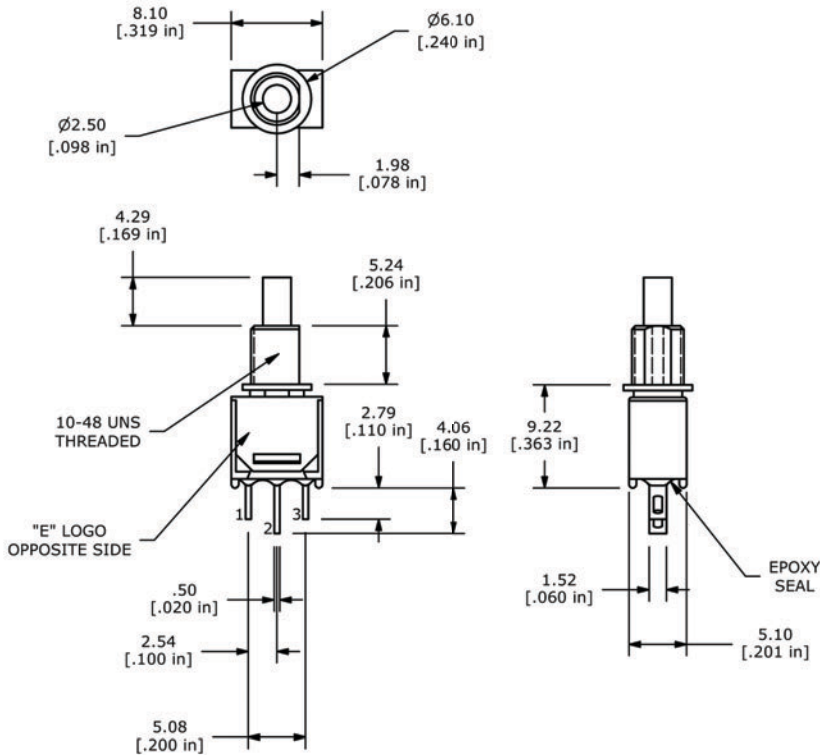
www.e-switch.com

800.867.2717

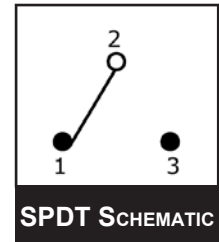
800C SERIES PUSHBUTTON SWITCH

SPDT DIMENSIONS

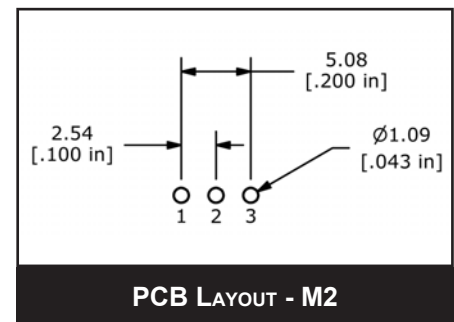
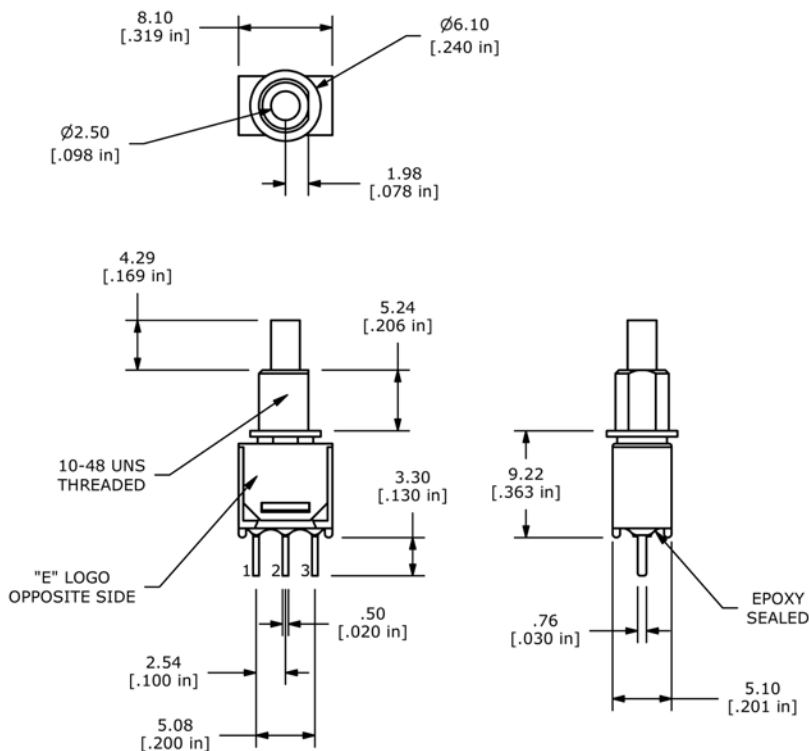
M1 Termination



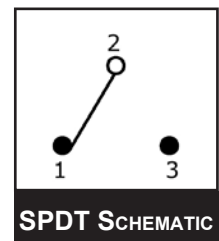
SWITCH FUNCTION	
POS. 1	POS. 2
2-1	2-3



M2 Termination



SWITCH FUNCTION	
POS. 1	POS. 2
2-1	2-3



ANTI-VANDAL SWITCHES
 DETECTOR SWITCHES
 DIP SWITCHES
 KEYLOCK SWITCHES
 NAVIGATION SWITCHES
PUSHBUTTON SWITCHES
 ROCKER SWITCHES
 ROTARY SWITCHES
 SLIDE SWITCHES
 SNAP ACTION SWITCHES
 TACTILE SWITCHES
 TOGGLE SWITCHES
 CAP OPTIONS

