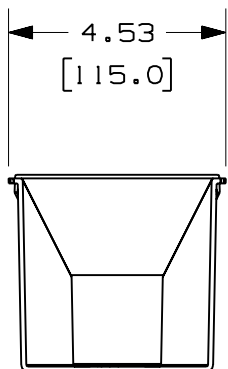
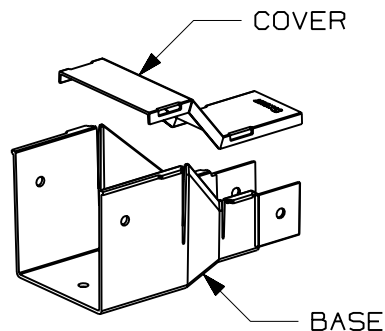


PANDUIT PART NUMBER	WEIGHT
FRF42	0.42 LB/EACH (190g/EACH)



NOTES:

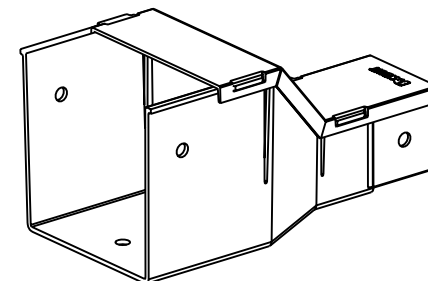
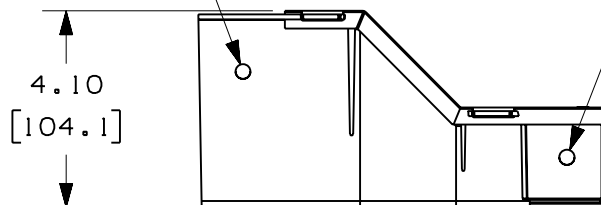
- SEE CURRENT CATALOG FOR ADDITIONAL PART SUFFIXES TO INDICATE COLOR AND/OR PACKAGE QUANTITY.
- DIMENSIONS IN PARENTHESES ARE IN METRIC.



3x .31 DIA
[7.9]

4.10
[104.1]

3x .32 DIA
[8.1]



ENG. REF.: D35245BS_DC_FRF42_03.prt

CAD FILENAME/LAYERS

F FRF42.pdf

PANDUIT CORP TINLEY PARK, ILLINOIS
FIBER-DUCT 4x4 TO FIBER-DUCT 2x2 AND FIBERRUNNER 2x2 REDUCER (FRF42)
CUSTOMER DRAWING

UNLESS OTHERWISE SPECIFIED, DIMENSIONAL TOLERANCES ARE:
 (.X) ± (.XXX) ±
 (.XX) ± .03 (.8) ANGLES ±

UNLESS OTHERWISE SPECIFIED, ALL DIMENSIONS ARE GIVEN IN INCHES, THIRD ANGLE PROJECTION.

DRAWN BY: JBA
 DATE: 12-12-96
 CHK'D: CEF

MAT'L: ABS

SCALE: NONE
 DRAWING NO.: 35245-19
 DWG SIZE: A

REV	DATE	BY	CHK	DESCRIPTION	ECN	R	CUST	SUP	GMBH
-	-----	---	---	I. REVISED MATERIAL. H. REVISED PART WEIGHT	-----	--	--		
-	-----	---	---	G. REVISED GENERAL NOTES F. REVISED CAD FILENAME	-----	--	--		
3	7-10-06	DTP	RN	E. REVISED DRAWING TITLE D. REVISED AND REDRAWN	35245-19	RN	RN		