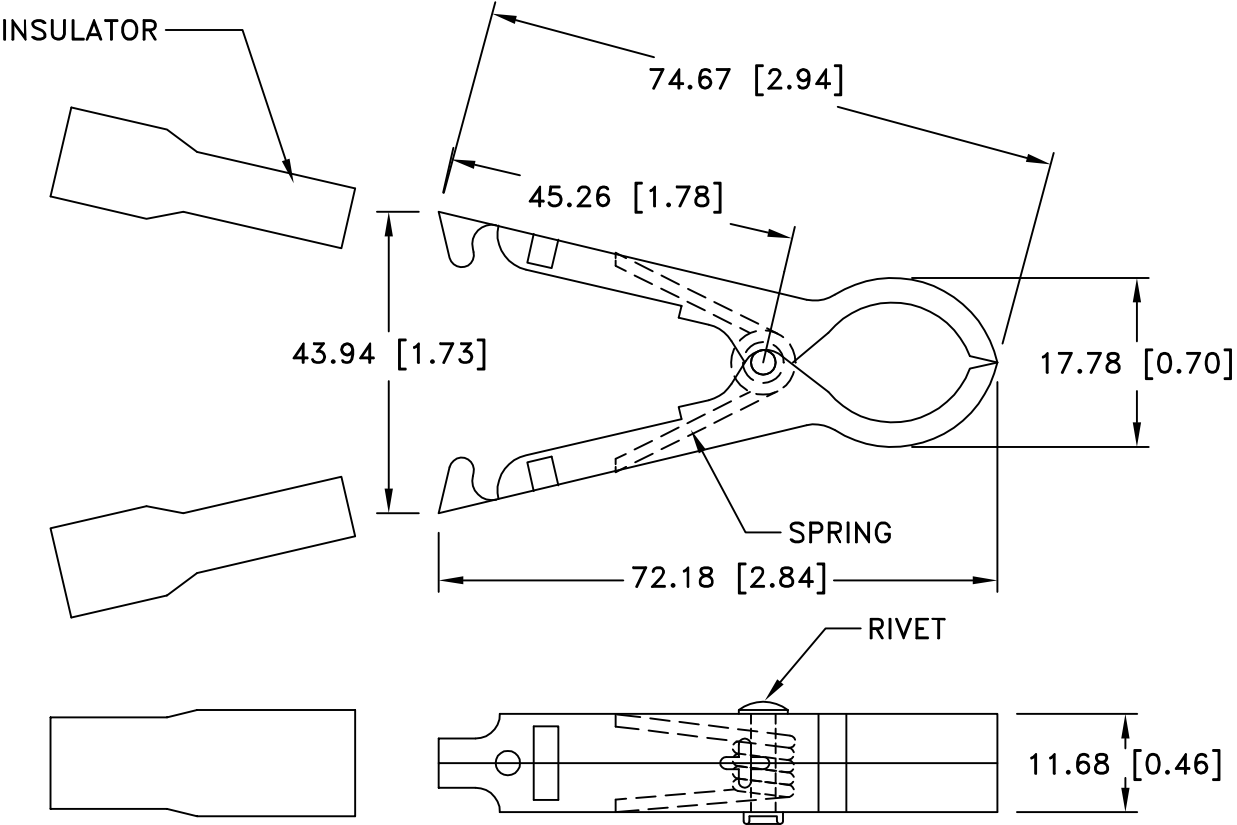



Date	SYM	REVISION RECORD	AUTH	DR.	CK.
6/24/06	A	ADDED "ROHS COMPLIANT"	T.B.	B.S.	



NOTES:
MATERIAL:
INSULATOR: PVC, BLACK
CLIP: 302 STN. STL., SPRING TEMPER, NICKEL PLTD.
SPRING:
RIVET: BRASS, NICKEL PLATED
ROHS COMPLIANT

Tolerance (Except as noted)	 Memory Protection Devices, Inc 200 Broad Hollow Road, Farmingdale, New York 11735	Scale	Drawn By B.S.
decimal ±.5 (.020)			Approved By T.B.
Fractional ± .8 (.030)	Title INSULATED BATTERY CLIP		
Angular ± 3°	Date 6/24/06	Drawing Number ZB3010-B	