

DETAILS

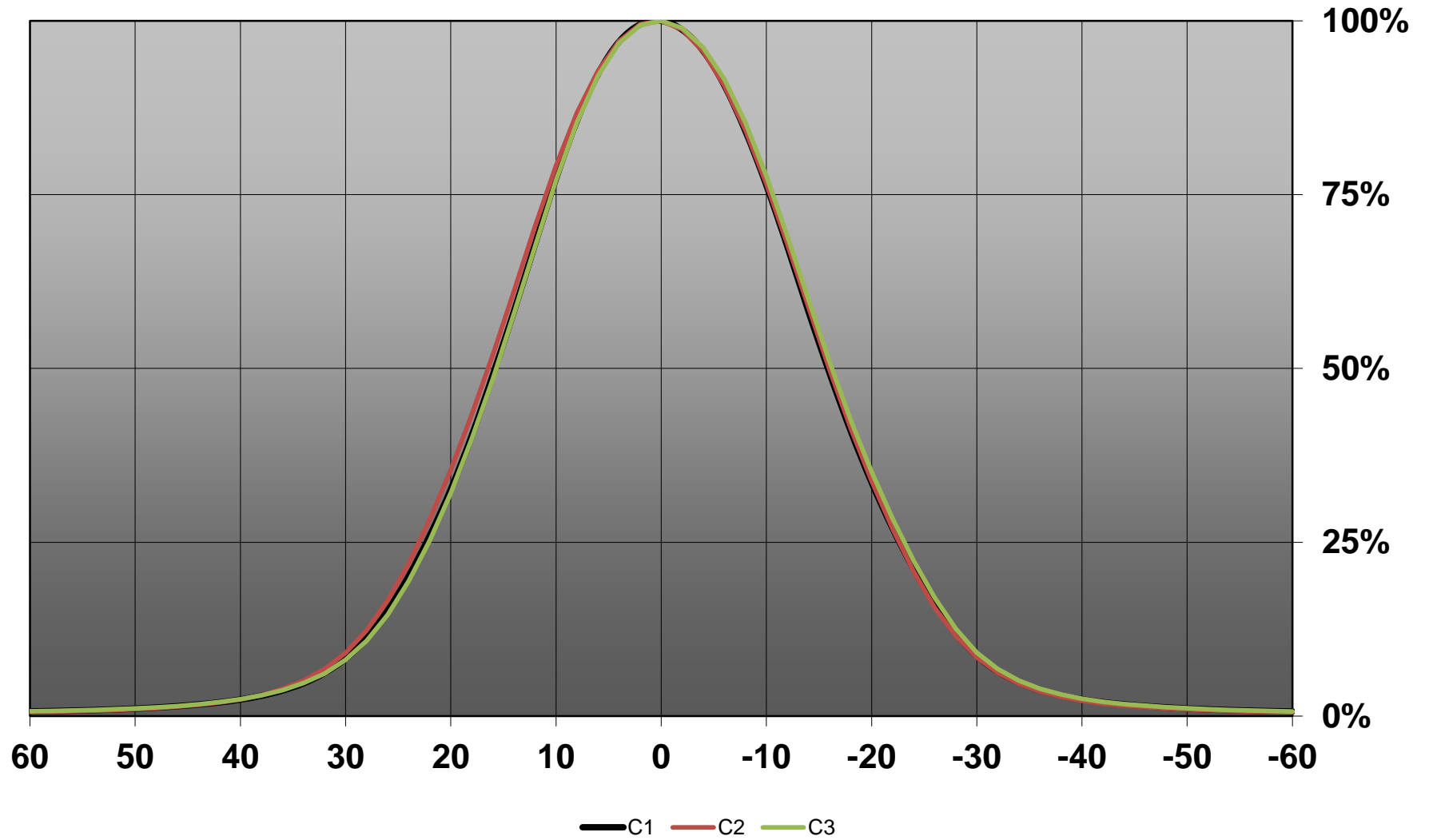
Product Number	C12782_MELODY-4-M
Family	Melody
Type	Lens array
Color	clear
Diameter	50,6 mm
Height	11,9 mm
Style	round
Optic Material	PMMA
Holder Material	
Fastening	pin, glue
Status	production ready
ROHS Compliant	Yes
Date Updated	25/01/2013

OPTICAL PROPERTIES

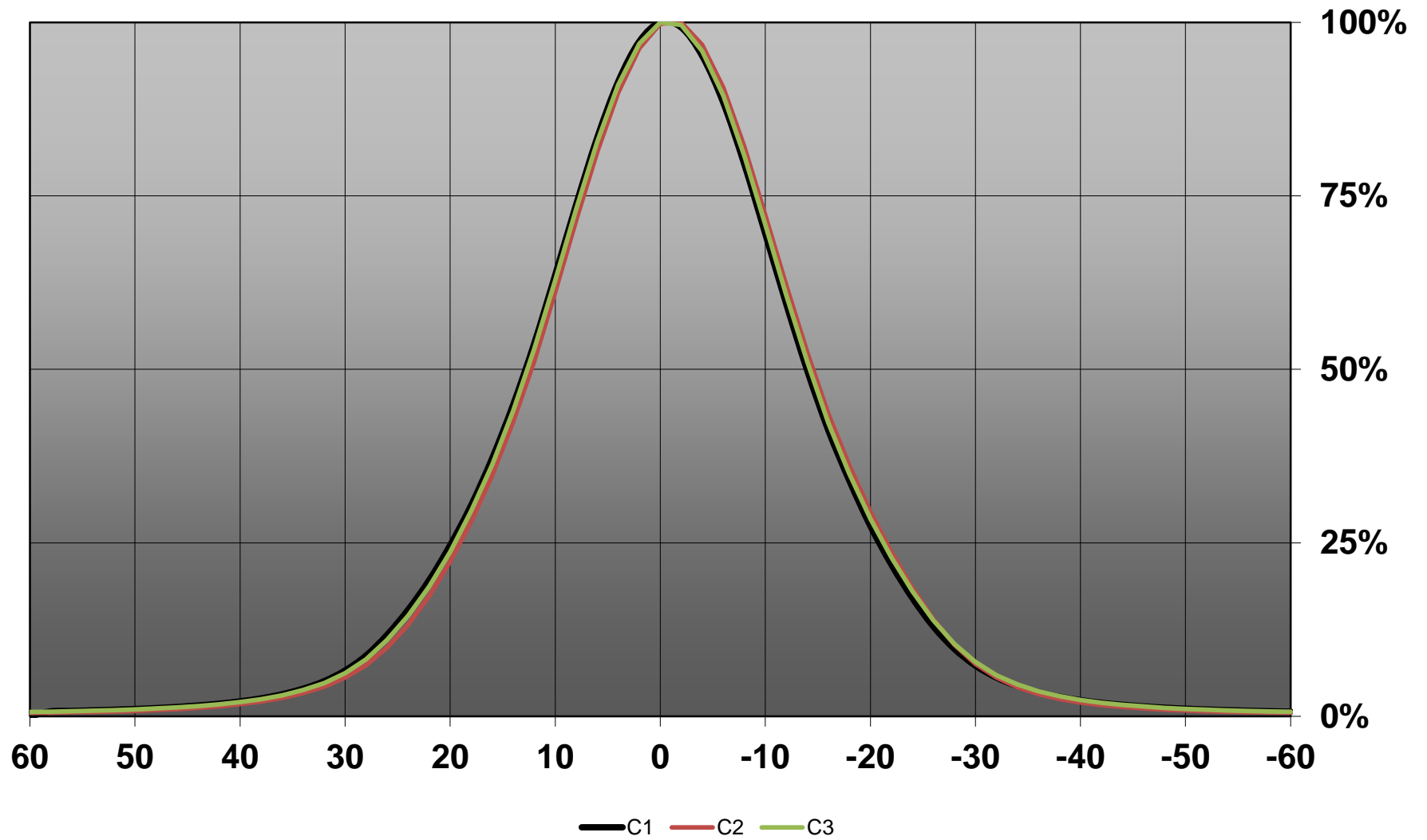
LED	Viewing	Light	Efficiency	cd/lm	Connector
	Angle	Beam			
XP-G	30 deg	Medium	92 %	2.500	-
XT-E	27 deg	Medium	90 %	2.900	-
XB-D	27 deg	Medium	89 %	2.800	-
XP-G2	32 deg	Medium	87 %	2.500	-
XP-E2	28 deg	Medium	85 %	2.800	-
LUXEON A	32 deg	Medium	91 %	2.500	-
LUXEON Rebel	29 deg	Medium	90 %	2.900	-
NCSxx19A	26 deg	Medium	89 %	3.100	-
NVSxx19B/NVSxx19C	30 deg	Medium	89 %	2.500	-
NCSxx19B	27 deg	Medium	84 %	2.800	-
Oslon SSL 80	27 deg	Medium	89 %	2.900	-
LH351Z	36 deg	Medium	87 %	1.900	-



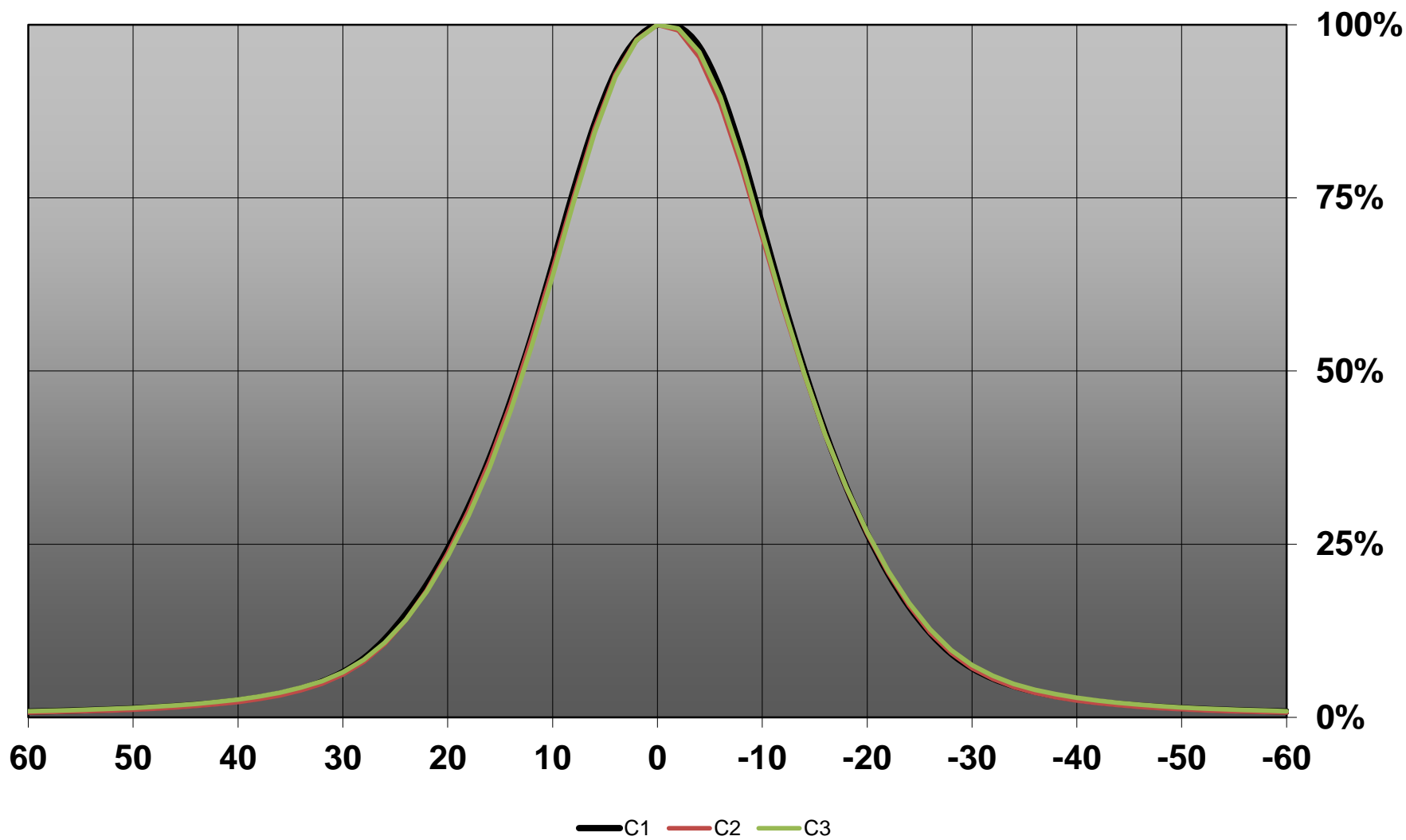
Relative intensity of C12782_MELODY-4-M-XPG



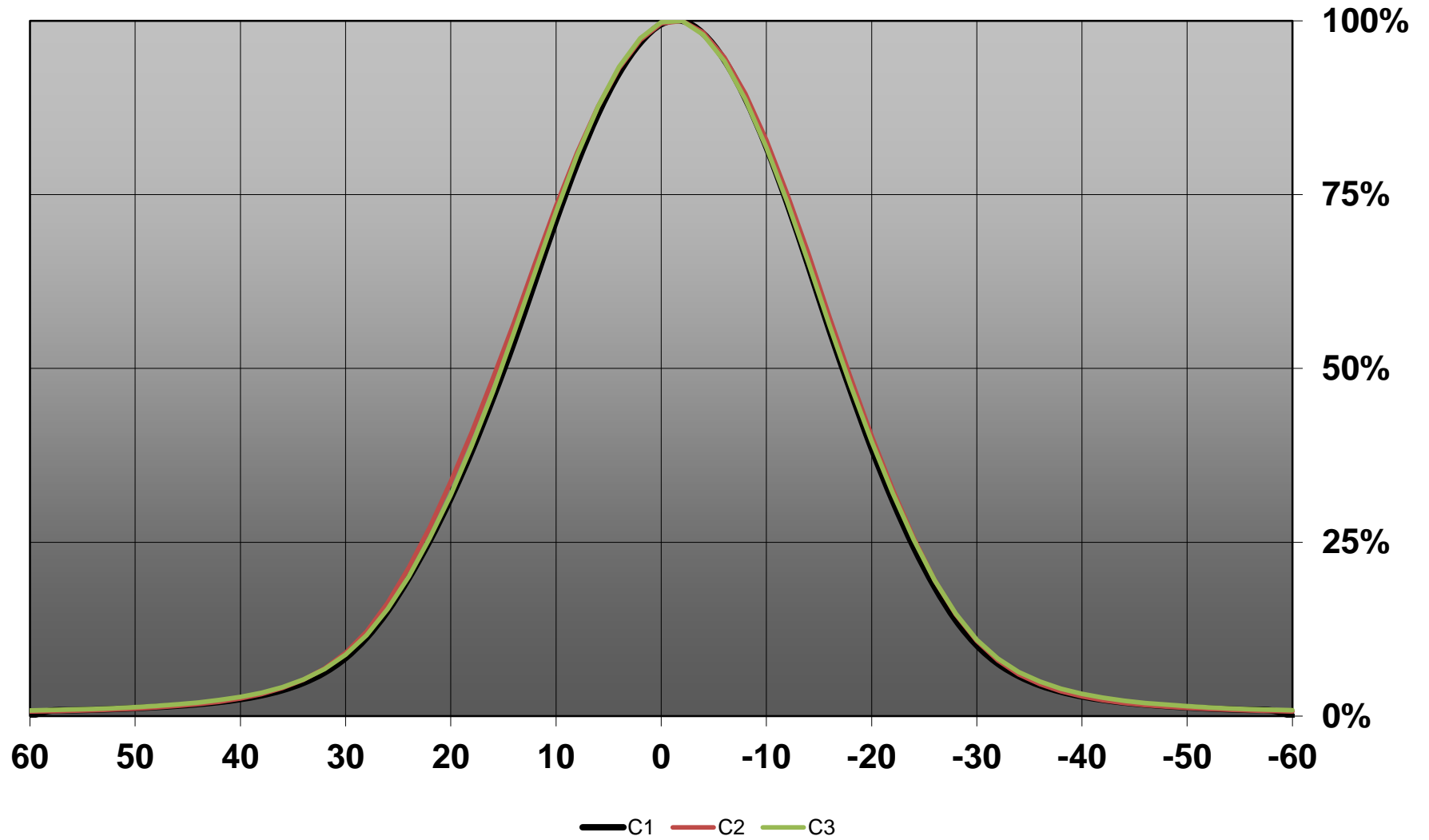
Relative intensity of C12782_MELODY-4-M



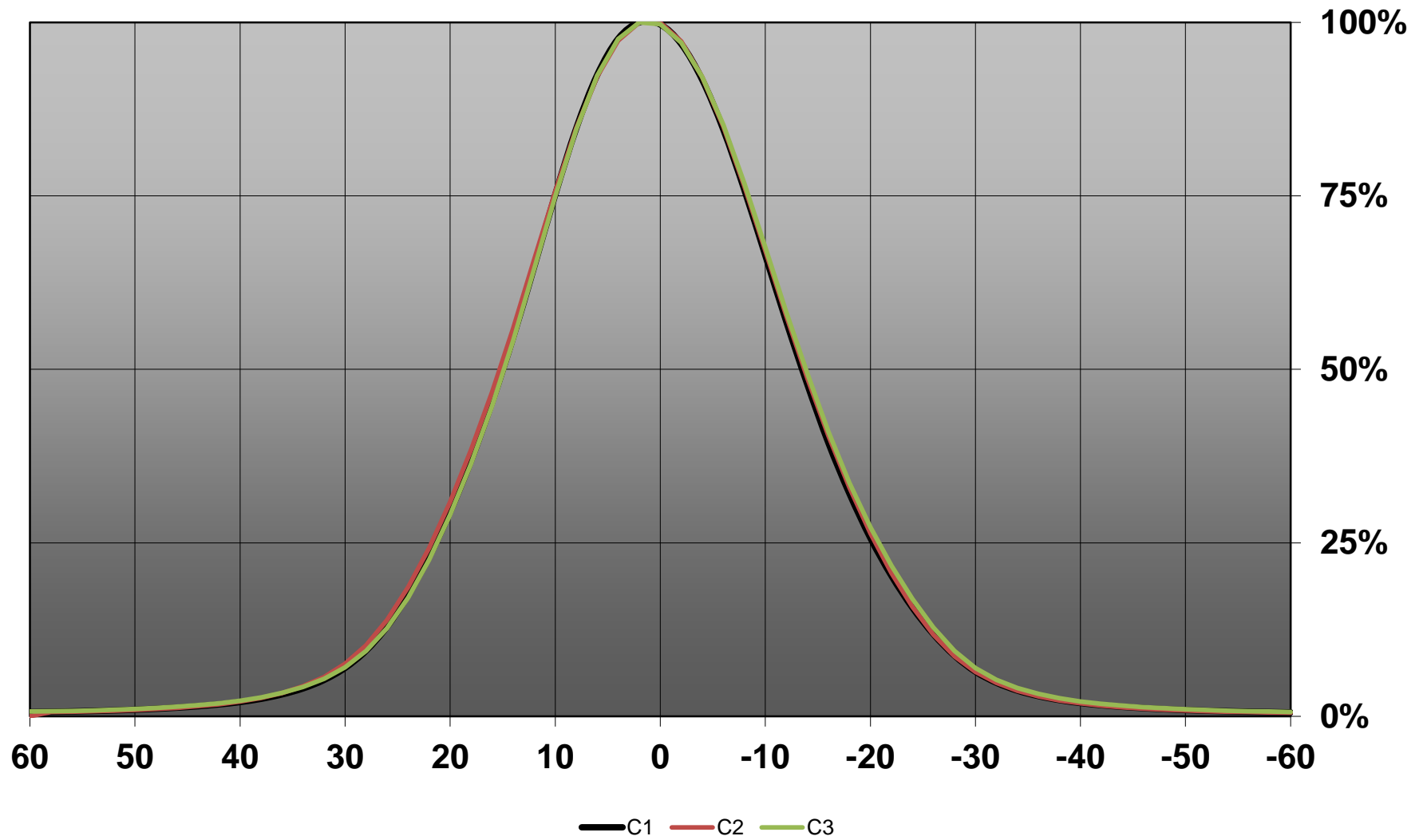
Relative intensity of C12782_MELODY-4-M-XBD



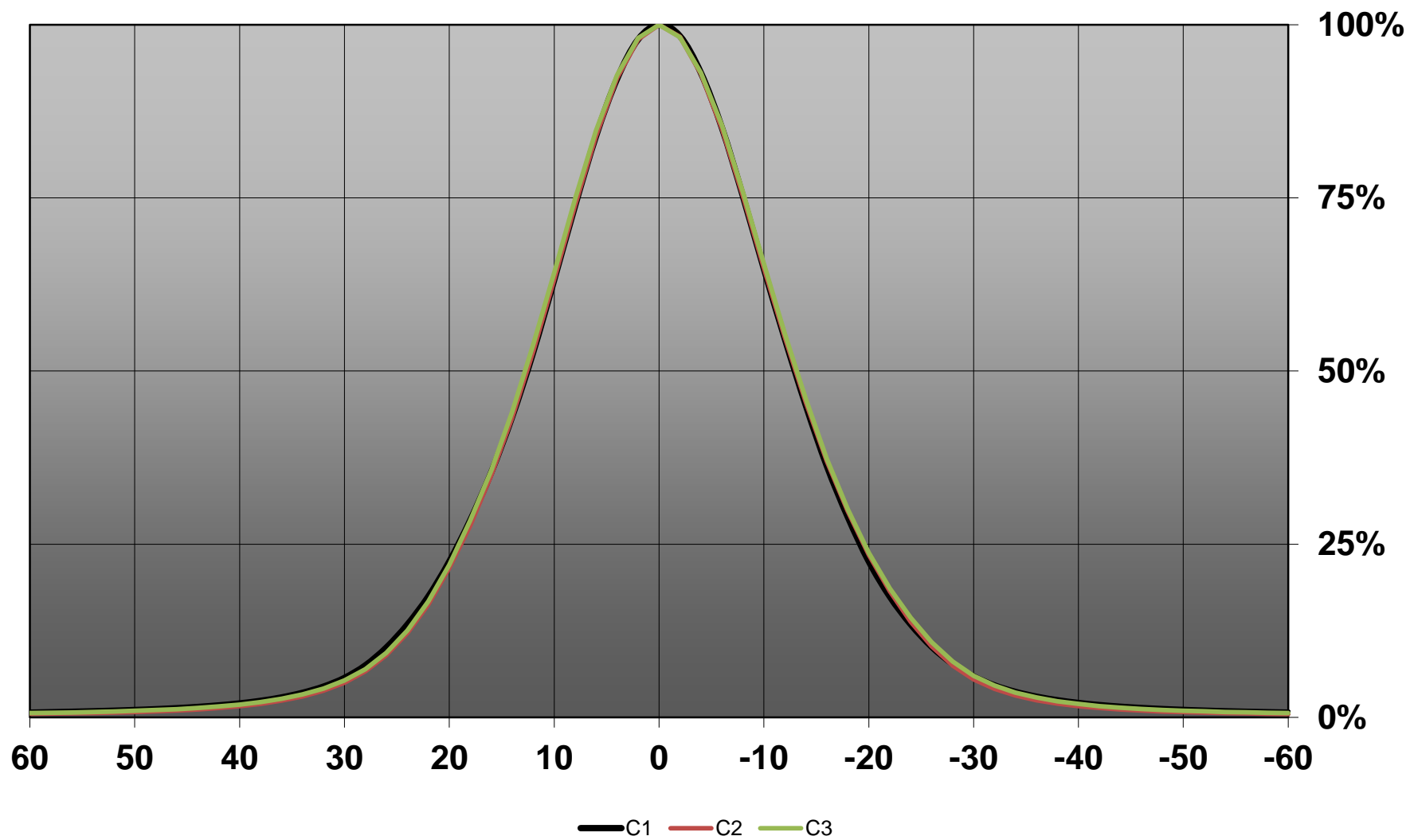
Relative intensity of C12782_MELODY-4-M-LuxA



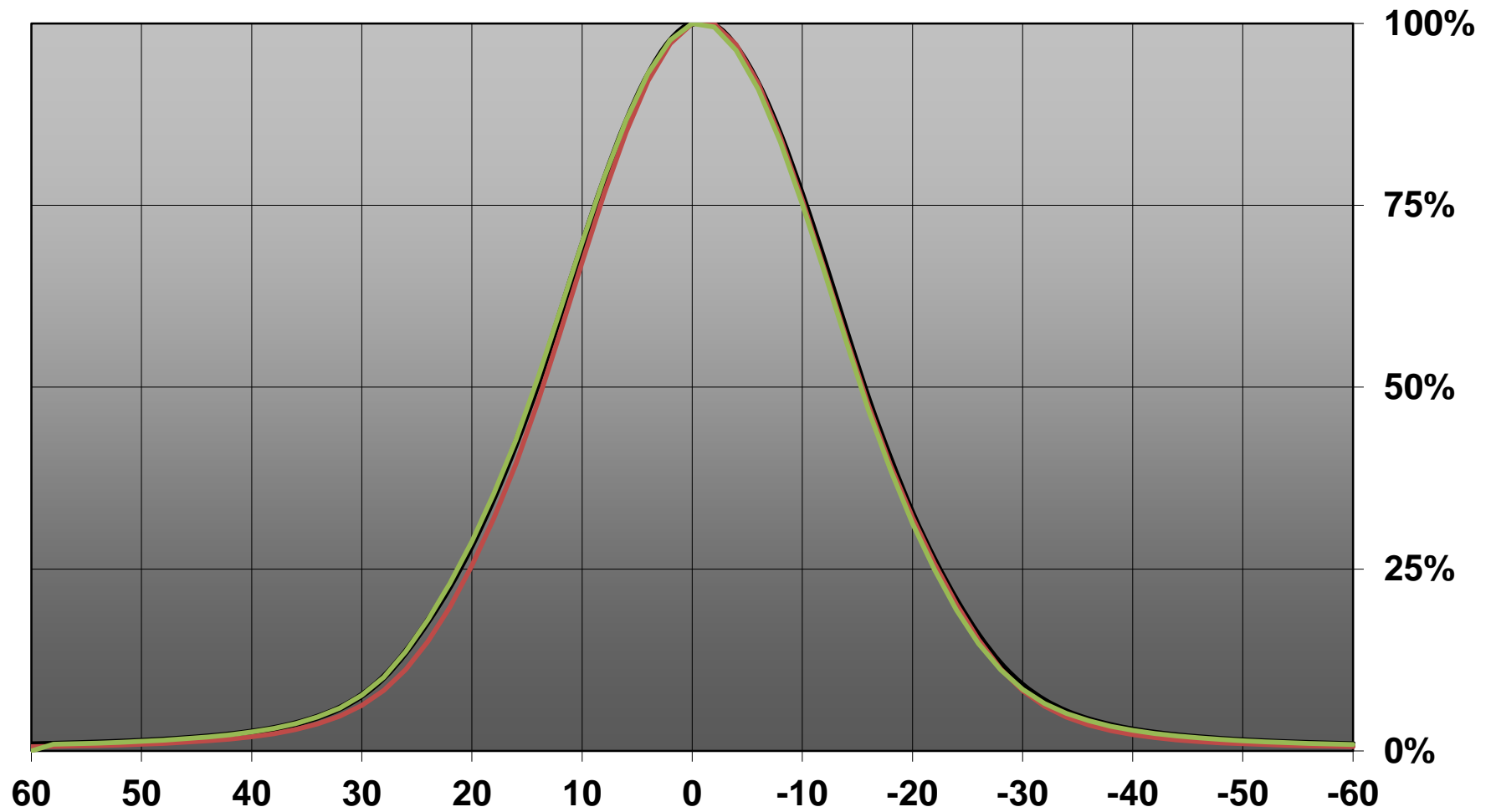
Relative intensity of C12782_MELODY-4-M-RE



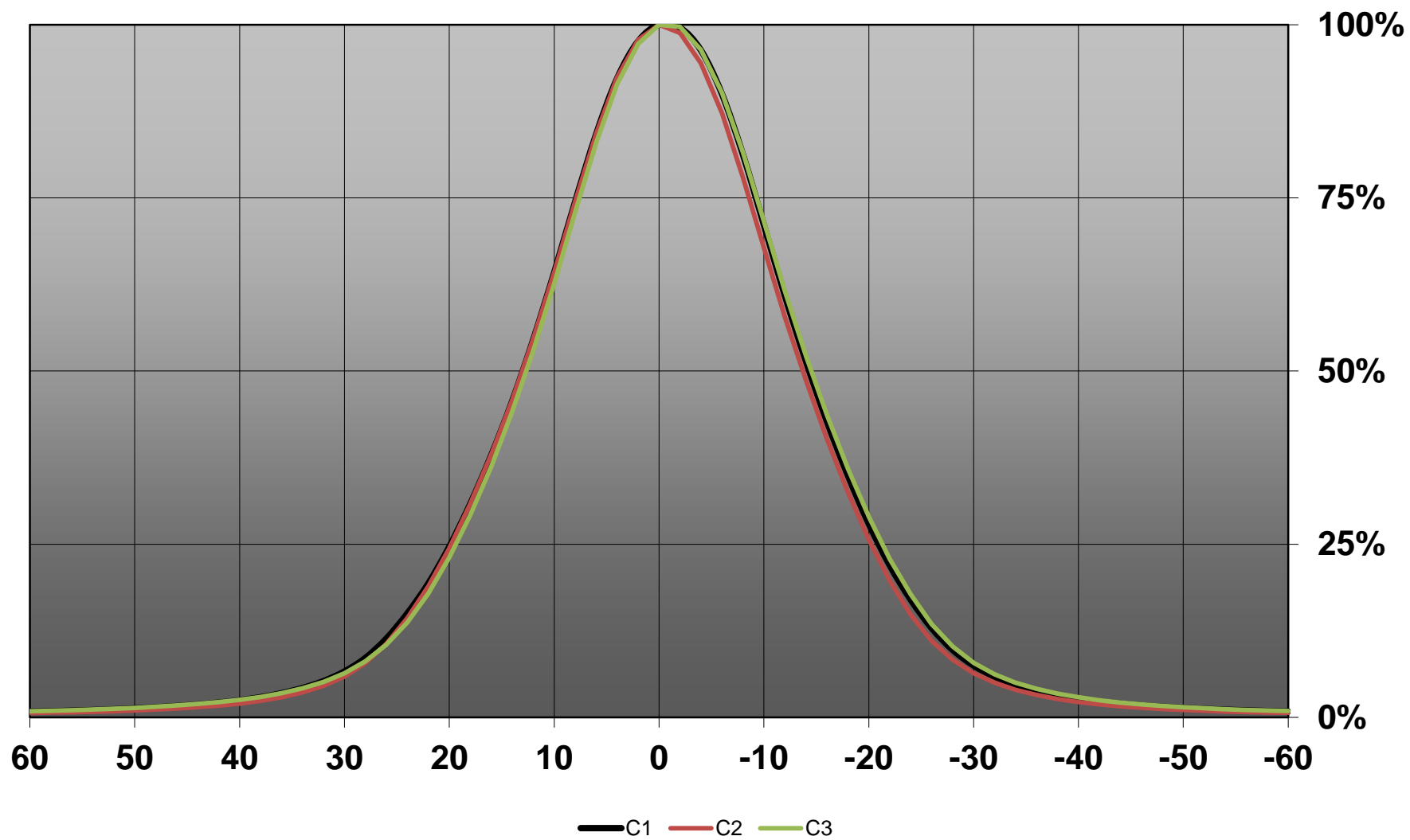
Relative intensity of C12782_MELODY-4-M-N119



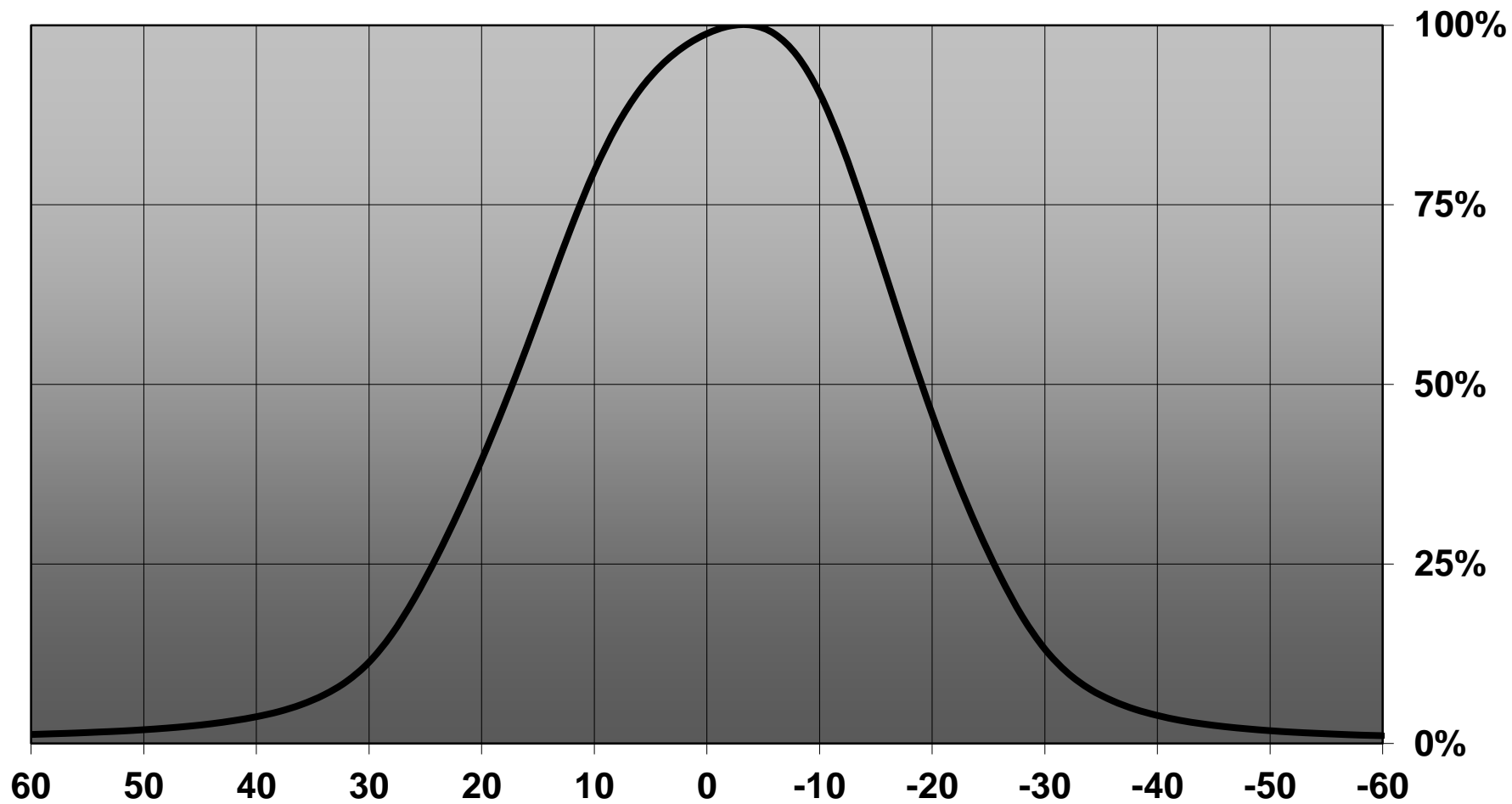
Relative intensity of C12782_MELODY-4-M-N219



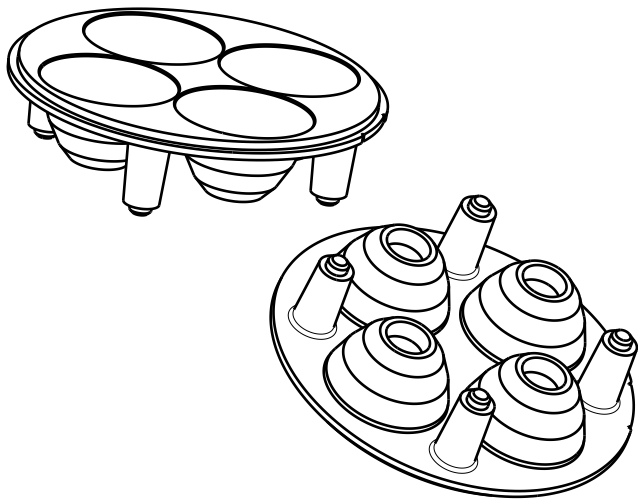
Relative intensity of C12782_MELODY-4-M-OSL80



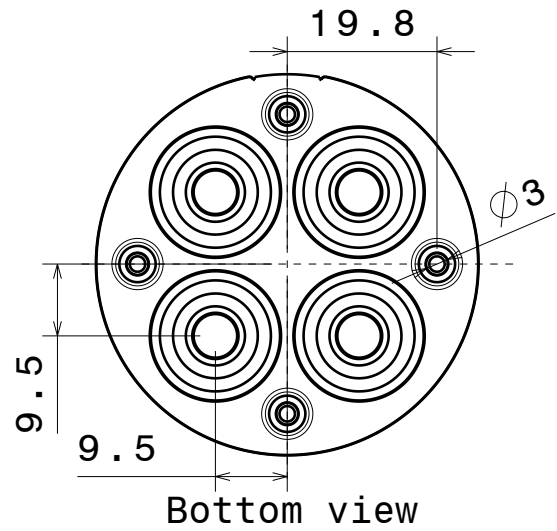
Relative intensity of C12782_MELODY-4-M_(LH351Z)



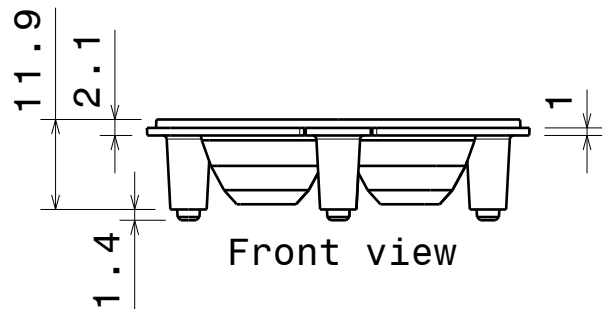
— 1: 0-180



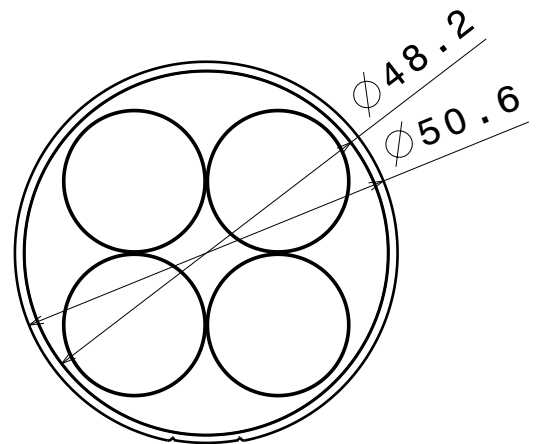
Isometric view



Bottom view



Front view



Top view

Material: PMMA

Tolerances for dimensions:
 0-20mm tolerance value $\pm 0.1\text{mm}$
 21-45mm tolerance value $\pm 0.2\text{mm}$
 46-90mm tolerance value $\pm 0.3\text{mm}$
 91-100mm tolerance value $\pm 0.4\text{mm}$
 101-mm tolerance value $\pm 0.5\text{mm}$

This drawing is our property.
 It can't be reproduced
 or communicated without
 our written agreement.



Ledil Oy
 Salorankatu 10
 FIN 24240 SALO
 Finland

DRAWING TITLE

Datasheet MELODY-4 series

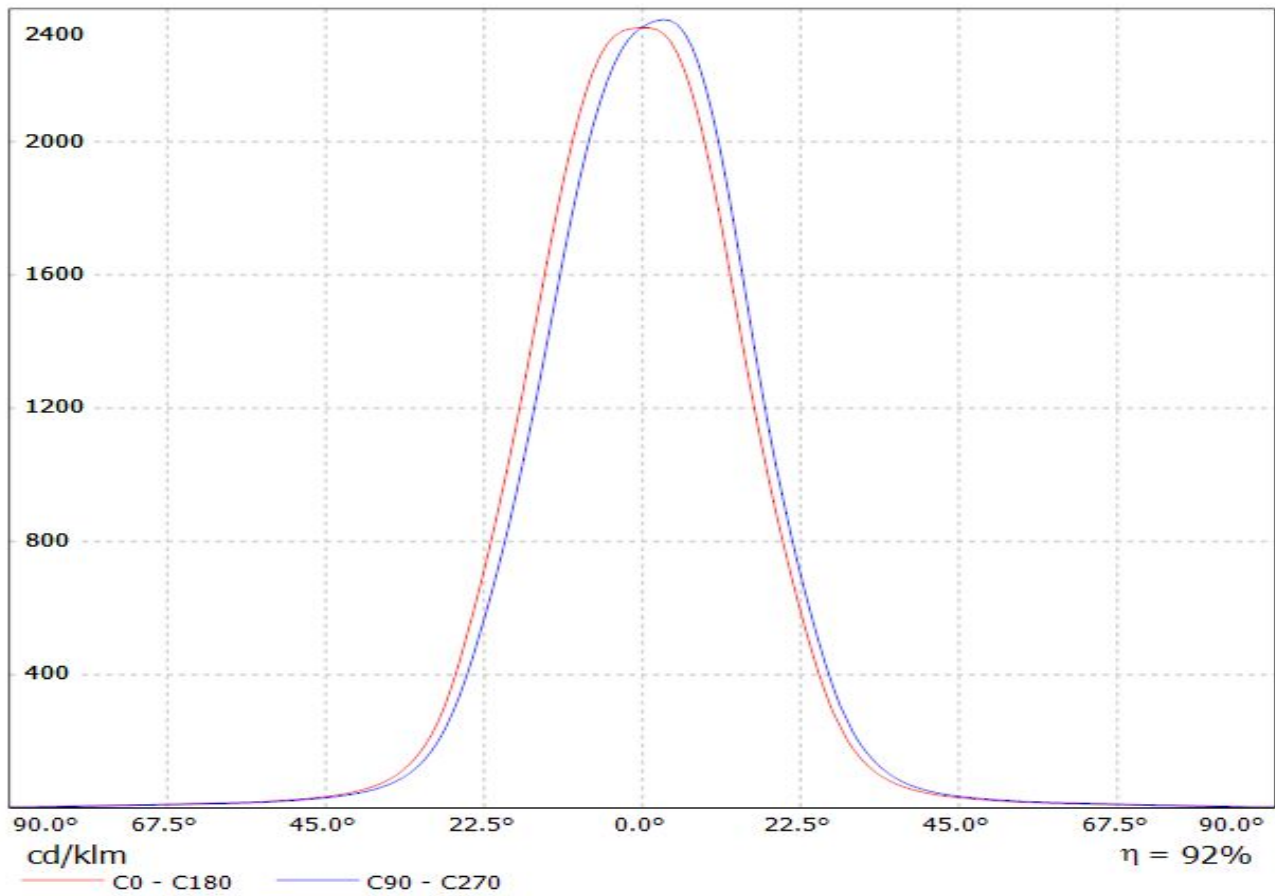
DRAWN BY
 mav
 DATE
 18.04.2012

CHECKED BY
 sn
 DATE
 18.04.2012

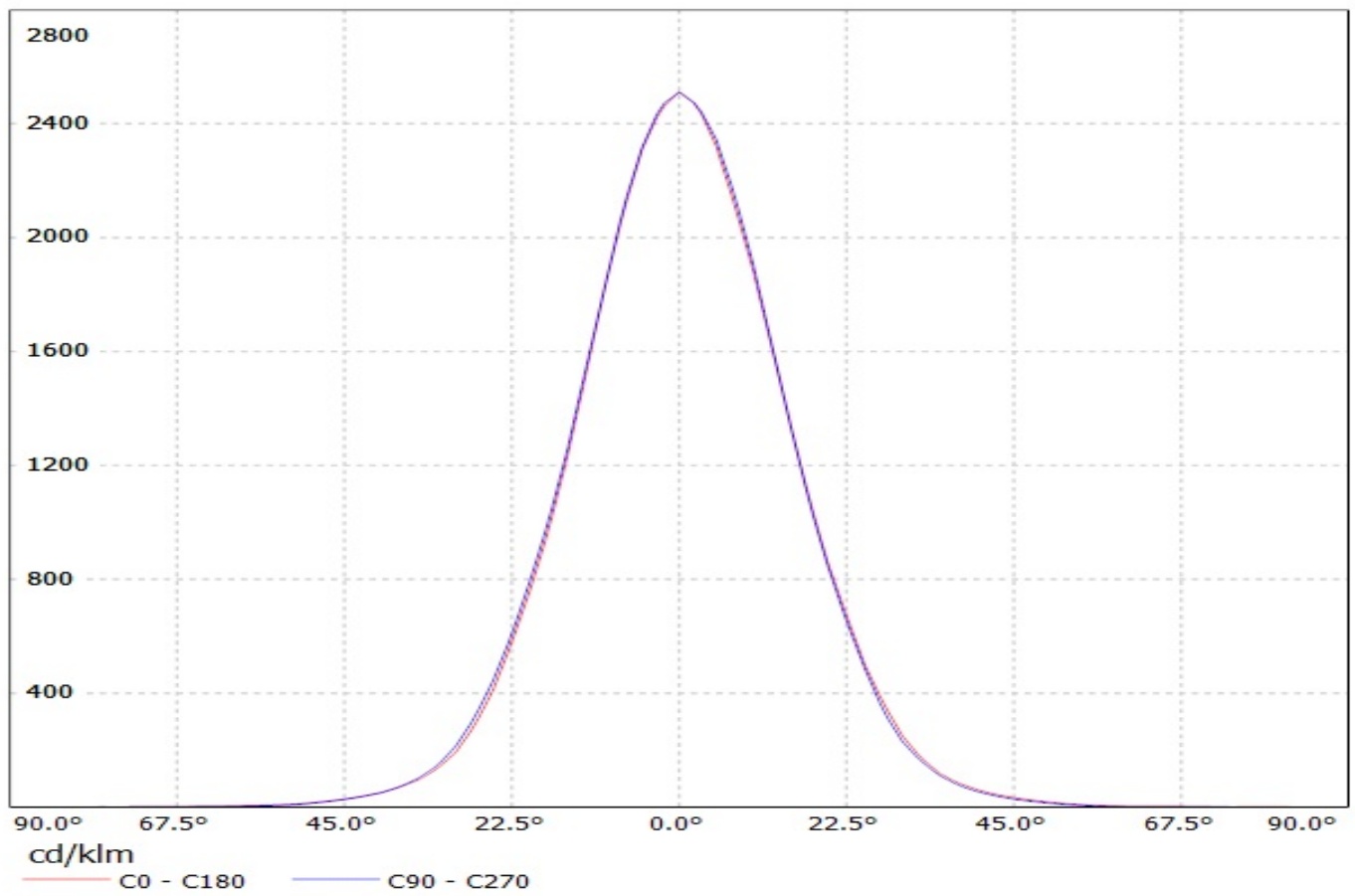
DESIGNED BY
 mav
 DATE
 06.03.2012

SIZE A4	DRAWING NUMBER -	REV 1
SCALE 1:1	WEIGHT (g)	SHEET 1/1

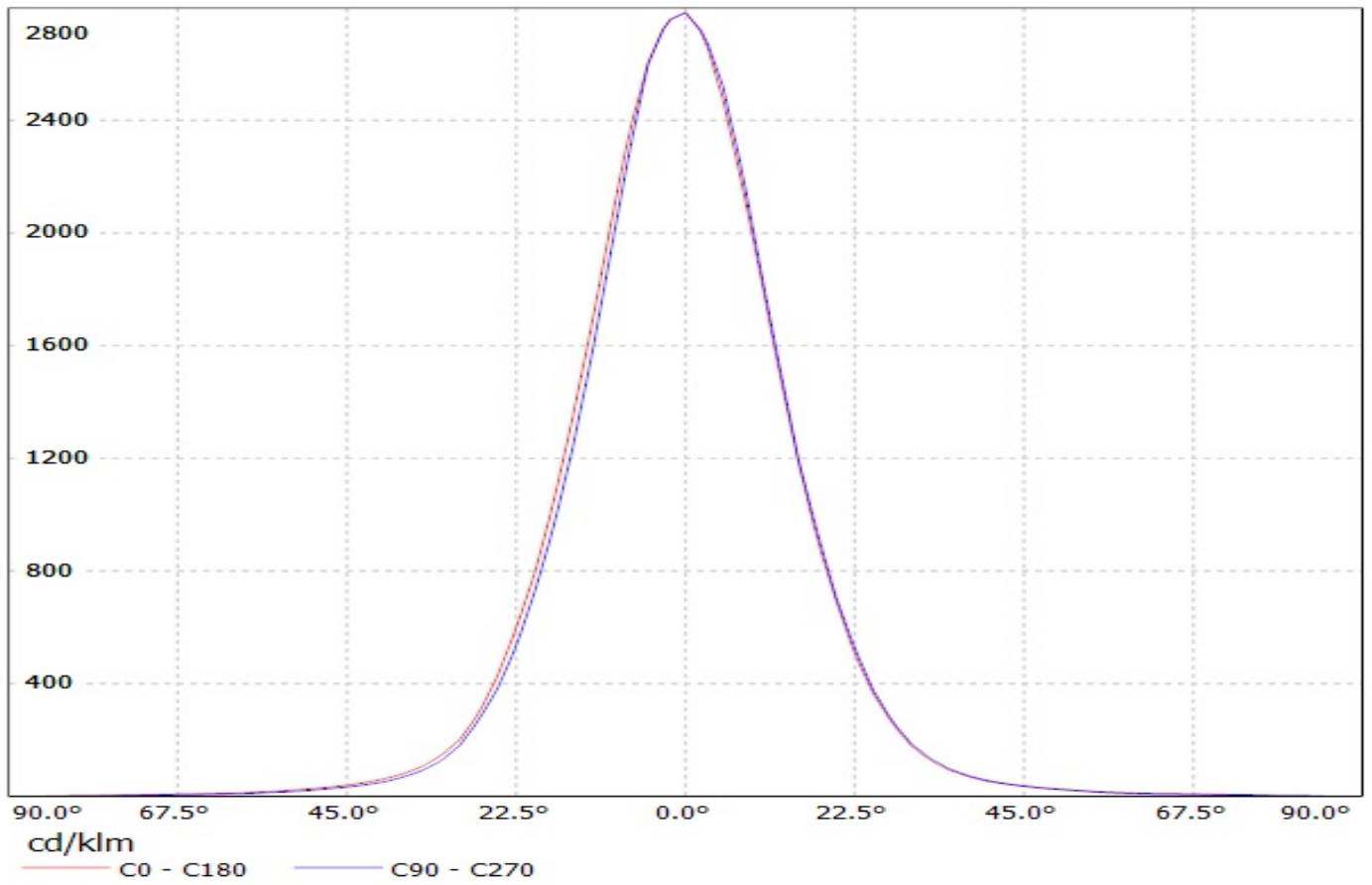
Luminaire: LEDIL OY C12782_MELODY-4-M (XP-G) Efficiency=92%
Lamps: 1 x XP-G MELODY (267lm @ 250mA)



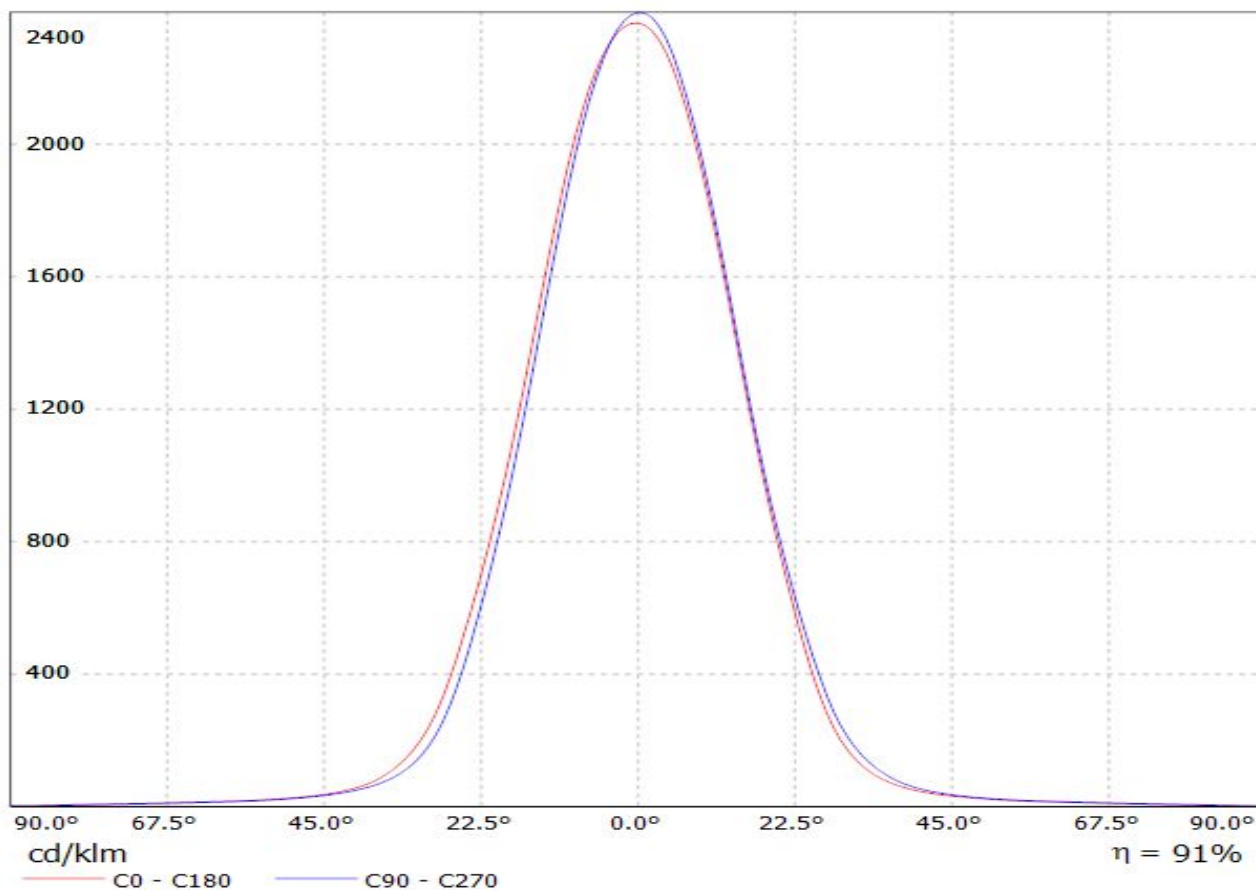
Luminaire: LEDil Oy C12782_MELODY-4-M_(XP-G2) Efficiency=87%
Lamps: 1 x Cree XP-G2 (XPGBWT-L1-000-00G51) 420lm @ 250mA CCT=7300K P=2.9W I=250mA



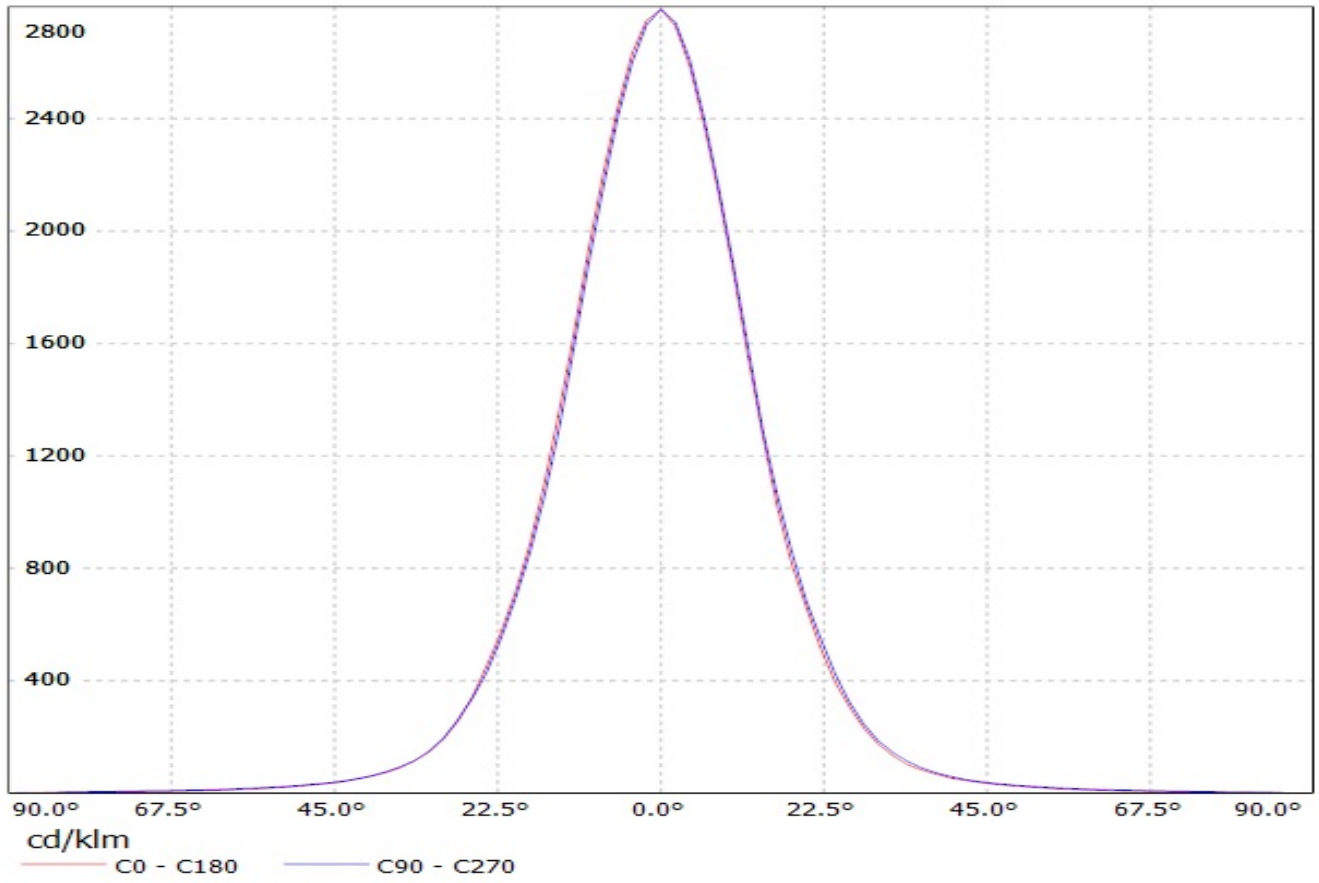
Luminaire: LEDil Oy C12782_MELODY-4-M_(XP-E2) Efficiency=85%
Lamps: 1 x Cree XP-E2 (XPEBWT-L1-7B4-Q4-0-01) 336lm @ 250mA CCT=3200K P=2.9W I=250mA



Luminaire: LEDIL OY C12782_MELODY-4-M (Luxeon A) Efficiency=92%
Lamps: 1 x Luxeon A MELODY (267lm @ 250mA)

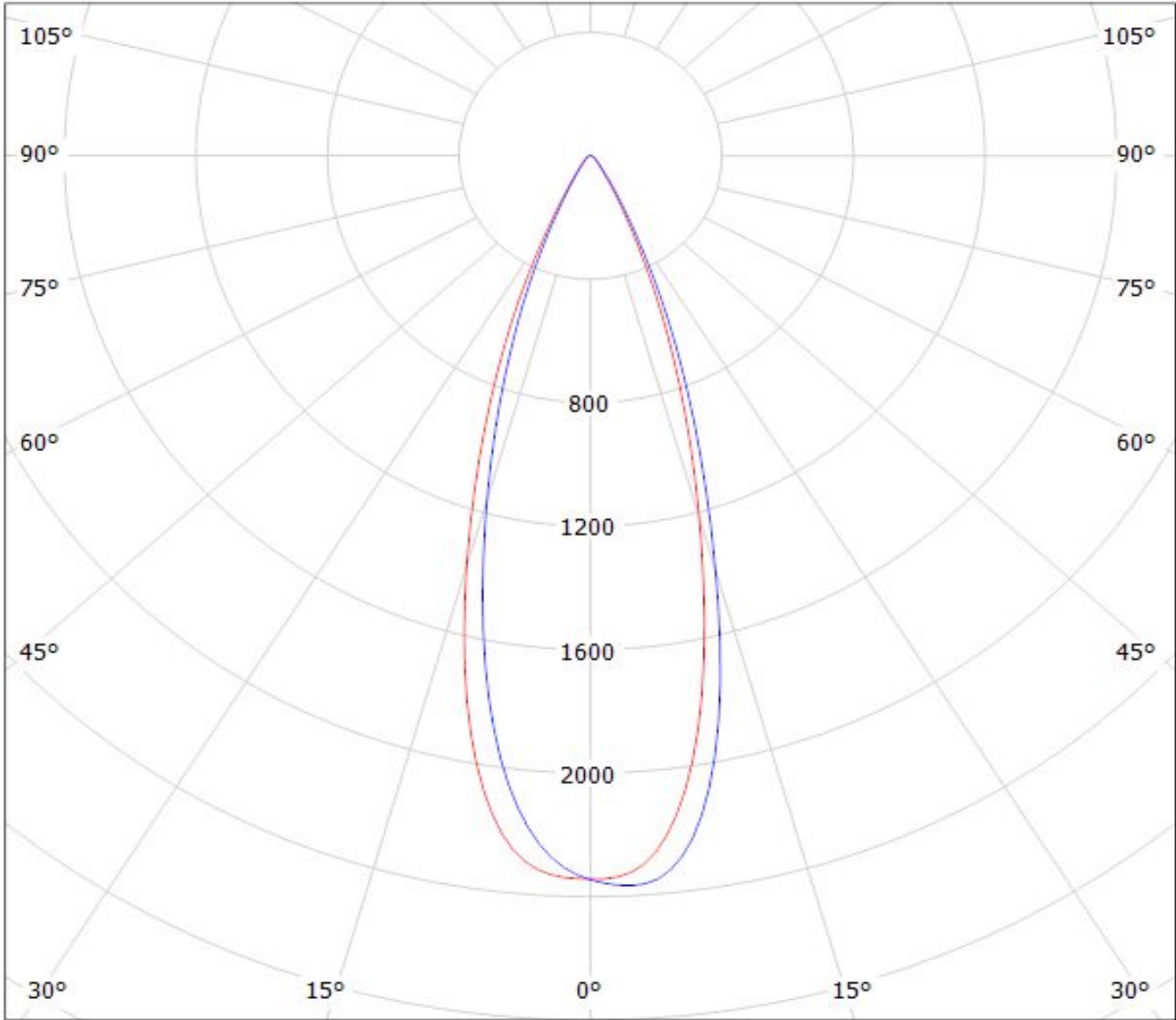


Luminaire: LEDiL Oy C12782_MELODY-4-M_(NCSxx19B) Efficiency=84%
Lamps: 1 x Nichia NCSxx19B (NCSL119BE) 347lm @ 250mA CCT=3000K P=3.1W I=250mA



Luminaire: LEDIL OY C12782_MELODY-4-M (XP-G) Efficiency=92%

Lamps: 1 x XP-G MELODY (267lm @ 250mA)



cd/klm

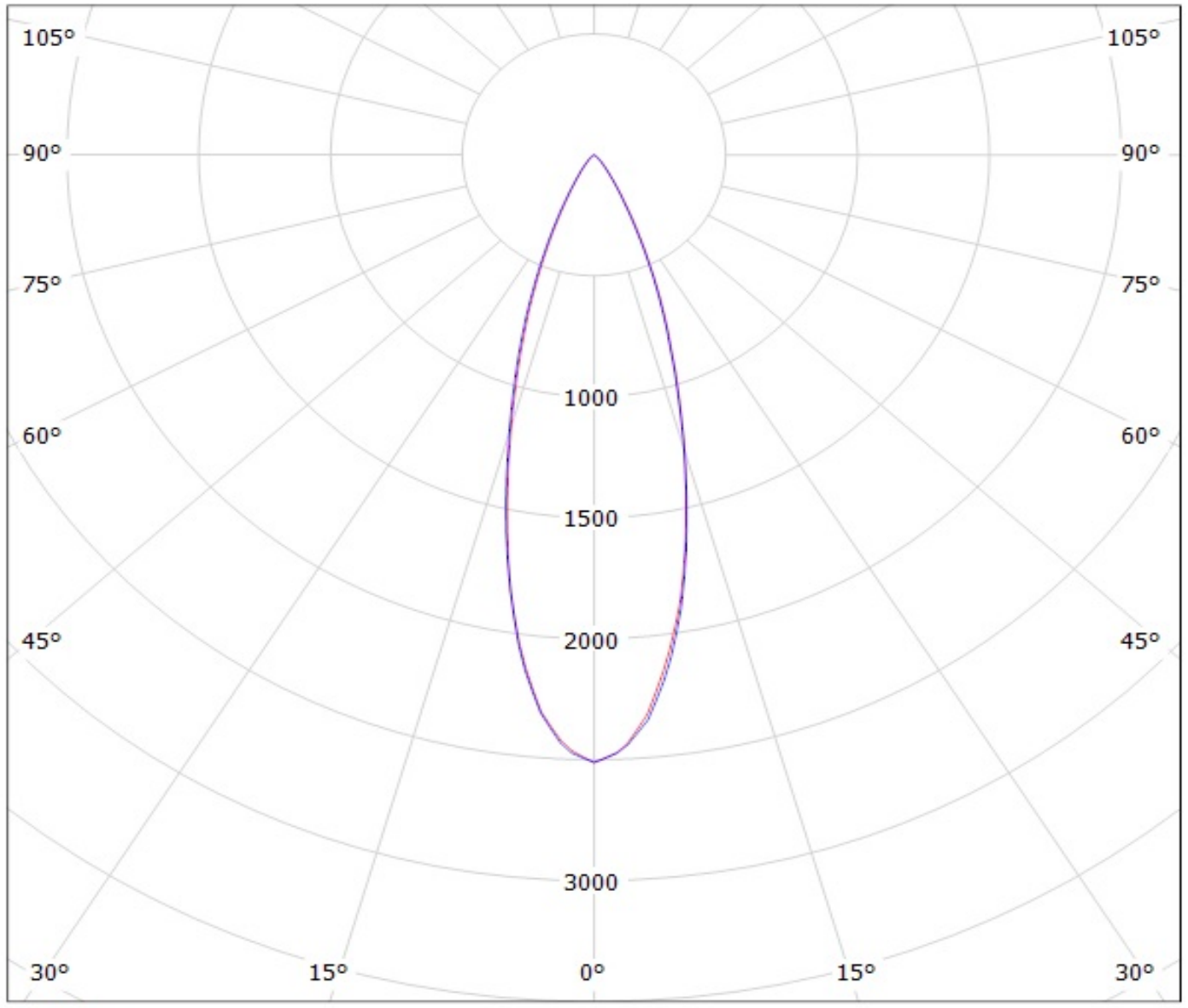
— C0 - C180

— C90 - C270

$\eta = 92\%$

Luminaire: LEDil Oy C12782_MELODY-4-M_(XP-G2) Efficiency=87%

Lamps: 1 x Cree XP-G2 (XPGBWT-L1-000-00G51) 420lm @ 250mA CCT=7300K P=2.9W I=250mA



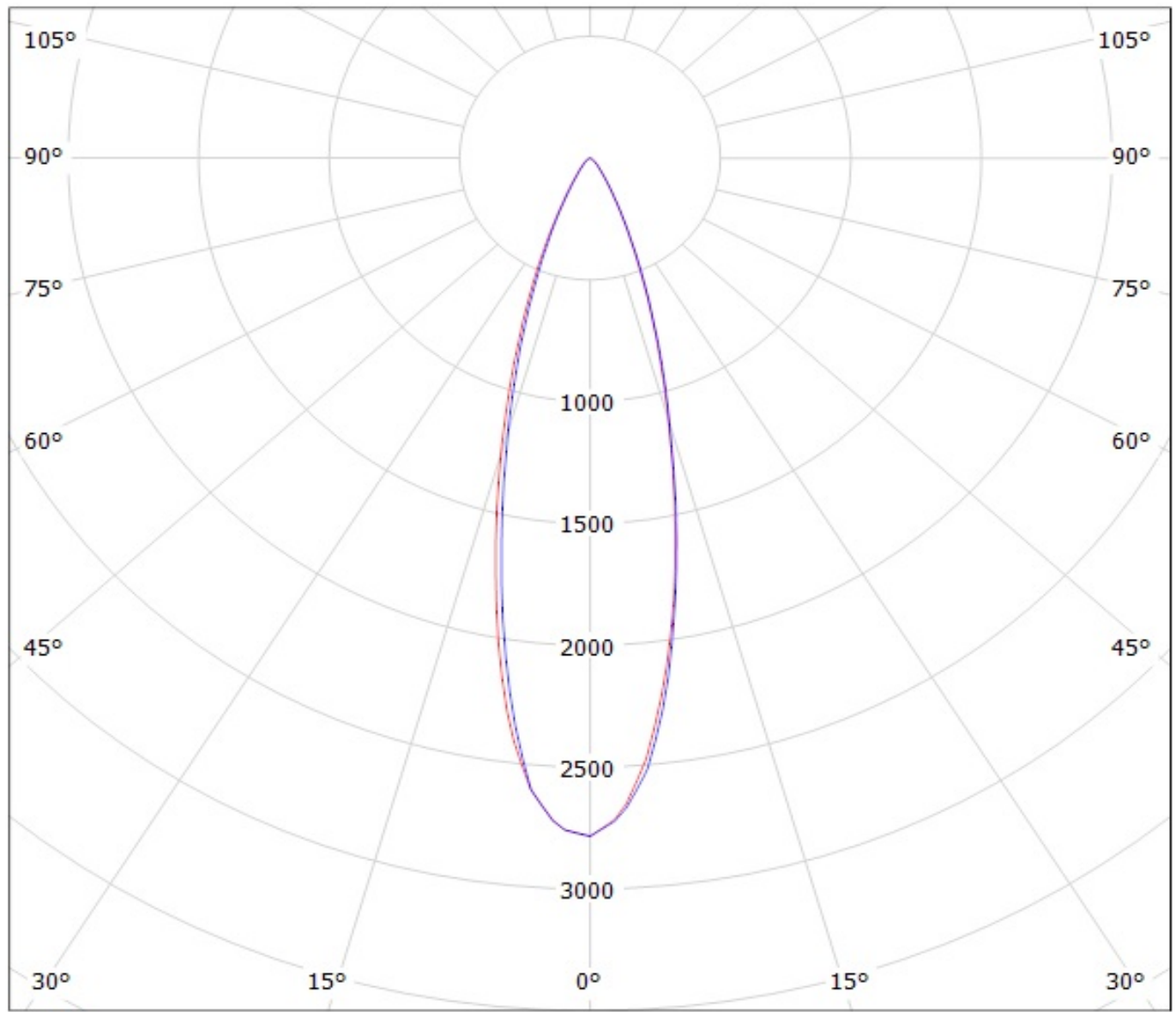
cd/klm

— C0 - C180

— C90 - C270

Luminaire: LEDil Oy C12782_MELODY-4-M_(XP-E2) Efficiency=85%

Lamps: 1 x Cree XP-E2 (XPEBWT-L1-7B4-Q4-0-01) 336lm @ 250mA CCT=3200K P=2.9W I=250mA

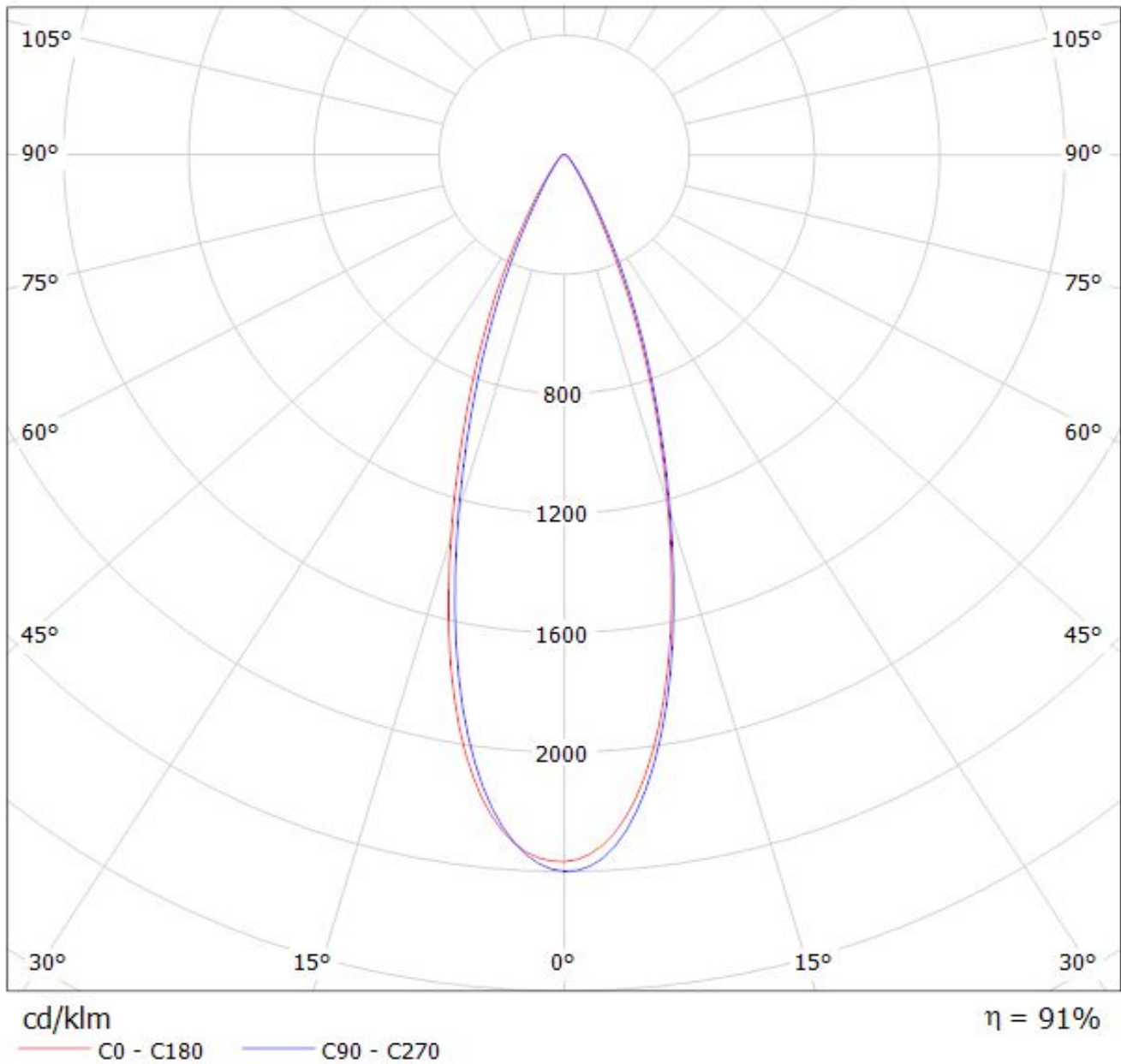


cd/klm

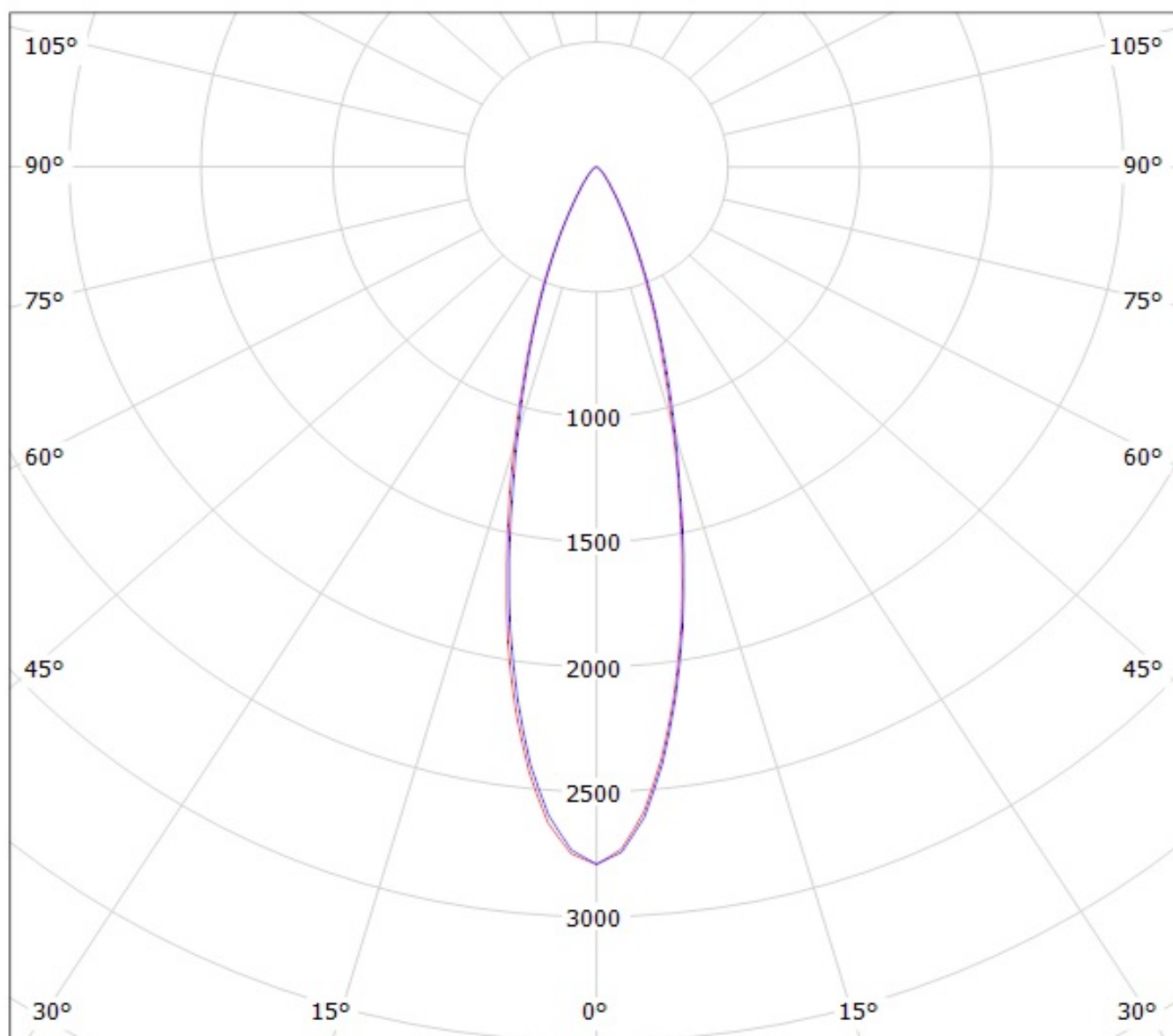
— C0 - C180

— C90 - C270

Luminaire: LEDIL OY C12782_MELODY-4-M (Luxeon A) Efficiency=92%
Lamps: 1 x Luxeon A MELODY (267lm @ 250mA)



Luminaire: LEDiL Oy C12782_MELODY-4-M_(NCSxx19B) Efficiency=84%
Lamps: 1 x Nichia NCSxx19B (NCSL119BE) 347lm @ 250mA CCT=3000K P=3.1W I=250mA



cd/klm

— C0 - C180

— C90 - C270

NOTE: The typical divergence will be changed by different color, chip size and chip position tolerance. The typical total divergence is the full angle measured where the luminous intensity is half of the peak value.