

PART NO.	"A" HOLDING CAPACITY	"B"	"C"±.020	"D" REF AT MAX. CAPACITY	FIG NO.
KKL-4-RT	1/4 [6.4]	.750±.015 [19.7]	3/4 [19.7]	.38 [9.6]	1
KKL-8-RT	1/2 [12.7]	1.00±.02 [25.4]	1 [25.4]	.69 [17.4]	2
KKL-12-RT	3/4 [19.1]			.92 [23.5]	

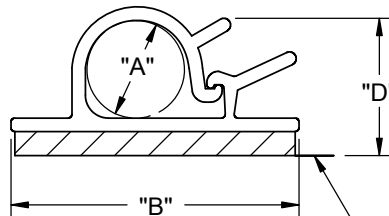
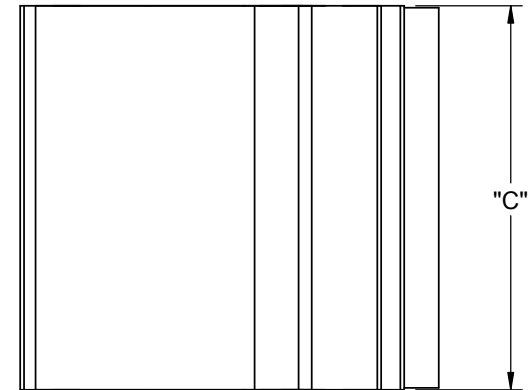
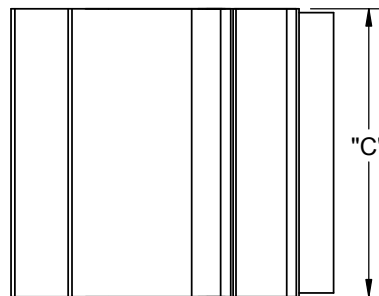


FIG 1.

TYPICAL RELEASE TAB LOCATION

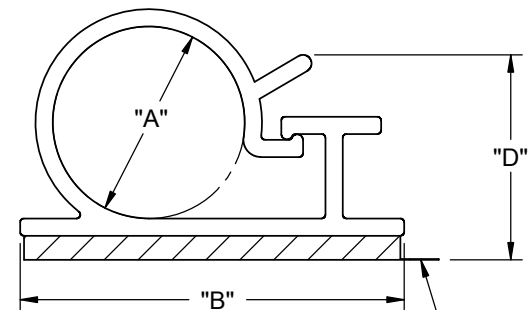


FIG 2.

TYPICAL RELEASE TAB LOCATION

NOTES:

1. MATERIAL: RIGID PVC (RMS-04)  
ALSO AVAILABLE IN CLEAR PVC (RMS-32), BY SPECIAL ORDER.
2. COLOR: GRAY.
3. TAPE: 1/16 [1.6] THICK, DOUBLE SIDED ADHESIVE (RMS-15), WHITE LINER.
4. CUSTOM LENGTHS AVAILABLE BY SPECIAL ORDER.
5. COLOR BLACK AVAILABLE BY SPECIAL ORDER ONLY.  
TO ORDER ADD SUFFIX "-BK" TO THE PART NO.

REV.			TITLE: KWIK-KLIP, TYPE "L"				DWG IN IN [MM]		FINAL	
J	SEE CO 200769 FOR CHANGES	SK 04/04/2012	CREATED USING SOLIDWORKS	FILE #: KKL	DWN: S.M.	APP: -				
I	SEE CO 200522 FOR CHANGES	SK 04/21/10	TOLERANCES UNLESS NOTED	SHEET: 1 OF 1	SHEET SIZE: A	DT: 11/28/00	CHKD: -	PART #		
H	SEE CO 200394 FOR CHANGES	SK 07/23/09	.XX=±.020	RE: RICHCO, INC.		RICHCO, INC.		PRINT TYPE		
G	SEE CO 200197 FOR CHANGES	SK 06/03/08	.XXX=±.015			ENG@RICHCO-INC.COM		SEE TABLE		
-	SEE ENGINEERING FOR REV A-F	---	FRAC.=±1/32			(773) 539-4060		CA		
REV.	DESCRIPTION	ENGR. DATE	ANG.=±3°							