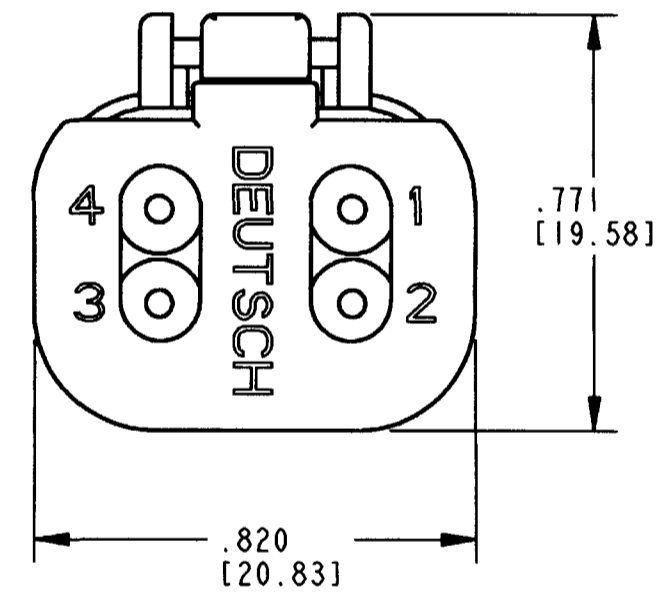
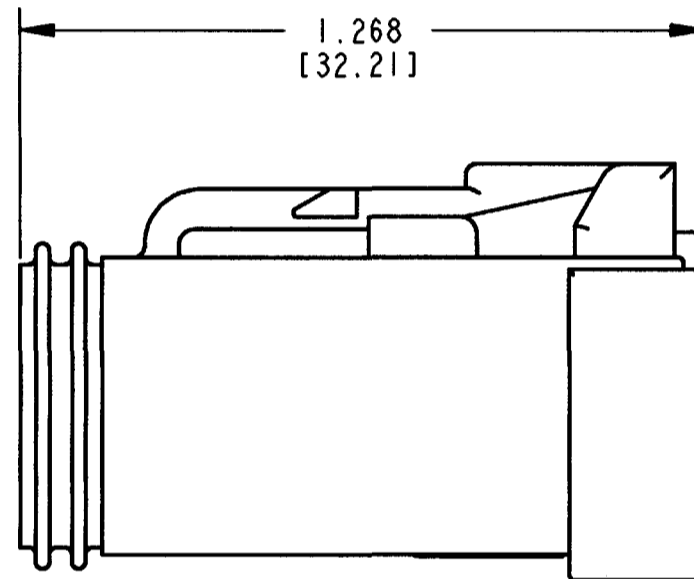
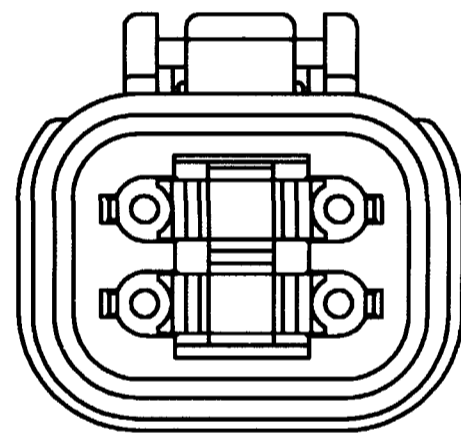


REV A	<b>DT06-4S-E005</b>	REVISIONS		
SYM	DESCRIPTION	DATE	APPROVED	
NC	NEW RELEASE PER E.O. A13781	3/19/92	J.A.	
A	REVISED PER E.O. P17510	1/28-01	RDR	



4. THIS PLUG MATES WITH DT04-4P-\*\*\*\* (\*\*\*\*= ALL MODIFICATIONS)  
CONSULT FACTORY FOR MODIFICATIONS.

3. FOR CONTACTS AND WIRE PERFORMANCE AND APPLICATION  
CHARACTERISTICS SEE ENVELOPE DRAWING 0425-015-0000  
AND 0425-017-0000.

2. DIMENSIONS ARE ±.025 [.64] UNLESS OTHERWISE SPECIFIED.

NOTES: 1. ALL DIMENSIONS ARE IN INCHES [MILLIMETERS].

SIGNATURE & DATE		4 WAY PLUG -E005 MOD. COLOR: BLACK DT SERIES	CP	MATL CODE
DR	X. SANCHEZ 08NOV01		The Deutsch Company DEUTSCH I.P.D. 3850 INDUSTRIAL AVE. HEMET, CALIF. 92545	
CHK	A. Polinski 11/26/01		<b>B</b> DT06-4S-E005	
PE	Steve Johnson 11/14/01			
APPD	SBend 11-14-01		DWG SIZE	CODE 11139
SCALE	NONE	WT		

ENVELOPE