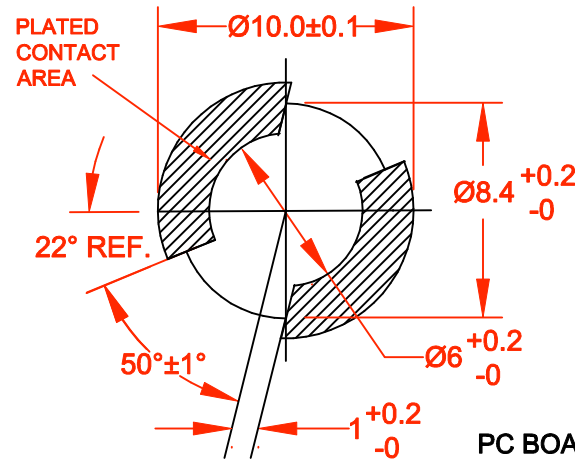
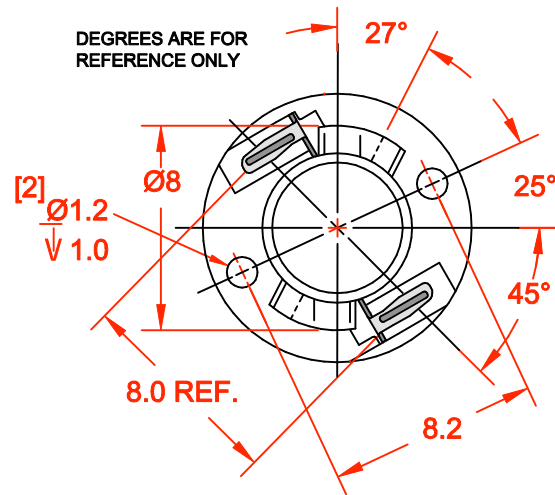
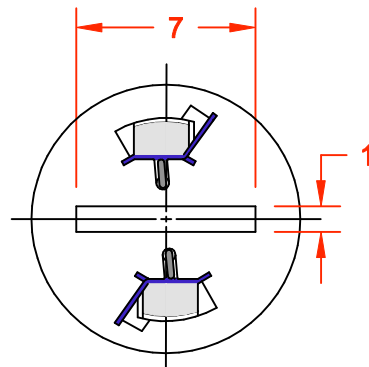
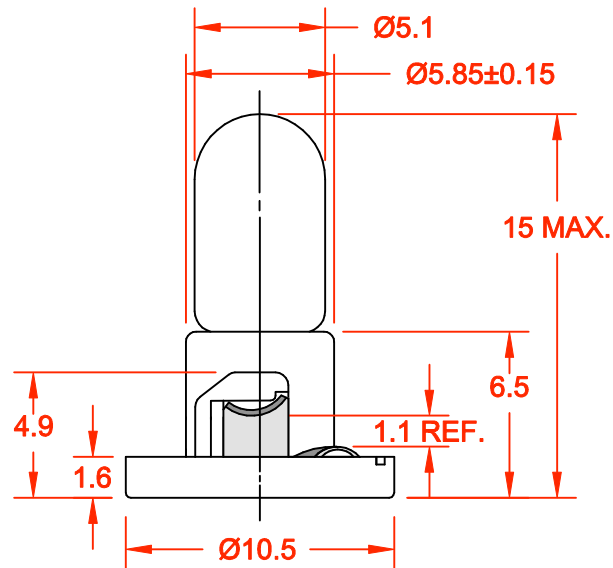


REV.	DESCRIPTION/ECO NO.	DATE
	RELEASED CONVERTED TO CAD	11/9/00



PC BOARD PUNCH PATTERN

(NO TREATMENT, SUCH AS APPLICATION OF FLUX, SHALL BE DONE.)



JKL PART NO.: DNW21-EW33/GRA

JKL LAMP NUMBER	VOLTS RATED	AMPS ±10%	*MSCP ±25%	*LUMENS ±25%	AVERAGE LIFE HRS.	FILAMENT TYPE
EW33 SHIBORI	14.0	.125	.700	9.00	10,000	C-2F

BASE COLOR
GRAY

*LAMP RATING ONLY WITHOUT BASE

<p>THIRD ANGLE PROJECTION</p>	<p>METRIC</p> <p>DIMENSIONS ARE IN MILLIMETERS</p> <p>TOLERANCE UNLESS OTHERWISE SPECIFIED</p> <p>1 PL +/- 0.2</p> <p>2 PL +/- 0.20</p> <p>ANGLE +/- 0</p>	<p>JKL COMPONENTS CORPORATION</p>				
	<p>DRAWN BY L. WENGSTROM</p> <p>APPV'D BY QC</p> <p>DATE 11/9/00</p> <p>- CAD DRAWING - MANUAL REVISIONS NOT PERMITTED</p>	<p>SIZE A</p> <p>SCALE NONE</p>	<p>FSCM NO. 55335</p> <p>RELEASED DATE 11/9/00</p>	<p>DRAWING NO. DNW21-EW33/GRA</p> <p>REVISION DATE</p>	<p>REV. NO.</p>	<p>SHEET 1 OF 1</p>
<p>TITLE T-1 1/4 DOUBLE CONTACT NEO-WEDGE BASE WITH T-1 1/2 SHIBORI WIRE TERMINAL LAMP</p>						