

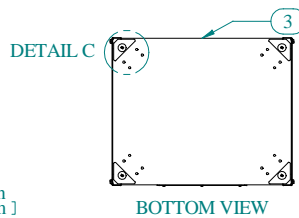
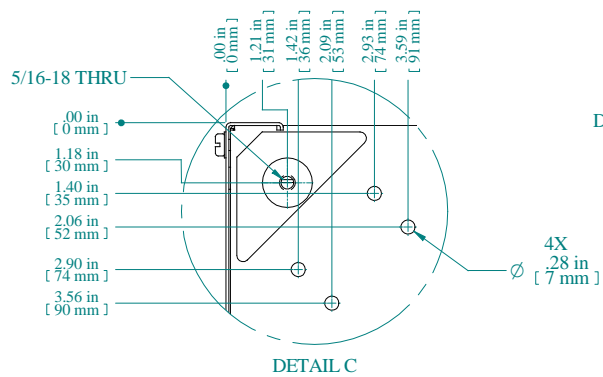
Item Number	Title	Quantity
1	REFK - TOP PANEL	1
2	REFK - SIDE PANEL	2
3	REFK - BOTTOM PANEL	1
4	REFK - GLAND PLATE	1
5	COMBINATION RAILS TAPPED (PAIR)	2
6	FLAT NYLON WASHER 1/4" I.D.	8
7	SCREW 1/4-20 X 1/2	8
8	NUT 1/4-20 KEP	8
9	SCREW 6-32X1/4 SELF TAPPING	6

PART NUMBERS

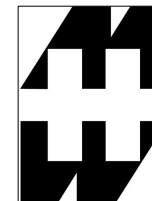
REFK1905617BK1	PAINTED BLACK TEXTURED
REFK1905617CG1	PAINTED CONT. GRAY TEXTURED
REFK1905617LG1	PAINTED RAL7035 TEXTURED

NOTES

Shipped knockdown for handling ease & protection.



Data subject to change without notice. Isometric drawing not to scale.



**HAMMOND
MANUFACTURING™**

www.hammondmfg.com

PART NO. REFK1905617