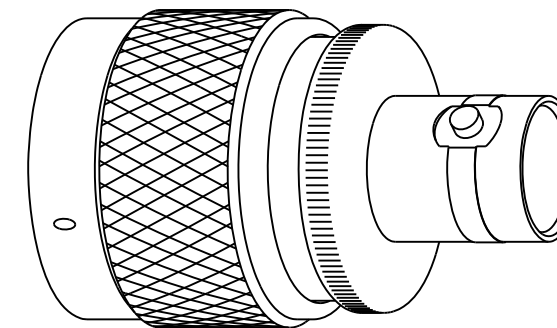


NOTES:

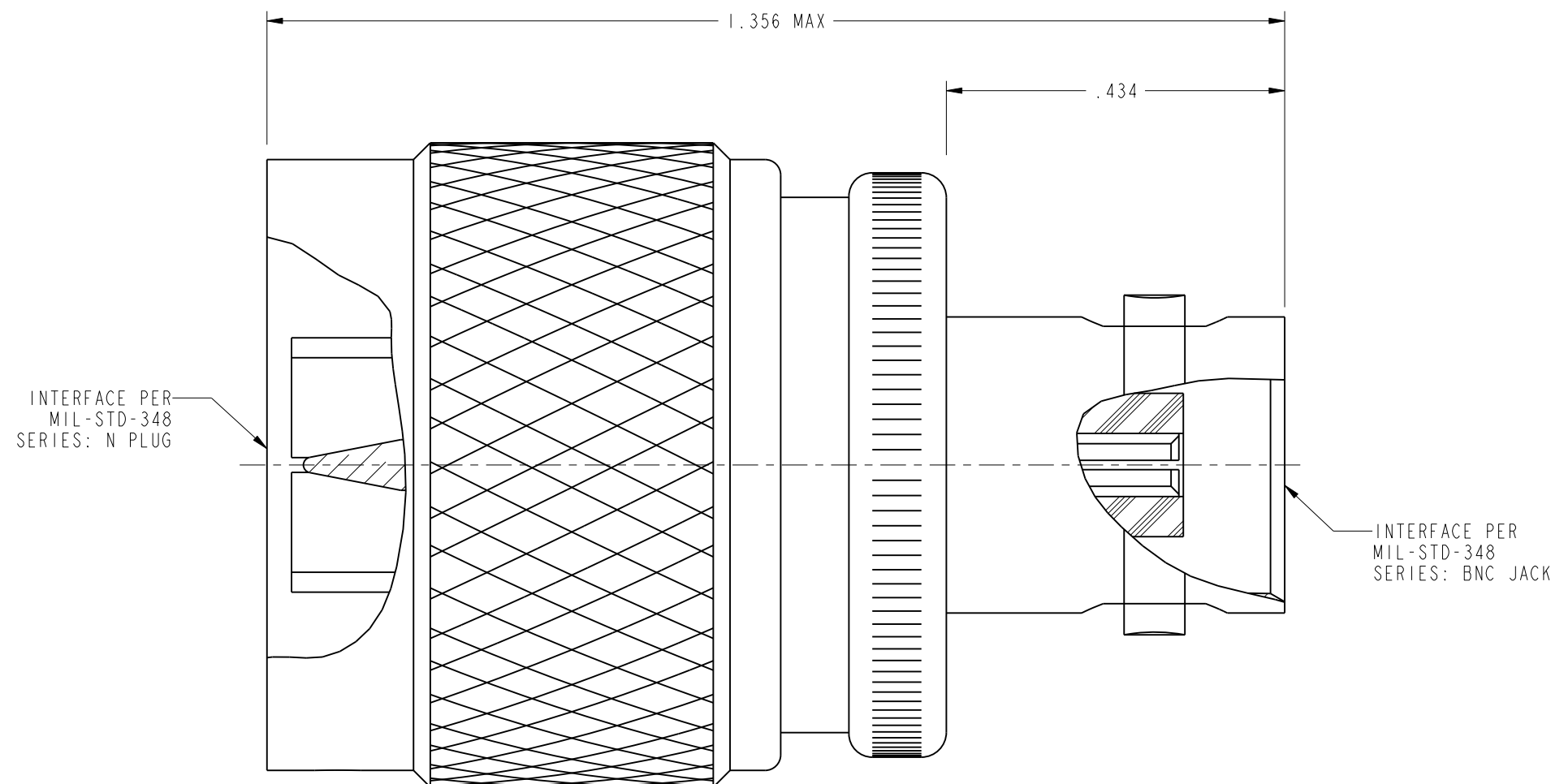
1. MATERIALS AND FINISHES:  
 BODYS - BRASS, SILVER PLATING  
 CONTACT - BERYLLIUM COPPER, GOLD PLATING  
 INSULATOR - PTFE
2. ELECTRICAL:  
 A. IMPEDANCE: 50 OHM
3. MECHANICAL:  
 A. DURABILITY: 500 CYCLES MIN.  
 B. TEMPERATURE RANGE: +165° C TO -65° C
4. PACKAGING:  
 A. QUANTITY: SINGLE PACK  
 B. MARKING: BAG TO BE MARKED  
 "AMPHENOL, 82-5558, AND DATE CODE"

|                   |     |                            |         |       |      |
|-------------------|-----|----------------------------|---------|-------|------|
| 82-5558           |     | REVISIONS                  |         |       |      |
| DRAWING NO.       | REV | DESCRIPTION                | DATE    | ECO   | APPR |
| THIRD ANGLE PROJ. | A   | RELEASE TO MFG.            | --      | --    | --   |
|                   | G   | REDRAWN IN PRO-E & ADD COD | 12/6/10 | 47746 | NMV  |

### MIL-A-55339 INSPECTION



SCALE 2.000



**CUSTOMER OUTLINE DRAWING**  
 ALL OTHER SHEETS ARE FOR INTERNAL USE ONLY

|   |                              |                      |                   |   |   |                        |                  |
|---|------------------------------|----------------------|-------------------|---|---|------------------------|------------------|
| UNLESS OTHERWISE SPECIFIED, DIMENSIONS ARE IN INCHES AND TOLERANCES ARE:<br>2 PLACE DECIMAL      3 PLACE DECIMAL      ANGLES<br>±.015 (0,381 mm)      ±.005 (0,127 mm)      ± 1°  | MATERIAL<br>SEE NOTES        | DRAWN<br>NISCHIT MV  | DATE<br>07-Oct-09 | TITLE<br>BNC TO N ADAPTOR<br>PER MIL-A-55339/20-00201 | <b>Amphenol RF</b><br>Danbury, CT, USA<br>Tainan, Taiwan<br>Shenzhen, China<br><a href="http://www.amphenolrf.com">www.amphenolrf.com</a> |                        |                  |
|   | REFERENCE<br>M55339/20-00861 | ENGINEER<br>D. ROYCE | DATE<br>19-Oct-76 |   |   | APPROVED<br>K. CAPOZZI | DATE<br>11/18/10 |
| NOTICE - These drawings, specifications, or other data (1) are, and remain the property of Amphenol Corp. (2) must be returned upon request; and (3) are confidential and not to be disclosed to any person other than those to whom they are given by Amphenol Corp. The furnishing of these drawings, specifications, or other data by Amphenol Corp., or to any other person to anyone for any purpose is not to be regarded by implication or otherwise in any manner licensing, granting rights or permitting such holder or any other person to manufacture, use or sell any product, process or design, patented or otherwise, that may in any way be related to or disclosed by said drawings, specifications, or other data. |                              | CAD FILE             |                   | CODE ID<br>74868                                      | DWG SIZE<br>B   | DRAWING NO.<br>82-5558 | REV<br>G         |
|   |                              |                      |                   |   |   |                        | SCALE: 5.0:1     |