

番号 NO.	名称 NAME	材料 MATERIAL	仕上げ(めっき) FINISHES (PLATING)
①	ハウジング HOUSING	液晶ポリマー(LCP)、ガラス充填、UL94 V-0、黒 LIQUID CRYSTAL POLYMER (LCP), GLASS FILLED, UL94 V-0, BLACK	
②	スライダ SLIDER	ステンレス鋼 STAINLESS STEEL	
③	ターミナル TERMINAL	燐青銅 PHOSPHOR BRONZE	接触部: 金めっき(0.5 μmMIN.) 基板実装部: 金めっき 下地: ニッケルめっき(1.0 μmMIN.) CONTACT AREA: GOLD PLATING (0.5 MICROMETER MINIMUM) SOLDER TAIL AREA: GOLD PLATING UNDERPLATE: NICKEL OVERALL (1.0 MICROMETER MINIMUM)
④	シェル SHELL	ステンレス鋼 STAINLESS STEEL	基板実装部: 金フラッシュ 下地: ニッケルめっき SOLDER TAIL AREA: GOLD FLUSH UNDERPLATE: NICKEL OVERALL
⑤	スプリング SPRING	ピアノ線 SWP	全面: ニッケルめっき NICKEL OVERALL
⑥	ピン PIN	ステンレス鋼 STAINLESS STEEL	
⑦	ディテクト レバー DETECT LEVER	燐青銅 PHOSPHOR BRONZE	接触部: 金めっき(0.2 μmMIN.) 基板実装部: 金めっき 下地: ニッケルめっき(1.0 μmMIN.) CONTACT AREA: GOLD PLATING (0.2 MICROMETER MINIMUM) SOLDER TAIL AREA: GOLD PLATING UNDERPLATE: NICKEL OVERALL (1.0 MICROMETER MINIMUM)
⑧	ディテクト スイッチ DETECT SWITCH	燐青銅 PHOSPHOR BRONZE	接触部: 金めっき(0.2 μmMIN.) 基板実装部: 金めっき 下地: ニッケルめっき(1.0 μmMIN.) CONTACT AREA: GOLD PLATING (0.2 MICROMETER MINIMUM) SOLDER TAIL AREA: GOLD PLATING UNDERPLATE: NICKEL OVERALL (1.0 MICROMETER MINIMUM)

NOTES

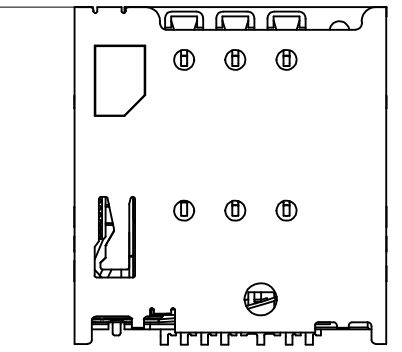
- ターミナル及びびネイルの平坦度は 0.08 MAX.  
(測定用定板面を基準)  
TERMINAL AND NAIL COPLANARITY TO BE 0.08 MAX.(FROM GAUGE PLANE)
- スタンドオフ寸法  
STAND OFF DIMENSION  
本寸法はコネクタ全高に含まれます。  
STAND OFF DIMENSION IS INCLUDED IN THE CONNECTOR TOTAL HEIGHT.
- パターン禁止エリア PATTERN PROHIBITION AREA
- カード検知スイッチ DETECT SWITCH

カード挿入時 CARD INSERTING POSITION	オープン OPEN
カード未挿入時 NO CARD	クローズ CLOSE

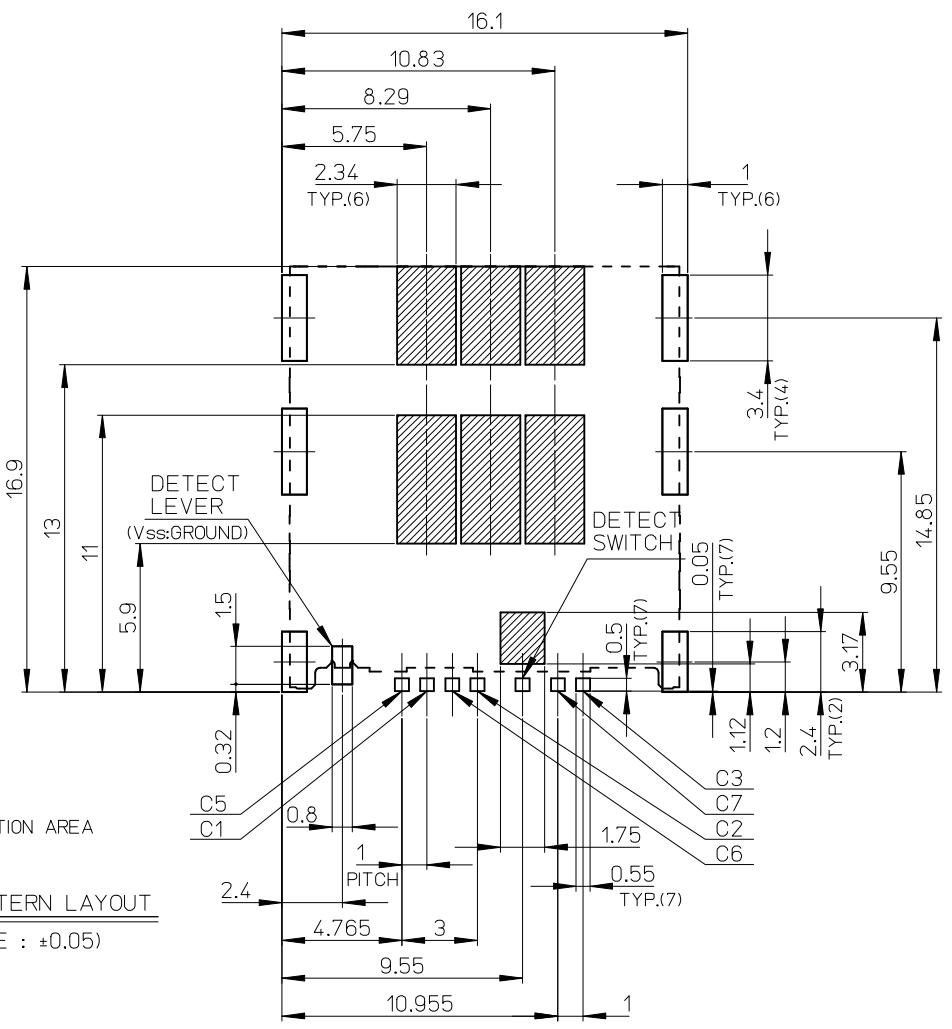
503960-0696	6
EMBOSSED PACKAGE	極数
オーダー番号 ORDER NO.	CIRCUITS

CONNECTOR SERIES No. 503960-\*\*\*\*

REV	DESCRIPTION	GENERAL TOLERANCES (UNLESS SPECIFIED)			DIMENSION STYLE		SCALE	DESIGN UNITS	THIRD ANGLE PROJECTION	
		0.25 UNDER	0.25 OVER	±0.03	MM ONLY	4:1	METRIC	MICRO SIM CARD CONN. PUSH/PUSH NORMAL TYPE ASS'Y		
0	RELEASED EC NO.: J2015-1505 DRW: KUSATO 2014/11/14 CHKD: SMARUYAMA 2015/02/05 APPR: NUKITA 2015/05/14	0.5 UNDER	1.0 UNDER	±0.05	DRAWN BY KUSATO	DATE 2014/11/14	TITLE MICRO SIM CARD CONN. PUSH/PUSH NORMAL TYPE ASS'Y	molex		
		1.0 OVER	30 UNDER	±0.2	CHECKED BY SMARUYAMA	DATE 2015/02/05	DOCUMENT NO. SD-503960-009	SHEET NO. 1 OF 2		
		30 OVER		±0.3	APPROVED BY NUKITA	DATE 2015/05/14	SEE CHART			
		ANGULAR ±1 °			MATERIAL NO.		THIS DRAWING CONTAINS INFORMATION THAT IS PROPRIETARY TO MOLEX INCORPORATED AND SHOULD NOT BE USED WITHOUT WRITTEN PERMISSION			
		DRAFT WHERE APPLICABLE MUST REMAIN WITHIN DIMENSIONS			SIZE A3					



RECOMMENDED CARD STOPPER POSITION



パターン禁止エリア  
PATTERN PROHIBITION AREA

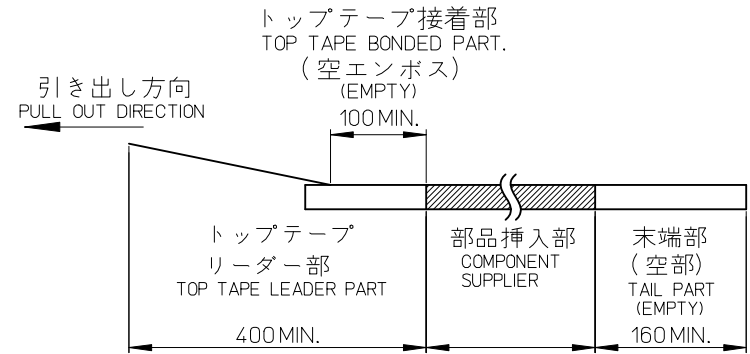
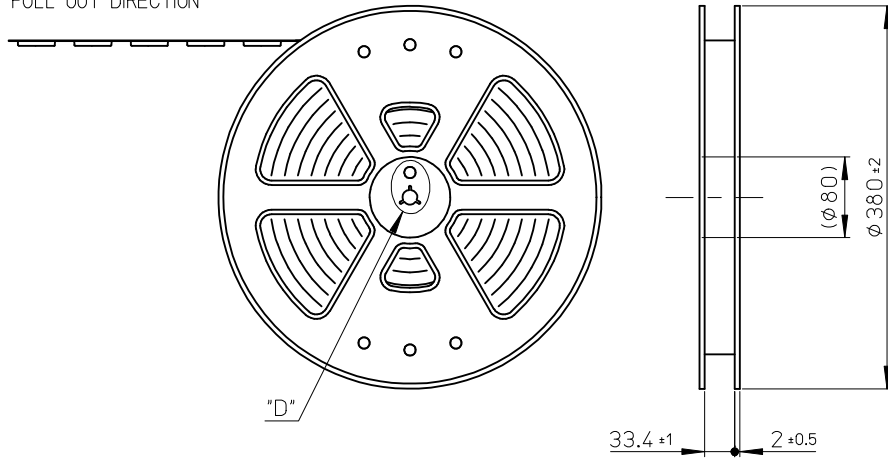
RECOMMENDED PCB PATTERN LAYOUT  
(GENERAL TOLERANCE : ±0.05)

SEE SHEET 1 OF 2 EC NO.: J2015-1505 DRW:KUSATO 2014/11/14 CHKD:SMARUYAMA 2015/02/05 APPR:NUKITA 2015/05/14	GENERAL TOLERANCES (UNLESS SPECIFIED)			DIMENSION STYLE MM ONLY		SCALE ---	DESIGN UNITS METRIC	THIRD ANGLE PROJECTION
	0.25 UNDER	UNDER	±0.03	DRAWN BY	DATE	TITLE		
	0.25 OVER	0.5 UNDER	±0.05	KUSATO	2014/11/14	MICRO SIM CARD CONN. PUSH/PUSH NORMAL TYPE ASS'Y		
	0.5 OVER	1.0 UNDER	±0.1	CHECKED BY	DATE			
	1.0 OVER	10 UNDER	±0.2	SMARUYAMA	2015/02/05			
10 OVER	30 UNDER	±0.25	APPROVED BY	DATE	DOCUMENT NO.			
30 OVER		±0.3	NUKITA	2015/05/14	SD-503960-009			
ANGULAR	±1 °		MATERIAL NO.		SHEET NO.			
DRAFT WHERE APPLICABLE MUST REMAIN WITHIN DIMENSIONS			SEE SHEET 1 OF 2		2 OF 2			
			THIS DRAWING CONTAINS INFORMATION THAT IS PROPRIETARY TO MOLEX INCORPORATED AND SHOULD NOT BE USED WITHOUT WRITTEN PERMISSION					

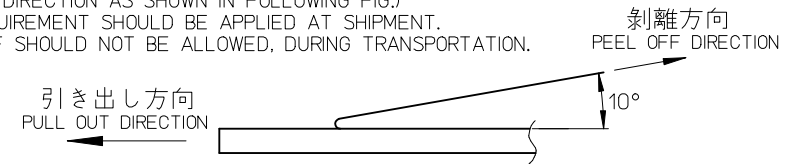
**NOTES**

1. 製品詳細寸法については、コネクタ単体のSD図面を参照下さい。  
RE DETAILED DIMENSION, SEE RSD DRAWING OF ASS'Y.
2. 梱包数量：1600個／リール  
NUMBER OF CONNECTORS：1600 PCS/REEL.
3. リードテープ長さ LEAD TAPE LENGTH.

引き出し方向  
PULL OUT DIRECTION

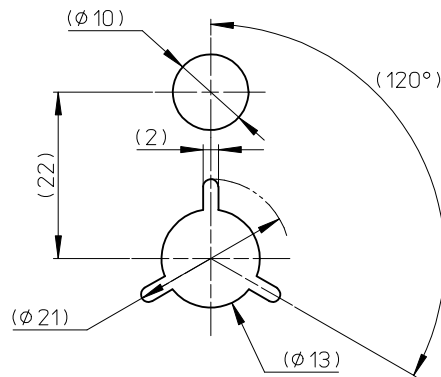


4. トップテープの剥離強度：JIS C0806-3に準拠(剥離方向は下図参照)尚、本規格値は出荷時に適用。(但し、輸送時に剥離が発生しないこと。)  
PEELING OFF FORCE OF TOP TAPE：BASED UPON JIS C0806-3 (PEELING DIRECTION AS SHOWN IN FOLLOWING FIG.) THIS REQUIREMENT SHOULD BE APPLIED AT SHIPMENT. PEEL OFF SHOULD NOT BE ALLOWED, DURING TRANSPORTATION.



5. 材料 MATERIAL

キャリアテープ (CARRIER TAPE)：ポリスチレン (POLYSTYRENE)  
 トップテープ (TOP TAPE)：PET, PE, PEF  
 リール (REEL)：ポリスチレン (PS) <リサイクル材含む>  
 POLYSTYRENE (PS) <RECYCLE MATERIAL CONTAINED>

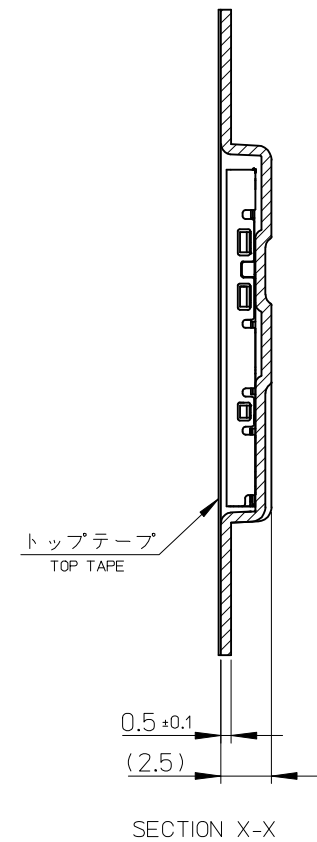
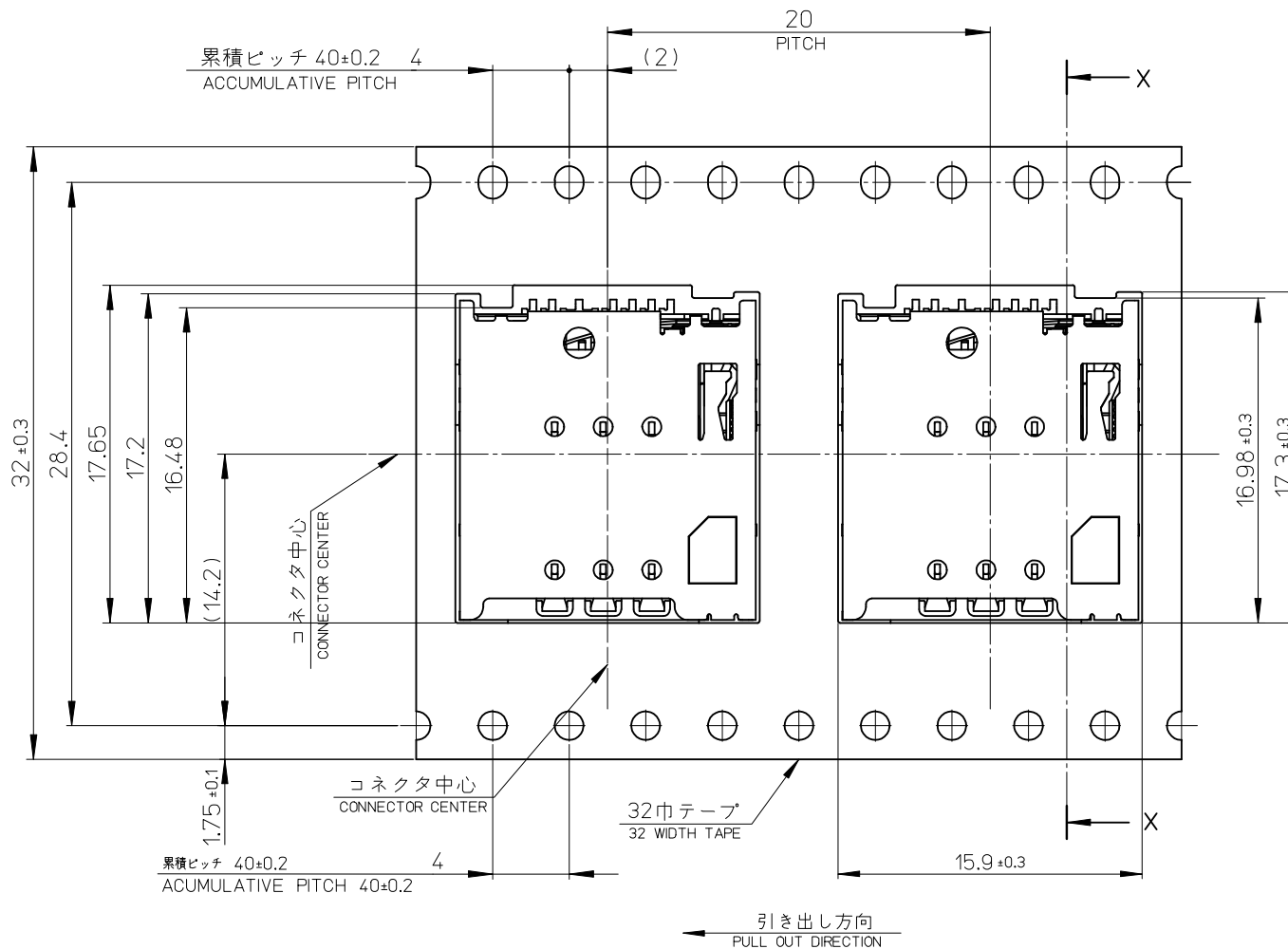


DETAIL "D"

503960-0696		6
EMBOSSED PACKAGE		極数
オーダー番号	ORDER NO.	CIRCUITS
CONNECTOR SERIES No. 503960-****		

RELEASED EC NO.: J2015-1505 DRW:KUSATO 2015/02/05 CHK'D:SMARUYAMA 2015/02/05 APPR.:NUKITA 2015/05/14	GENERAL TOLERANCES (UNLESS SPECIFIED)			DIMENSION STYLE MM ONLY		SCALE ---	DESIGN UNITS METRIC	THIRD ANGLE PROJECTION
	0.25 UNDER	UNDER	± 0.03	DRAWN BY KUSATO	DATE 2015/02/05	TITLE MICRO SIM CARD CONN. PUSH/PUSH NORMAL TYPE EMBOSSED TAPE PACKAGE		
	0.25 OVER	0.5 UNDER	± 0.05	CHECKED BY SMARUYAMA	DATE 2015/02/05	<b>molex</b> MATERIAL NO. DOCUMENT NO. SD-503960-010 SHEET NO. 1 OF 2		
	0.5 OVER	1.0 UNDER	± 0.1	APPROVED BY NUKITA	DATE 2015/05/14			
	1.0 OVER	10 UNDER	± 0.2	SEE CHART		THIS DRAWING CONTAINS INFORMATION THAT IS PROPRIETARY TO MOLEX INCORPORATED AND SHOULD NOT BE USED WITHOUT WRITTEN PERMISSION		
10 OVER	30 UNDER	± 0.25	DRAFT WHERE APPLICABLE MUST REMAIN WITHIN DIMENSIONS					
30 OVER		± 0.3						
ANGULAR	± 1 °							

10 9 8 7 6 5 4 3 2 1



SEE SHEET 1 OF 2 EC NO.: J2015-1505 DRW: KUSATO 2015/02/05 CHK: SMARUYAMA 2015/02/05 APPR: NUKITA 2015/05/14	GENERAL TOLERANCES (UNLESS SPECIFIED)			DIMENSION STYLE MM ONLY		SCALE ---	DESIGN UNITS METRIC	THIRD ANGLE PROJECTION
	0.25 UNDER	UNDER	±0.03	DRAWN BY KUSATO	DATE 2015/02/05	TITLE MICRO SIM CARD CONN. PUSH/PUSH NORMAL TYPE EMBOSSED TAPE PACKAGE		
	0.25 OVER	0.5 UNDER	±0.05	CHECKED BY SMARUYAMA	DATE 2015/02/05	<b>molex</b> DOCUMENT NO. SD-503960-010 SHEET NO. 2 OF 2		
	0.5 OVER	1.0 UNDER	±0.1	APPROVED BY NUKITA	DATE 2015/05/14			
	1.0 OVER	10 UNDER	±0.2	MATERIAL NO. SEE SHEET 1 OF 2				
10 OVER	30 UNDER	±0.25	SIZE A3		THIS DRAWING CONTAINS INFORMATION THAT IS PROPRIETARY TO MOLEX INCORPORATED AND SHOULD NOT BE USED WITHOUT WRITTEN PERMISSION			
30 OVER		±0.3	DRAFT WHERE APPLICABLE MUST REMAIN WITHIN DIMENSIONS					
ANGULAR	±1 °							

9 8 7 6 5 4 3 2 1