

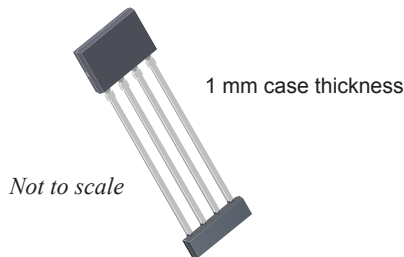
## Low Noise, High Precision, Factory-Programmed Linear Hall Effect Sensor IC With Advanced Temperature Compensation and High Bandwidth (120 kHz) Analog Output

### Features and Benefits

- Factory programmed sensitivity and quiescent output voltage with high resolution
- Proprietary segmented linear interpolated temperature compensation (TC) technology provides a typical accuracy of 1% across the full operating temperature range
- Extremely low noise and high resolution achieved via proprietary Hall element and low noise amplifier circuits
- 120 kHz nominal bandwidth achieved via proprietary packaging and chopper stabilization techniques
- Patented circuits suppress IC output spiking during fast current step inputs
- Open circuit detection on ground pin (broken wire)
- Undervoltage lockout for  $V_{CC}$  below specification

*Continued on the next page...*

### Package: 4-pin SIP (suffix KT)



### Description

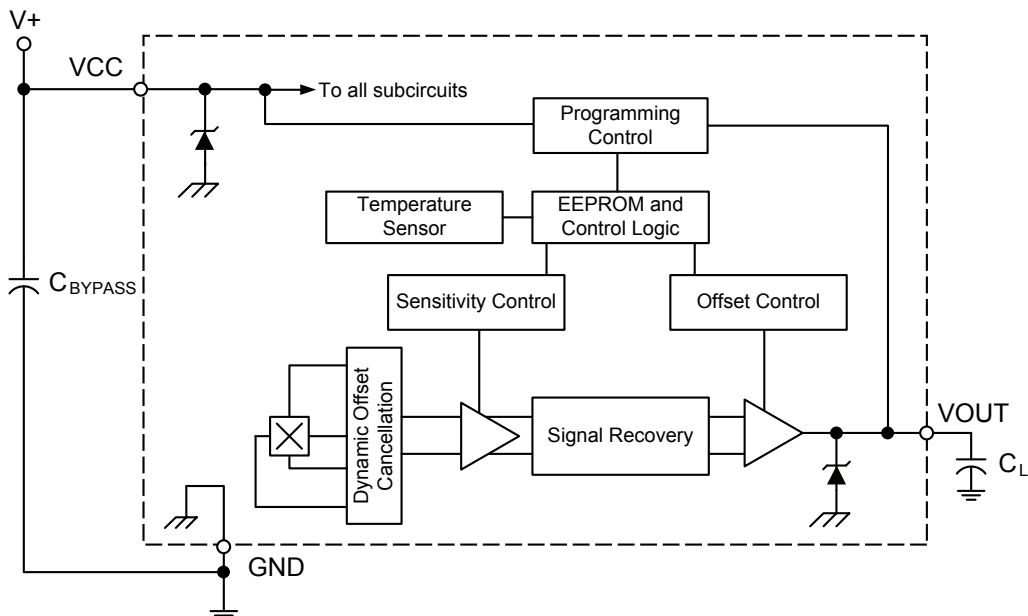
The Allegro™ A1366 factory-programmable linear Hall-effect current sensor IC has been designed to achieve high accuracy and resolution. The goal is achieved through new proprietary linearly interpolated temperature compensation technology that is programmed at the Allegro factory, which provides sensitivity and offset that are virtually flat across the full operating temperature range. The flat performance over temperature makes this IC ideally suited for current sensing applications. Temperature compensation is done in the digital domain with integrated EEPROM technology without sacrificing the analog signal path bandwidth, making this device ideal for HEV inverter, DC-to-DC converter, and electric power steering (EPS) applications.

This ratiometric Hall-effect sensor IC provides a voltage output that is proportional to the applied magnetic field. Sensitivity and quiescent (zero field) output voltage are factory programmed with high resolution which provides for an accuracy of less than  $\pm 1\%$ , typical, over temperature.

The sensor IC incorporates a highly sensitive Hall element with a BiCMOS interface integrated circuit that employs a low noise, small-signal high-gain amplifier, as well as a low-impedance output stage, and a proprietary, high bandwidth dynamic offset

*Continued on the next page...*

### Functional Block Diagram



# A1366

## *Low Noise, High Precision, Factory-Programmed Linear Hall Effect Sensor IC with Advanced Temperature Compensation And High Bandwidth (120 kHz) Analog Output*

### Features and Benefits (continued)

- Ratiometric sensitivity and quiescent voltage output
- Precise recoverability after temperature cycling
- Wide ambient temperature range:  $-40^{\circ}\text{C}$  to  $150^{\circ}\text{C}$
- Immune to mechanical stress
- Extremely thin package: 1 mm case thickness
- AEC Q-100 automotive qualified

### Description (continued)

cancellation technique. These advances in Hall-effect technology work together to provide an industry leading sensing resolution at the full 120 kHz bandwidth. The device has built in broken ground wire detection for high reliability in automotive applications.

Device parameters are specified across an extended ambient temperature range:  $-40^{\circ}\text{C}$  to  $150^{\circ}\text{C}$ . The A1366 sensor IC is provided in an extremely thin case (1 mm thick), 4-pin SIP (single in-line package, suffix KT) that is lead (Pb) free, with 100% matte tin lead frame plating.

### Selection Guide

Part Number	Packing*	Sensitivity (Typ.) (mV/G)
A1366LKTTN-1-T	4000 pieces per 13-in. reel	1
A1366LKTTN-2-T	4000 pieces per 13-in. reel	2.5
A1366LKTTN-5-T	4000 pieces per 13-in. reel	5
A1366LKTTN-10-T	4000 pieces per 13-in. reel	10

\*Contact Allegro for additional packing options



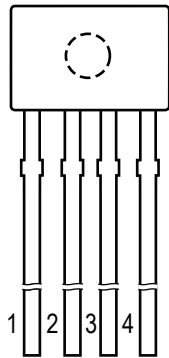
# A1366

## Low Noise, High Precision, Factory-Programmed Linear Hall Effect Sensor IC with Advanced Temperature Compensation And High Bandwidth (120 kHz) Analog Output

### Absolute Maximum Ratings

Characteristic	Symbol	Notes	Rating	Unit
Forward Supply Voltage	$V_{CC}$		6	V
Reverse Supply Voltage	$V_{RCC}$		-0.1	V
Forward Output Voltage	$V_{OUT}$		25	V
Reverse Output Voltage	$V_{ROUT}$		-0.1	V
Output Source Current	$I_{OUT(source)}$	VOUT to GND	10	mA
Output Sink Current	$I_{OUT(sink)}$	VCC to VOUT	10	mA
Operating Ambient Temperature	$T_A$	L temperature range	-40 to 150	°C
Storage Temperature	$T_{stg}$		-65 to 165	°C
Maximum Junction Temperature	$T_J(max)$		165	°C

### Pin-out Diagram



(Ejector pin mark on opposite side)

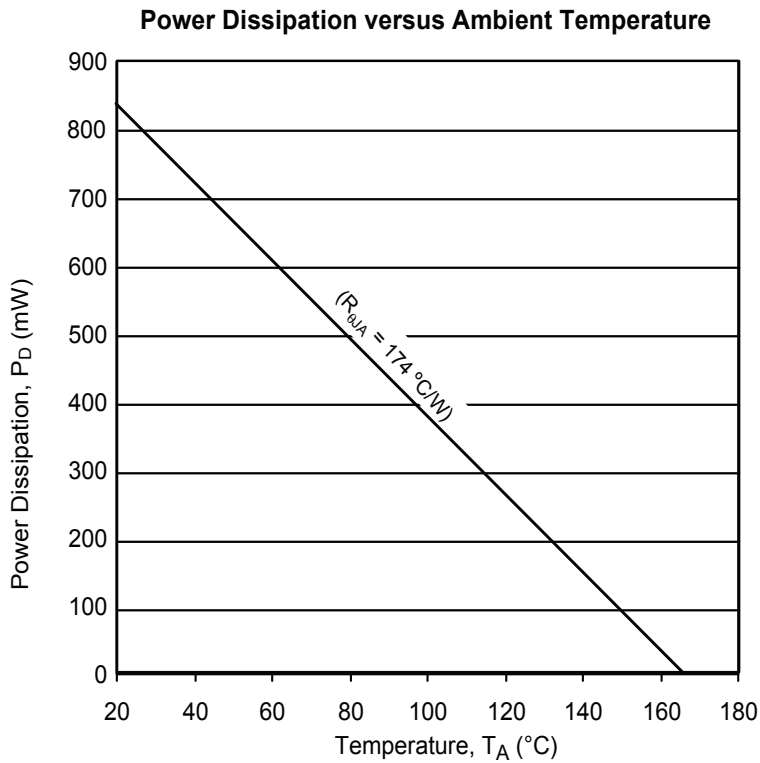
### Terminal List Table

Number	Name	Function
1	VCC	Input power supply, use bypass capacitor to connect to ground
2	VOUT	Output signal
3	NC	No connection; connect to GND for optimal ESD performance
4	GND	Ground

**Thermal Characteristics** may require derating at maximum conditions, see application information

Characteristic	Symbol	Test Conditions*	Value	Unit
Package Thermal Resistance	$R_{\theta JA}$	On 1-layer PCB with exposed copper limited to solder pads	174	$^{\circ}\text{C/W}$

\*Additional thermal information available on the Allegro website



**COMMON OPERATING CHARACTERISTICS** Valid through the full operating temperature range,  $T_A$ ,  $C_{BYPASS} = 0.1 \mu F$ ,  $V_{CC} = 5 V$ ; unless otherwise specified

Characteristics	Symbol	Test Conditions	Min.	Typ.	Max.	Unit <sup>1</sup>
<b>Electrical Characteristics</b>						
Supply Voltage	$V_{CC}$		4.5	5.0	5.5	V
Supply Current	$I_{CC}$	No load on VOUT	–	10	15	mA
Power-On Time <sup>2</sup>	$t_{PO}$	$T_A = 25^\circ C$ , $C_{BYPASS} = \text{Open}$ , $C_L = 1 \text{ nF}$ , Sens = 2.5 mV/G, constant magnetic field of 320 G	–	78	–	$\mu s$
Temperature Compensation Power-On Time <sup>2</sup>	$t_{TC}$	$T_A = 150^\circ C$ , $C_{BYPASS} = \text{Open}$ , $C_L = 1 \text{ nF}$ , Sens = 2.5 mV/G, constant magnetic field of 320 G	–	30	–	$\mu s$
Undervoltage Lockout (UVLO) Threshold <sup>2</sup>	$V_{UVLOH}$	$T_A = 25^\circ C$ , $V_{CC}$ rising and device function enabled	–	4	–	V
	$V_{UVLOL}$	$T_A = 25^\circ C$ , $V_{CC}$ falling and device function disabled	–	3.5	–	V
UVLO Enable/Disable Delay Time <sup>2</sup>	$t_{UVLOE}$	$T_A = 25^\circ C$ , $C_{BYPASS} = \text{Open}$ , $C_L = 1 \text{ nF}$ , Sens = 2.5 mV/G, $V_{CC}$ Fall Time (5 V to 3 V) = 1.5 $\mu s$	–	64	–	$\mu s$
	$t_{UVLOD}$	$T_A = 25^\circ C$ , $C_{BYPASS} = \text{Open}$ , $C_L = 1 \text{ nF}$ , Sens = 2.5 mV/G, $V_{CC}$ Recover Time (3 V to 5 V) = 1.5 $\mu s$	–	14	–	$\mu s$
Power-On Reset Voltage <sup>2</sup>	$V_{PORH}$	$T_A = 25^\circ C$ , $V_{CC}$ rising	–	2.6	–	V
	$V_{PORL}$	$T_A = 25^\circ C$ , $V_{CC}$ falling	–	2.3	–	V
Power-On Reset Release Time <sup>2</sup>	$t_{PORR}$	$T_A = 25^\circ C$ , $V_{CC}$ rising	–	64	–	$\mu s$
Supply Zener Clamp Voltage	$V_Z$	$T_A = 25^\circ C$ , $I_{CC} = 30 \text{ mA}$	6.5	7.5	–	V
Internal Bandwidth	$BW_i$	Small signal –3 dB, $C_L = 1 \text{ nF}$ , $T_A = 25^\circ C$	–	120	–	kHz
Chopping Frequency <sup>3</sup>	$f_C$	$T_A = 25^\circ C$	–	500	–	kHz
<b>Output Characteristics</b>						
Propagation Delay Time <sup>2</sup>	$t_{PD}$	$T_A = 25^\circ C$ , magnetic field step of 320 G, $C_L = 1 \text{ nF}$ , Sens = 2.5 mV/G	–	2.2	–	$\mu s$
Rise Time <sup>2</sup>	$t_R$	$T_A = 25^\circ C$ , magnetic field step of 320 G, $C_L = 1 \text{ nF}$ , Sens = 2.5 mV/G	–	3.6	–	$\mu s$
Response Time <sup>2</sup>	$t_{RESPONSE}$	$T_A = 25^\circ C$ , magnetic field step of 320 G, $C_L = 1 \text{ nF}$ , Sens = 2.5 mV/G	–	3.7	–	$\mu s$
Output Saturation Voltage <sup>2</sup>	$V_{SAT(HIGH)}$	$T_A = 25^\circ C$ , $R_L(\text{PULLDOWN}) = 10 \text{ k}\Omega$ to GND	4.7	–	–	V
	$V_{SAT(LOW)}$	$T_A = 25^\circ C$ , $R_L(\text{PULLUP}) = 10 \text{ k}\Omega$ to VCC	–	–	400	mV

Continued on the next page...

**COMMON OPERATING CHARACTERISTICS** (continued) Valid through the full operating temperature range,  $T_A$ ;  
 $C_{BYPASS} = 0.1 \mu\text{F}$ ,  $V_{CC} = 5 \text{V}$ ; unless otherwise specified

Characteristics	Symbol	Test Conditions	Min.	Typ.	Max.	Unit <sup>1</sup>
Broken Wire Voltage <sup>2</sup>	$V_{BRK(HIGH)}$	$T_A = 25^\circ\text{C}$ , $R_{L(PULLUP)} = 10 \text{k}\Omega$ to VCC	–	$V_{CC}$	–	V
	$V_{BRK(LOW)}$	$T_A = 25^\circ\text{C}$ , $R_{L(PULLDOWN)} = 10 \text{k}\Omega$ to GND	–	100	–	mV
<b>Output Characteristics (continued)</b>						
Noise	$B_N$	$T_A = 25^\circ\text{C}$ , $C_L = 1 \text{nF}$ , Bandwidth = $BW_i$	–	1.1	–	$\text{mG}_{RMS}/\sqrt{\text{Hz}}$
DC Output Resistance	$R_{OUT}$		–	9	–	$\Omega$
Output Load Resistance	$R_{L(PULLUP)}$	VOUT to VCC	4.7	–	–	k $\Omega$
	$R_{L(PULLDOWN)}$	VOUT to GND	4.7	–	–	k $\Omega$
Output Load Capacitance <sup>4</sup>	$C_L$	VOUT to GND	–	1	10	nF
Output Slew Rate <sup>5</sup>	SR	Sens = 2.5 mV/G, $C_L = 1 \text{nF}$	–	230	–	V/ms
<b>Error Components</b>						
Linearity Sensitivity Error <sup>2,6</sup>	$Lin_{ERR}$		–1	$< \pm 0.25$	1	%
Symmetry Sensitivity Error <sup>2</sup>	$Sym_{ERR}$		–1	$< \pm 0.25$	1	%
Ratiometry Quiescent Voltage Output Error <sup>2,7</sup>	$Rat_{ERRVOUT(Q)}$	Through supply voltage range (relative to $V_{CC} = 5 \text{V}$ )	–1	0	1	%
Ratiometry Sensitivity Error <sup>2,7</sup>	$Rat_{ERRSens}$	Through supply voltage range (relative to $V_{CC} = 5 \text{V}$ )	–	$\pm 1$	–	%

<sup>1</sup> 1 G (gauss) = 0.1 mT (millitesla).

<sup>2</sup> See Characteristic Definitions section.

<sup>3</sup>  $f_C$  varies up to approximately  $\pm 20\%$  over the full operating ambient temperature range,  $T_A$ , and process.

<sup>4</sup> Output stability is maintained for capacitive loads as large as 10 nF.

<sup>5</sup> High-to-low transition of output voltage is a function of external load components and device sensitivity.

<sup>6</sup> Linearity applies to output voltage ranges of  $\pm 2 \text{V}$  from the quiescent output for bidirectional devices.

<sup>7</sup> Percent change from actual value at  $V_{CC} = 5 \text{V}$ , for a given temperature, through the supply voltage operating range.

# A1366

## Low Noise, High Precision, Factory-Programmed Linear Hall Effect Sensor IC with Advanced Temperature Compensation And High Bandwidth (120 kHz) Analog Output

**A1366LKT-1-T PERFORMANCE CHARACTERISTICS<sup>1</sup>:**  $T_A = -40^{\circ}\text{C}$  to  $150^{\circ}\text{C}$ ,  $C_{\text{BYPASS}} = 0.1 \mu\text{F}$ ,  $V_{\text{CC}} = 5 \text{ V}$ , unless otherwise specified

Characteristic	Symbol	Test Conditions	Min.	Typ.	Max.	Unit <sup>2</sup>
Sensitivity <sup>3</sup>	$\text{Sens}_{\text{TA}}$	Measured using 600 G, $T_A = 25^{\circ}\text{C}$	0.975	1	1.025	mV/G
Sensitivity Drift through Temperature Range	$\Delta\text{Sens}_{\text{TC}}$	$T_A = 25^{\circ}\text{C}$ to $150^{\circ}\text{C}$	-2.5	0	2.5	%
		$T_A = -40^{\circ}\text{C}$ to $25^{\circ}\text{C}$	-2.5	0	2.5	%
Sensitivity Drift Due to Package Hysteresis	$\Delta\text{Sens}_{\text{PKG}}$	$T_A = 25^{\circ}\text{C}$ , after temperature cycling, $25^{\circ}\text{C}$ to $150^{\circ}\text{C}$ and back to $25^{\circ}\text{C}$	–	$\pm 1.25$	–	%
Sensitivity Drift Over Lifetime <sup>4</sup>	$\Delta\text{Sens}_{\text{LIFE}}$	$T_A = -40^{\circ}\text{C}$ to $150^{\circ}\text{C}$ , shift after AEC Q100 grade 0 qualification testing	–	$\pm 1$	–	%
Noise	$V_N$	$T_A = 25^{\circ}\text{C}$ , $C_L = 1 \text{ nF}$	–	3.15	–	mV <sub>P-P</sub>
		$T_A = 25^{\circ}\text{C}$ , $C_L = 1 \text{ nF}$	–	0.5	–	mV <sub>RMS</sub>
Quiescent Output Voltage <sup>5</sup>	$V_{\text{OUT(Q)TA}}$	$T_A = 25^{\circ}\text{C}$	2.490	2.500	2.510	V
	$V_{\text{OUT(Q)HT}}$	$T_A = 25^{\circ}\text{C}$ to $150^{\circ}\text{C}$	2.490	2.500	2.510	V
	$V_{\text{OUT(Q)LT}}$	$T_A = -40^{\circ}\text{C}$ to $25^{\circ}\text{C}$	2.490	2.500	2.510	V
Quiescent Output Voltage Drift Over Lifetime <sup>4</sup>	$\Delta V_{\text{OUT(Q)LIFE}}$	$T_A = -40^{\circ}\text{C}$ to $150^{\circ}\text{C}$ , shift after AEC Q100 grade 0 qualification testing	–	$\pm 2$	–	mV

<sup>1</sup>See Characteristic Performance Data section for parameter distributions across temperature range.

<sup>2</sup>1 G (gauss) = 0.1 mT (millitesla).

<sup>3</sup>This parameter may drift a maximum of  $\Delta\text{Sens}_{\text{LIFE}}$  over lifetime.

<sup>4</sup>Based on characterization data obtained during standardized stress test for Qualification of Integrated Circuits, cannot be guaranteed. Drift is a function of customer application conditions. Please contact Allegro MicroSystems for further information.

<sup>5</sup>This parameter may drift a maximum of  $\Delta V_{\text{OUT(Q)LIFE}}$  over lifetime.

# A1366

## Low Noise, High Precision, Factory-Programmed Linear Hall Effect Sensor IC with Advanced Temperature Compensation And High Bandwidth (120 kHz) Analog Output

**A1366LKT-2-T PERFORMANCE CHARACTERISTICS<sup>1</sup>:**  $T_A = -40^\circ\text{C}$  to  $150^\circ\text{C}$ ,  $C_{\text{BYPASS}} = 0.1 \mu\text{F}$ ,  $V_{\text{CC}} = 5 \text{V}$ , unless otherwise specified

Characteristic	Symbol	Test Conditions	Min.	Typ.	Max.	Unit <sup>2</sup>
Sensitivity <sup>3</sup>	$\text{Sens}_{\text{TA}}$	Measured using 400 G, $T_A = 25^\circ\text{C}$	2.437	2.5	2.563	mV/G
Sensitivity Drift through Temperature Range	$\Delta\text{Sens}_{\text{TC}}$	$T_A = 25^\circ\text{C}$ to $150^\circ\text{C}$	-2.5	0	2.5	%
		$T_A = -40^\circ\text{C}$ to $25^\circ\text{C}$	-2.5	0	2.5	%
Sensitivity Drift Due to Package Hysteresis	$\Delta\text{Sens}_{\text{PKG}}$	$T_A = 25^\circ\text{C}$ , after temperature cycling, $25^\circ\text{C}$ to $150^\circ\text{C}$ and back to $25^\circ\text{C}$	–	$\pm 1.25$	–	%
Sensitivity Drift Over Lifetime <sup>4</sup>	$\Delta\text{Sens}_{\text{LIFE}}$	$T_A = -40^\circ\text{C}$ to $150^\circ\text{C}$ , shift after AEC Q100 grade 0 qualification testing	–	$\pm 1$	–	%
Noise	$V_N$	$T_A = 25^\circ\text{C}$ , $C_L = 1 \text{nF}$	–	7.875	–	mV <sub>P-P</sub>
		$T_A = 25^\circ\text{C}$ , $C_L = 1 \text{nF}$	–	1.25	–	mV <sub>RMS</sub>
Quiescent Output Voltage <sup>5</sup>	$V_{\text{OUT(Q)TA}}$	$T_A = 25^\circ\text{C}$	2.490	2.500	2.510	V
	$V_{\text{OUT(Q)HT}}$	$T_A = 25^\circ\text{C}$ to $150^\circ\text{C}$	2.490	2.500	2.510	V
	$V_{\text{OUT(Q)LT}}$	$T_A = -40^\circ\text{C}$ to $25^\circ\text{C}$	2.490	2.500	2.510	V
Quiescent Output Voltage Drift Over Lifetime <sup>4</sup>	$\Delta V_{\text{OUT(Q)LIFE}}$	$T_A = -40^\circ\text{C}$ to $150^\circ\text{C}$ , shift after AEC Q100 grade 0 qualification testing	–	$\pm 2$	–	mV

<sup>1</sup>See Characteristic Performance Data section for parameter distributions across temperature range.

<sup>2</sup>1 G (gauss) = 0.1 mT (millitesla).

<sup>3</sup>This parameter may drift a maximum of  $\Delta\text{Sens}_{\text{LIFE}}$  over lifetime.

<sup>4</sup>Based on characterization data obtained during standardized stress test for Qualification of Integrated Circuits, cannot be guaranteed. Drift is a function of customer application conditions. Please contact Allegro MicroSystems for further information.

<sup>5</sup>This parameter may drift a maximum of  $\Delta V_{\text{OUT(Q)LIFE}}$  over lifetime.



# A1366

## Low Noise, High Precision, Factory-Programmed Linear Hall Effect Sensor IC with Advanced Temperature Compensation And High Bandwidth (120 kHz) Analog Output

**A1366LKT-5-T PERFORMANCE CHARACTERISTICS<sup>1</sup>:**  $T_A = -40^{\circ}\text{C}$  to  $150^{\circ}\text{C}$ ,  $C_{\text{BYPASS}} = 0.1 \mu\text{F}$ ,  $V_{\text{CC}} = 5 \text{V}$ , unless otherwise specified

Characteristic	Symbol	Test Conditions	Min.	Typ.	Max.	Unit <sup>2</sup>
Sensitivity <sup>3</sup>	$\text{Sens}_{\text{TA}}$	Measured using 200 G, $T_A = 25^{\circ}\text{C}$	4.875	5	5.125	mV/G
Sensitivity Drift through Temperature Range	$\Delta\text{Sens}_{\text{TC}}$	$T_A = 25^{\circ}\text{C}$ to $150^{\circ}\text{C}$	-2.5	0	2.5	%
		$T_A = -40^{\circ}\text{C}$ to $25^{\circ}\text{C}$	-2.5	0	2.5	%
Sensitivity Drift Due to Package Hysteresis	$\Delta\text{Sens}_{\text{PKG}}$	$T_A = 25^{\circ}\text{C}$ , after temperature cycling, $25^{\circ}\text{C}$ to $150^{\circ}\text{C}$ and back to $25^{\circ}\text{C}$	–	$\pm 1.25$	–	%
Sensitivity Drift Over Lifetime <sup>4</sup>	$\Delta\text{Sens}_{\text{LIFE}}$	$T_A = -40^{\circ}\text{C}$ to $150^{\circ}\text{C}$ , shift after AEC Q100 grade 0 qualification testing	–	$\pm 1$	–	%
Noise	$V_{\text{N}}$	$T_A = 25^{\circ}\text{C}$ , $C_{\text{L}} = 1 \text{nF}$	–	15.75	–	mV <sub>P-P</sub>
		$T_A = 25^{\circ}\text{C}$ , $C_{\text{L}} = 1 \text{nF}$	–	2.5	–	mV <sub>RMS</sub>
Quiescent Output Voltage <sup>5</sup>	$V_{\text{OUT(Q)TA}}$	$T_A = 25^{\circ}\text{C}$	2.490	2.500	2.510	V
	$V_{\text{OUT(Q)HT}}$	$T_A = 25^{\circ}\text{C}$ to $150^{\circ}\text{C}$	2.490	2.500	2.510	V
	$V_{\text{OUT(Q)LT}}$	$T_A = -40^{\circ}\text{C}$ to $25^{\circ}\text{C}$	2.490	2.500	2.510	V
Quiescent Output Voltage Drift Over Lifetime <sup>4</sup>	$\Delta V_{\text{OUT(Q)LIFE}}$	$T_A = -40^{\circ}\text{C}$ to $150^{\circ}\text{C}$ , shift after AEC Q100 grade 0 qualification testing	–	$\pm 2$	–	mV

<sup>1</sup>See Characteristic Performance Data section for parameter distributions across temperature range.

<sup>2</sup>1 G (gauss) = 0.1 mT (millitesla).

<sup>3</sup>This parameter may drift a maximum of  $\Delta\text{Sens}_{\text{LIFE}}$  over lifetime.

<sup>4</sup>Based on characterization data obtained during standardized stress test for Qualification of Integrated Circuits, cannot be guaranteed. Drift is a function of customer application conditions. Please contact Allegro MicroSystems for further information.

<sup>5</sup>This parameter may drift a maximum of  $\Delta V_{\text{OUT(Q)LIFE}}$  over lifetime.

# A1366

## Low Noise, High Precision, Factory-Programmed Linear Hall Effect Sensor IC with Advanced Temperature Compensation And High Bandwidth (120 kHz) Analog Output

**A1366LKT-10-T PERFORMANCE CHARACTERISTICS**<sup>1</sup>:  $T_A = -40^\circ\text{C}$  to  $150^\circ\text{C}$ ,  $C_{\text{BYPASS}} = 0.1 \mu\text{F}$ ,  $V_{\text{CC}} = 5 \text{ V}$ , unless otherwise specified

Characteristic	Symbol	Test Conditions	Min.	Typ.	Max.	Unit <sup>2</sup>
Sensitivity <sup>3</sup>	$\text{Sens}_{\text{TA}}$	Measured using 100 G, $T_A = 25^\circ\text{C}$	9.75	10	10.25	mV/G
Sensitivity Drift through Temperature Range	$\Delta\text{Sens}_{\text{TC}}$	$T_A = 25^\circ\text{C}$ to $150^\circ\text{C}$	-2.5	0	2.5	%
		$T_A = -40^\circ\text{C}$ to $25^\circ\text{C}$	-2.5	0	2.5	%
Sensitivity Drift Due to Package Hysteresis	$\Delta\text{Sens}_{\text{PKG}}$	$T_A = 25^\circ\text{C}$ , after temperature cycling, $25^\circ\text{C}$ to $150^\circ\text{C}$ and back to $25^\circ\text{C}$	–	$\pm 1.25$	–	%
Sensitivity Drift Over Lifetime <sup>4</sup>	$\Delta\text{Sens}_{\text{LIFE}}$	$T_A = -40^\circ\text{C}$ to $150^\circ\text{C}$ , shift after AEC Q100 grade 0 qualification testing	–	$\pm 1$	–	%
Noise	$V_N$	$T_A = 25^\circ\text{C}$ , $C_L = 1 \text{ nF}$	–	31.5	–	mV <sub>P-P</sub>
		$T_A = 25^\circ\text{C}$ , $C_L = 1 \text{ nF}$	–	5	–	mV <sub>RMS</sub>
Quiescent Output Voltage <sup>5</sup>	$V_{\text{OUT(Q)TA}}$	$T_A = 25^\circ\text{C}$	2.485	2.500	2.515	V
	$V_{\text{OUT(Q)HT}}$	$T_A = 25^\circ\text{C}$ to $150^\circ\text{C}$	2.485	2.500	2.515	V
	$V_{\text{OUT(Q)LT}}$	$T_A = -40^\circ\text{C}$ to $25^\circ\text{C}$	2.485	2.500	2.515	V
Quiescent Output Voltage Drift Over Lifetime <sup>4</sup>	$\Delta V_{\text{OUT(Q)LIFE}}$	$T_A = -40^\circ\text{C}$ to $150^\circ\text{C}$ , shift after AEC Q100 grade 0 qualification testing	–	$\pm 2$	–	mV

<sup>1</sup>See Characteristic Performance Data section for parameter distributions across temperature range.

<sup>2</sup>1 G (gauss) = 0.1 mT (millitesla).

<sup>3</sup>This parameter may drift a maximum of  $\Delta\text{Sens}_{\text{LIFE}}$  over lifetime.

<sup>4</sup>Based on characterization data obtained during standardized stress test for Qualification of Integrated Circuits, cannot be guaranteed. Drift is a function of customer application conditions. Please contact Allegro MicroSystems for further information.

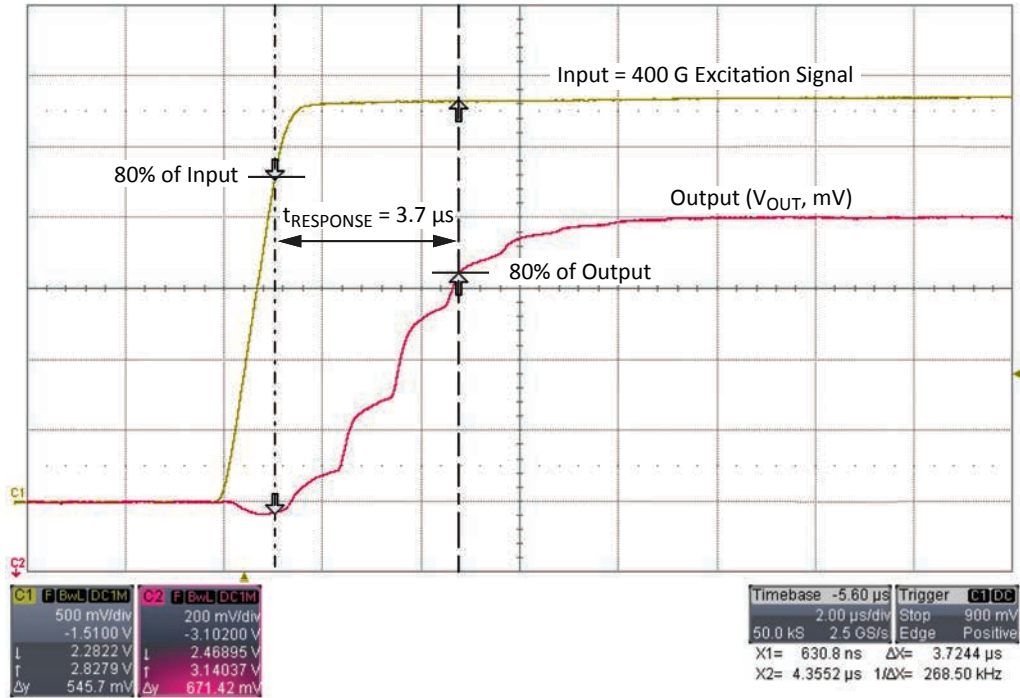
<sup>5</sup>This parameter may drift a maximum of  $\Delta V_{\text{OUT(Q)LIFE}}$  over lifetime.

Characteristic Performance Data

Response Time ( $t_{RESPONSE}$ )

400 G excitation signal with 10%-90% rise time = 1  $\mu$ s

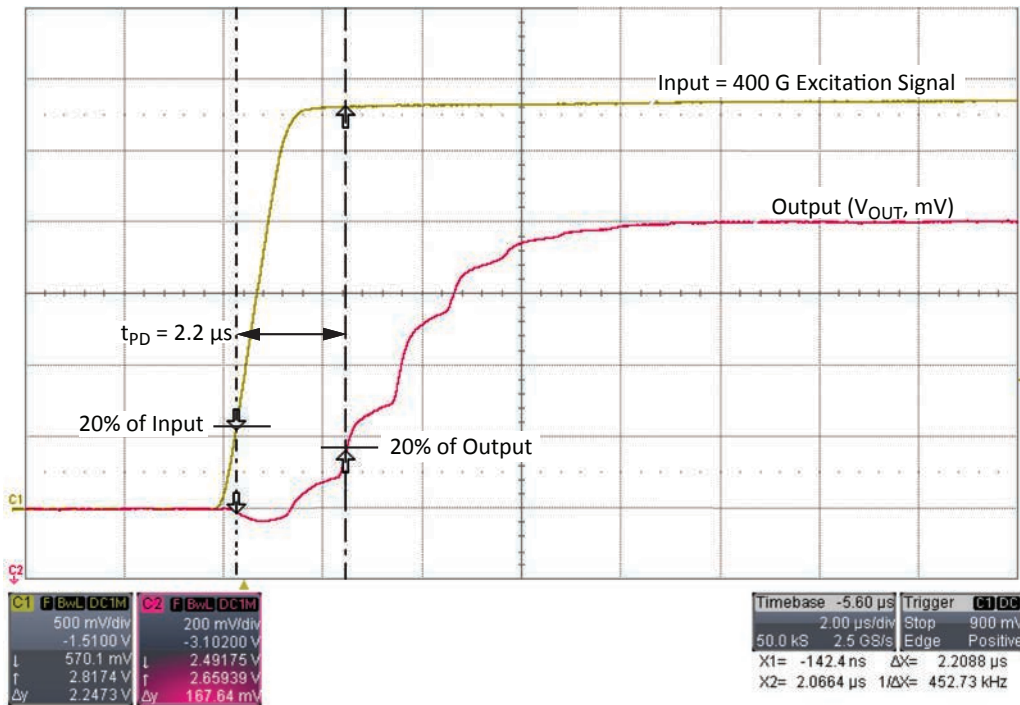
Sensitivity = 2 mV/G,  $C_{BYPASS}=0.1 \mu$ F,  $C_L=1$  nF



Propagation Delay ( $t_{PD}$ )

400 G excitation signal with 10%-90% rise time = 1  $\mu$ s

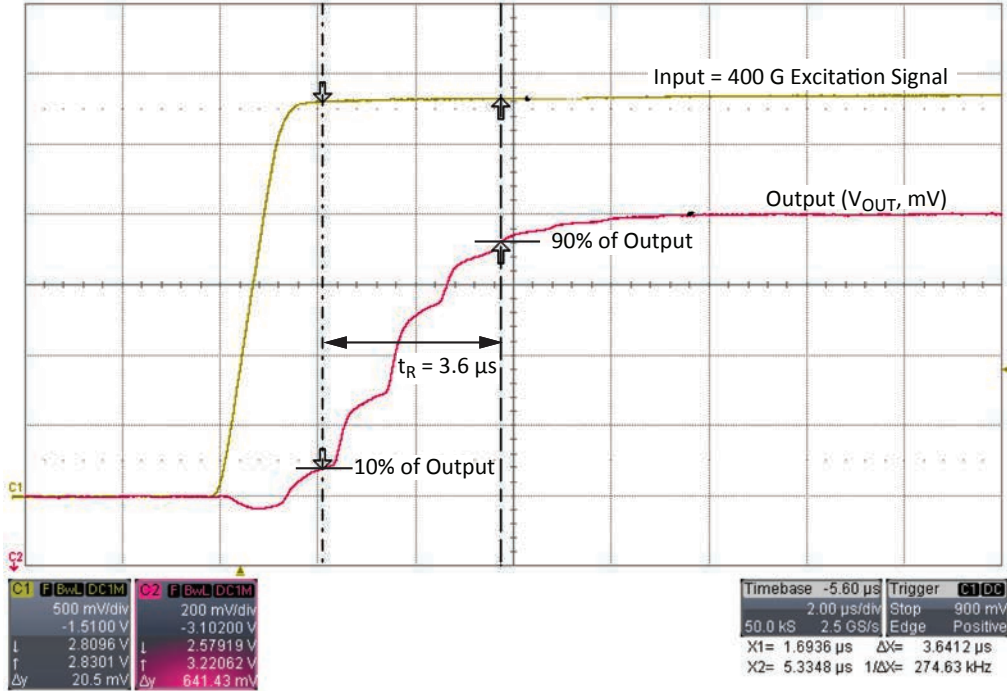
Sensitivity = 2 mV/G,  $C_{BYPASS}=0.1 \mu$ F,  $C_L=1$  nF



**Rise Time ( $t_R$ )**

400 G excitation signal with 10%-90% rise time = 1  $\mu$ s

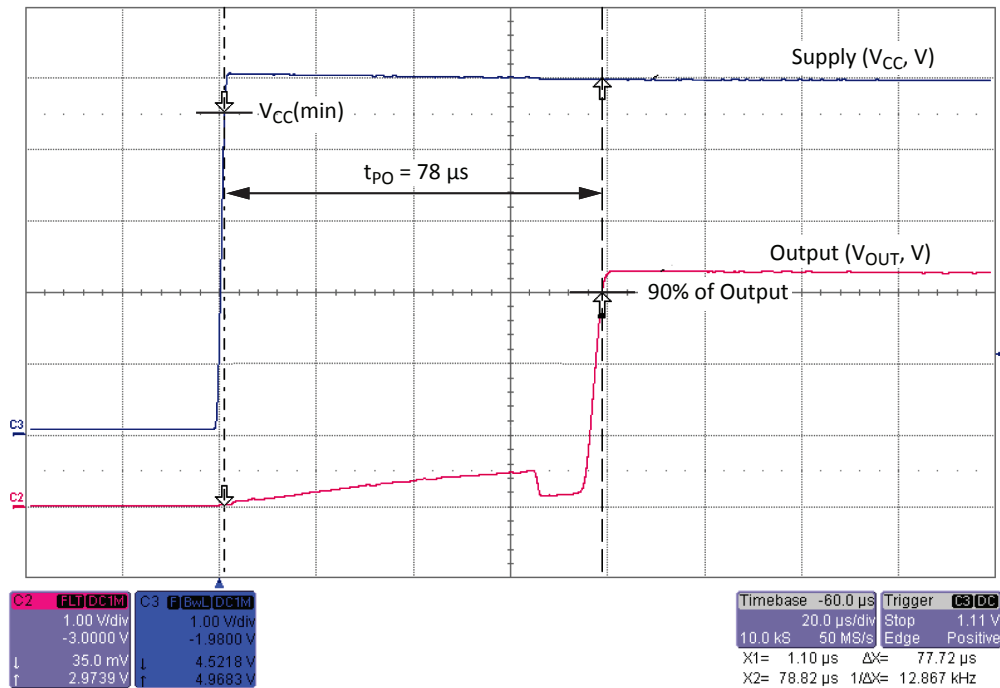
Sensitivity = 2 mV/G,  $C_{BYPASS}$ =0.1  $\mu$ F,  $C_L$ =1 nF



**Power-On Time ( $t_{PO}$ )**

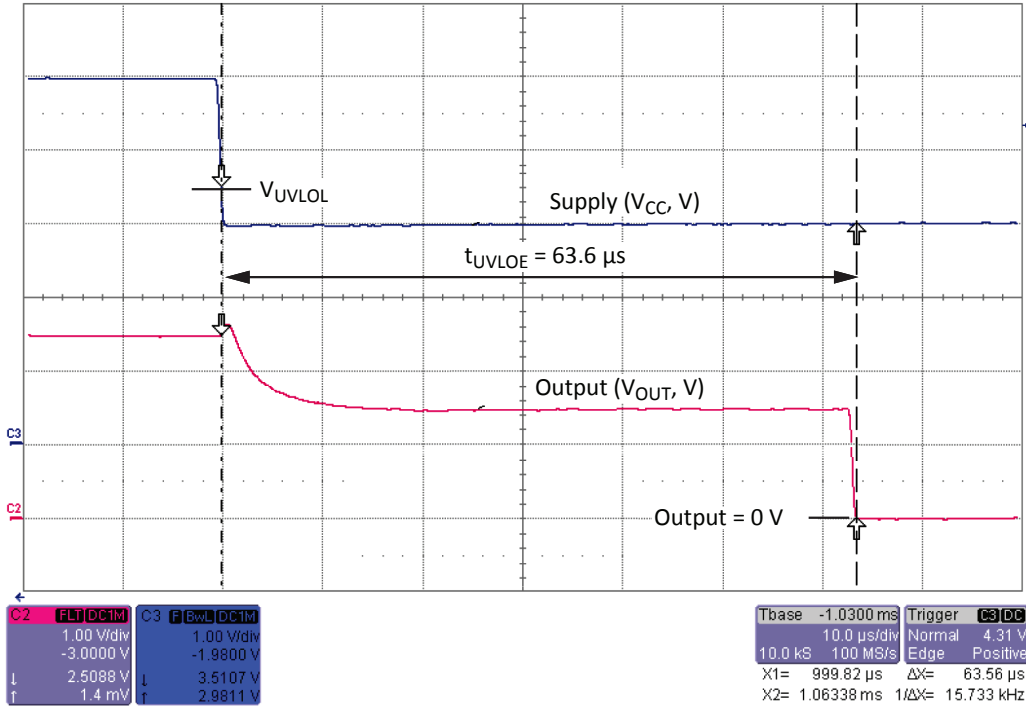
400 G constant excitation signal, with  $V_{CC}$  10%-90% rise time = 1.5  $\mu$ s

Sensitivity = 2 mV/G,  $C_{BYPASS}$ = Open,  $C_L$ =1 nF



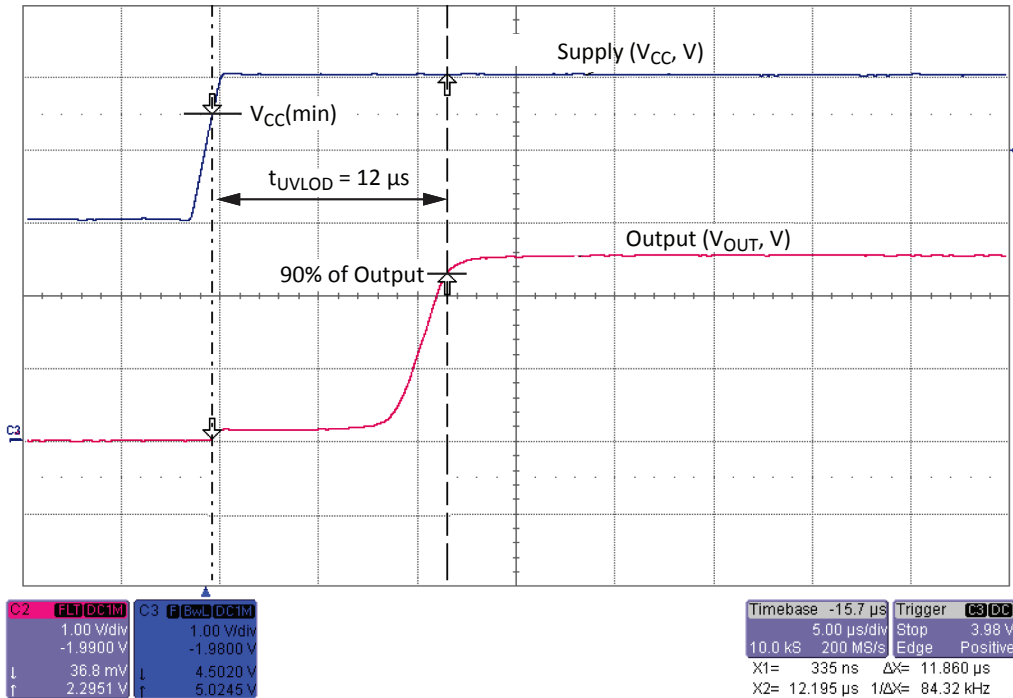
**UVLO Enable Time ( $t_{UVLOE}$ )**

$V_{CC}$  5 V-3 V fall time = 1.5  $\mu$ s  
 Sensitivity = 2 mV/G,  $C_{BYPASS}$ = Open,  $C_L$ =1 nF



**UVLO Disable Time ( $t_{UVLOD}$ )**

$V_{CC}$  3 V-5 V recovery time = 1.5  $\mu$ s  
 Sensitivity = 2 mV/G,  $C_{BYPASS}$ = Open,  $C_L$ =1 nF



Characteristic Definitions

**Power-On Time ( $t_{PO}$ )** When the supply is ramped to its operating voltage, the device requires a finite time to power its internal components before responding to an input magnetic field.

Power-On Time,  $t_{PO}$ , is defined as: the time it takes for the output voltage to settle within  $\pm 10\%$  of its steady state value under an applied magnetic field, after the power supply has reached its minimum specified operating voltage,  $V_{CC(min)}$ , as shown in figure 1.

**Temperature Compensation Power-On Time ( $t_{TC}$ )** After Power-On Time,  $t_{PO}$ , elapses,  $t_{TC}$  is also required before a valid temperature compensated output.

**Propagation Delay ( $t_{PD}$ )** The time interval between a) when the applied magnetic field reaches 20% of its final value, and b) when the output reaches 20% of its final value (see figure 2).

**Rise Time ( $t_R$ )** The time interval between a) when the sensor IC reaches 10% of its final value, and b) when it reaches 90% of its final value (see Figure 2).

**Response Time ( $t_{RESPONSE}$ )** The time interval between a) when the applied magnetic field reaches 80% of its final value, and b) when the sensor reaches 80% of its output corresponding to the applied magnetic field (see Figure 3).

**Quiescent Voltage Output ( $V_{OUT(Q)}$ )** In the quiescent state (no significant magnetic field:  $B = 0$  G), the output,  $V_{OUT(Q)}$ , has a

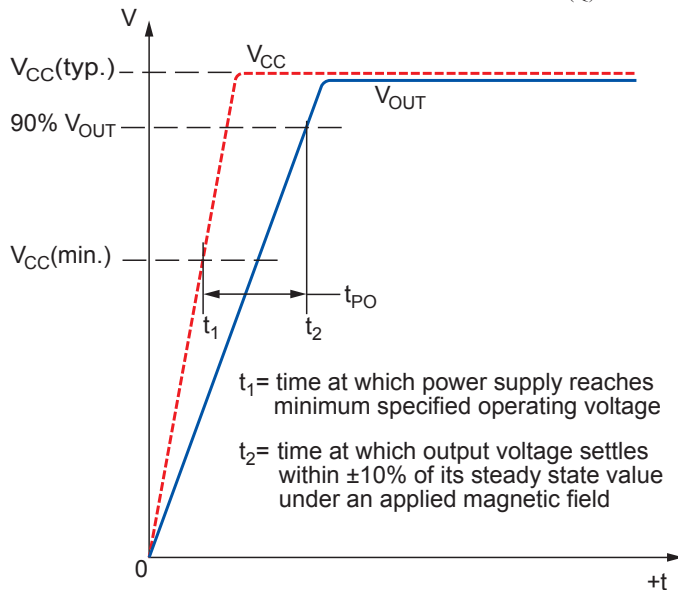


Figure 1: Power-on Time definition

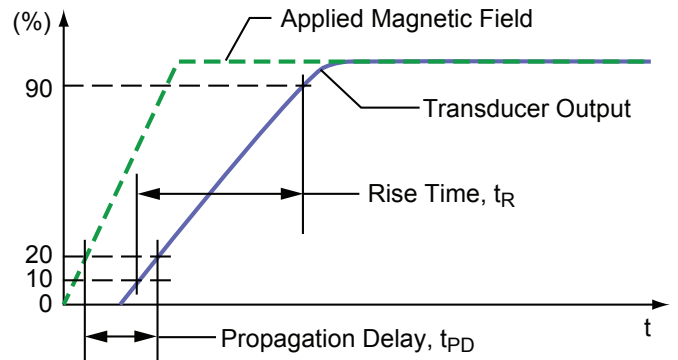


Figure 2: Propagation Delay and Rise Time definitions

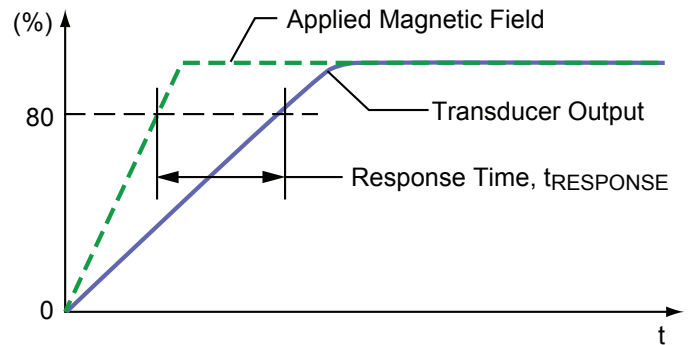


Figure 3: Response Time definition

constant ratio to the supply voltage,  $V_{CC}$ , throughout the entire operating ranges of  $V_{CC}$  and ambient temperature,  $T_A$ .

**Sensitivity (Sens)** The presence of a south polarity magnetic field, perpendicular to the branded surface of the package face, increases the output voltage from its quiescent value toward the supply voltage rail. The amount of the output voltage increase is proportional to the magnitude of the magnetic field applied.

Conversely, the application of a north polarity field decreases the output voltage from its quiescent value. This proportionality is specified as the magnetic sensitivity, Sens (mv/G), of the device, and it is defined as:

$$\text{Sens} = \frac{V_{\text{OUT(BPOS)}} - V_{\text{OUT(BNEG)}}}{\text{BPOS} - \text{BNEG}} \quad , \quad (1)$$

where BPOS and BNEG are two magnetic fields with opposite polarities.

**Sensitivity Drift Through Temperature Range ( $\Delta\text{Sens}_{TC}$ )**

Second order sensitivity temperature coefficient effects cause the magnetic sensitivity, Sens, to drift from its expected value over the operating ambient temperature range,  $T_A$ . The Sensitivity Drift Through Temperature Range,  $\Delta\text{Sens}_{TC}$ , is defined as:

$$\Delta\text{Sens}_{TC} = \frac{\text{Sens}_{T_A} - \text{Sens}_{\text{EXPECTED}(T_A)}}{\text{Sens}_{\text{EXPECTED}(T_A)}} \times 100\% \quad . \quad (2)$$

**Sensitivity Drift Due to Package Hysteresis ( $\Delta\text{Sens}_{PKG}$ )**

Package stress and relaxation can cause the device sensitivity at  $T_A = 25^\circ\text{C}$  to change during and after temperature cycling. The sensitivity drift due to package hysteresis,  $\Delta\text{Sens}_{PKG}$ , is defined as:

$$\Delta\text{Sens}_{PKG} = \frac{\text{Sens}_{(25^\circ\text{C})2} - \text{Sens}_{(25^\circ\text{C})1}}{\text{Sens}_{(25^\circ\text{C})1}} \times 100\% \quad , \quad (3)$$

where  $\text{Sens}_{(25^\circ\text{C})1}$  is the programmed value of sensitivity at  $T_A = 25^\circ\text{C}$ , and  $\text{Sens}_{(25^\circ\text{C})2}$  is the value of sensitivity at  $T_A = 25^\circ\text{C}$ , after temperature cycling  $T_A$  up to  $150^\circ\text{C}$  and back to  $25^\circ\text{C}$ .

**Linearity Sensitivity Error ( $\text{Lin}_{ERR}$ )** The A1366 is designed to provide a linear output in response to a ramping applied magnetic field. Consider two magnetic fields, B1 and B2. Ideally, the sensitivity of a device is the same for both fields, for a given supply voltage and temperature. Linearity error is present when there is a difference between the sensitivities measured at B1 and B2.

**Linearity Error** is calculated separately for the positive ( $\text{Lin}_{ERR\text{POS}}$ ) and negative ( $\text{Lin}_{ERR\text{NEG}}$ ) applied magnetic fields. Linearity Error (%) is measured and defined as:

$$\begin{aligned} \text{Lin}_{ERR\text{POS}} &= \left(1 - \frac{\text{Sens}_{\text{BPOS2}}}{\text{Sens}_{\text{BPOS1}}}\right) \times 100\% \quad , \\ \text{Lin}_{ERR\text{NEG}} &= \left(1 - \frac{\text{Sens}_{\text{BNEG2}}}{\text{Sens}_{\text{BNEG1}}}\right) \times 100\% \quad , \end{aligned} \quad (4)$$

where:

$$\text{Sens}_{B_x} = \frac{|V_{\text{OUT}(B_x)} - V_{\text{OUT}(Q)}|}{B_x} \quad , \quad (5)$$

and BPOS<sub>x</sub> and BNEG<sub>x</sub> are positive and negative magnetic fields, with respect to the quiescent voltage output such that  $|\text{BPOS2}| = 2 \times |\text{BPOS1}|$  and  $|\text{BNEG2}| = 2 \times |\text{BNEG1}|$ .

Then:

$$\text{Lin}_{ERR} = \max(\text{Lin}_{ERR\text{POS}} , \text{Lin}_{ERR\text{NEG}}) \quad . \quad (6)$$

**Symmetry Sensitivity Error ( $\text{Sym}_{ERR}$ )** The magnetic sensitivity of an A1366 device is constant for any two applied magnetic fields of equal magnitude and opposite polarities. Symmetry Error,  $\text{Sym}_{ERR}$  (%), is measured and defined as:

$$\text{Sym}_{ERR} = \left(1 - \frac{\text{Sens}_{\text{BPOS}}}{\text{Sens}_{\text{BNEG}}}\right) \times 100\% \quad , \quad (7)$$

where  $\text{Sens}_{B_x}$  is as defined in equation 7, and BPOS<sub>x</sub> and BNEG<sub>x</sub> are positive and negative magnetic fields such that  $|\text{BPOS}_x| = |\text{BNEG}_x|$ .

**Ratiometry Error ( $\text{Rat}_{ERR}$ )** The A1366 device features ratio-metric output. This means that the Quiescent Voltage Output,  $V_{\text{OUT}(Q)}$ , and magnetic sensitivity, Sens, are proportional to the Supply Voltage,  $V_{CC}$ . In other words, when the supply voltage increases or decreases by a certain percentage, each characteristic also increases or decreases by the same percentage. Error is the difference between the measured change in the supply voltage relative to 5 V, and the measured change in each characteristic.

The ratiometric error in Quiescent Voltage Output,  $\text{Rat}_{ERR\text{VOUT}(Q)}$  (%), for a given supply voltage,  $V_{CC}$ , is defined as:

$$\text{Rat}_{ERR\text{VOUT}(Q)} = \left(1 - \frac{V_{\text{OUT}(Q)(V_{CC})} / V_{\text{OUT}(Q)(5V)}}{V_{CC} / 5 \text{ V}}\right) \times 100\% \quad (8)$$

The ratiometric error in magnetic sensitivity,  $\text{Rat}_{ERR\text{Sens}}$  (%), for a given Supply Voltage,  $V_{CC}$ , is defined as:

$$\text{Rat}_{\text{ERRSens}} = \left( 1 - \frac{\text{Sens}_{\text{VCC}} / \text{Sens}_{\text{(5V)}}}{V_{\text{CC}} / 5 \text{ V}} \right) \times 100\% \quad . \quad (9)$$

**Power-On Reset Voltage ( $V_{\text{POR}}$ )** On power-up, to initialize to a known state and avoid current spikes, the A1366 is held in a Reset state. The Reset signal is disabled when  $V_{\text{CC}}$  reaches  $V_{\text{UVLOH}}$  and time  $t_{\text{PORR}}$  has elapsed, allowing the output voltage to go from a high impedance state into normal operation. During power-down, the Reset signal is enabled when  $V_{\text{CC}}$  reaches  $V_{\text{PORL}}$ , causing the output voltage to go into a high impedance state. (Note that detailed description of POR and UVLO operation can be found in the Functional Description section).

**Power-On Reset Release Time ( $t_{\text{PORR}}$ )** When  $V_{\text{CC}}$  rises to  $V_{\text{PORH}}$ , the Power-On Reset Counter starts. The A1366 output voltage will transition from a high impedance state to normal operation only when the Power-On Reset Counter has reached  $t_{\text{PORR}}$  and  $V_{\text{CC}}$  has exceeded  $V_{\text{UVLOH}}$ .

**Undervoltage Lockout Threshold ( $V_{\text{UVLO}}$ )** If  $V_{\text{CC}}$  drops below  $V_{\text{UVLOL}}$  output voltage will be locked to GND. If  $V_{\text{CC}}$  starts rising, the A1366 will come out of the Lock state when  $V_{\text{CC}}$  reaches  $V_{\text{UVLOH}}$ .

**UVLO Enable/Disable Delay Time ( $t_{\text{UVLO}}$ )** When a falling  $V_{\text{CC}}$  reaches  $V_{\text{UVLOL}}$ , time  $t_{\text{UVLOE}}$  is required to engage Undervoltage Lockout state. When  $V_{\text{CC}}$  rises above  $V_{\text{UVLOH}}$ , time  $t_{\text{UVLOD}}$  is required to disable UVLO and have a valid output voltage.

**Broken Wire Voltage ( $V_{\text{BRK}}$ )** If the GND pin is disconnected (broken wire event), the output voltage will go to  $V_{\text{BRK(HIGH)}}$  (if a load resistor is connected to VCC) or to  $V_{\text{BRK(LOW)}}$  (if a load resistor is connected to GND).



## Functional Description

### Power-On Reset (POR) and Undervoltage Lock-Out (UVLO) Operation

The descriptions in this section assume: temperature = 25°C, no output load ( $R_L$ ,  $C_L$ ), and no significant magnetic field is present.

- **Power-Up** At power-up, as  $V_{CC}$  ramps up, the output is in a high impedance state. When  $V_{CC}$  crosses  $V_{PORH}$  (location [1] in Figure 4 and [1'] in Figure 5), the POR Release counter starts counting for  $t_{PORR} = 64 \mu s$ . At this point, if  $V_{CC}$  exceeds  $V_{UVLOH} = 4 V$  [2'], the output will go to  $V_{CC} / 2$  after  $t_{UVLOD} = 14 \mu s$  [3']. If  $V_{CC}$  does not exceed  $V_{UVLOH} = 4 V$  [2], the output will stay in the high impedance state until  $V_{CC}$  reaches  $V_{UVLOH} = 4 V$  [3] and then will go to  $V_{CC} / 2$  after  $t_{UVLOD} = 14 \mu s$  [4].
- **$V_{CC}$  drops below  $V_{CC(min)} = 4.5 V$**  If  $V_{CC}$  drops below  $V_{UVLOL}$  [4', 5], the UVLO Enable Counter starts counting. If  $V_{CC}$  is still below  $V_{UVLOL}$  when counter reaches  $t_{UVLOE} = 64 \mu s$ , the UVLO

function will be enabled and the output will be pulled near GND [6]. If  $V_{CC}$  exceeds  $V_{UVLOL}$  before the UVLO Enable Counter reaches  $64 \mu s$  [5'], the output will continue to be  $V_{CC} / 2$ .

- **Coming out of UVLO** While UVLO is enabled [6], if  $V_{CC}$  exceeds  $V_{UVLOH}$  [7], UVLO will be disabled after  $t_{UVLOD} = 14 \mu s$ , and the output will be  $V_{CC} / 2$  [8].
- **Power-Down** As  $V_{CC}$  ramps down below  $V_{UVLOL}$  [6', 9], the UVLO Enable Counter will start counting. If  $V_{CC}$  is higher than  $V_{PORL} = 2.3 V$  when the counter reaches  $t_{UVLOE} = 64 \mu s$ , the UVLO function will be enabled and the output will be pulled near GND [10]. The output will enter a high impedance state as  $V_{CC}$  goes below  $V_{PORL}$  [11]. If  $V_{CC}$  falls below  $V_{PORL}$  before the UVLO Enable Counter reaches  $64 \mu s$ , the output will transition directly into a high impedance state [7'].

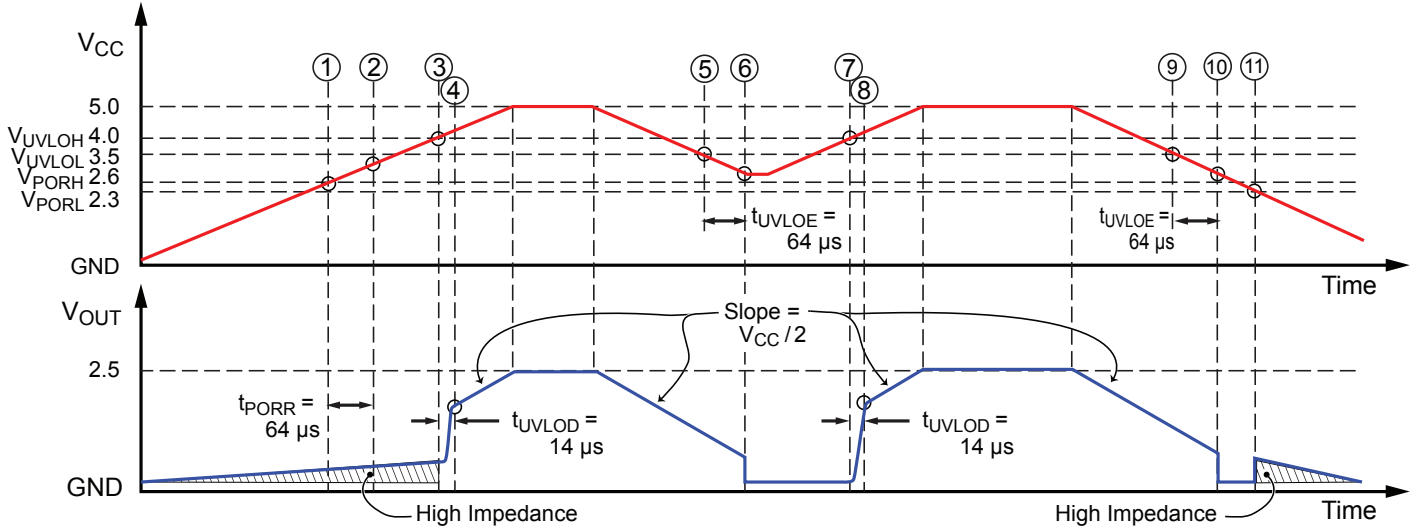


Figure 4: POR and UVLO Operation: Slow Rise Time case

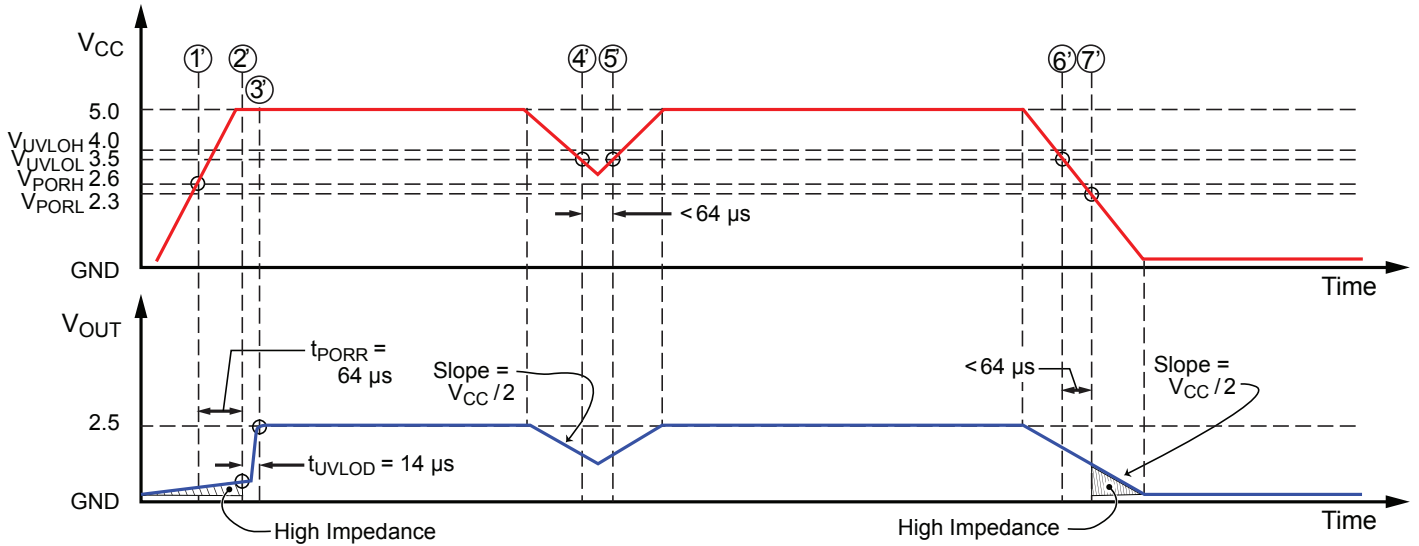
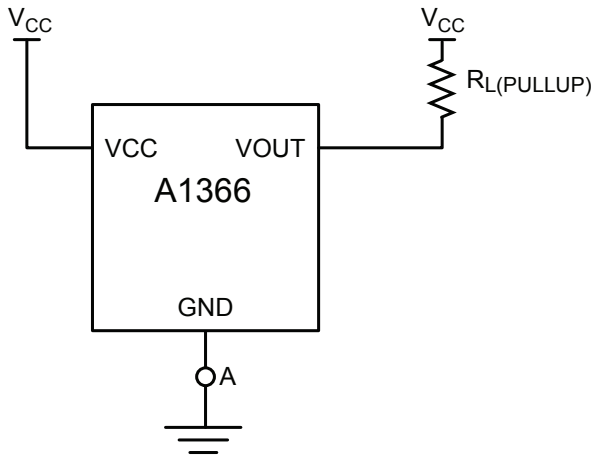


Figure 5: POR and UVLO Operation: Fast Rise Time case

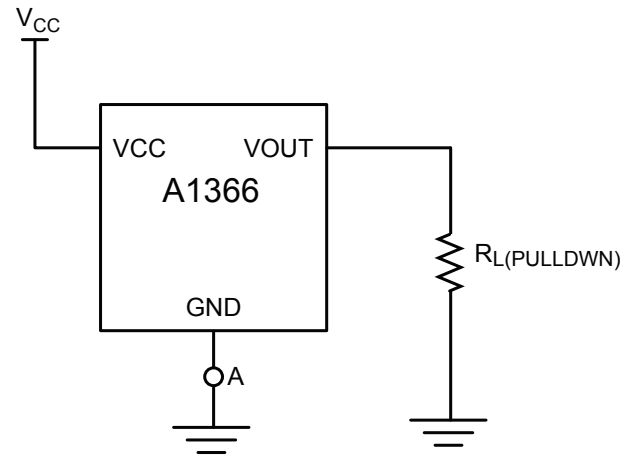
### Detecting Broken Ground Wire

If the GND pin is disconnected, node A becoming open (Figure 6), the VOUT pin will go to a high impedance state. Output voltage will go to  $V_{BRK(HIGH)}$  if a load resistor  $R_{L(PULLUP)}$  is connected to  $V_{CC}$  or to  $V_{BRK(LOW)}$  if a load resistor  $R_{L(PULLDWN)}$  is connected to GND. The device will not respond to any applied magnetic field.

If the ground wire is reconnected, A1366 will resume normal operation.



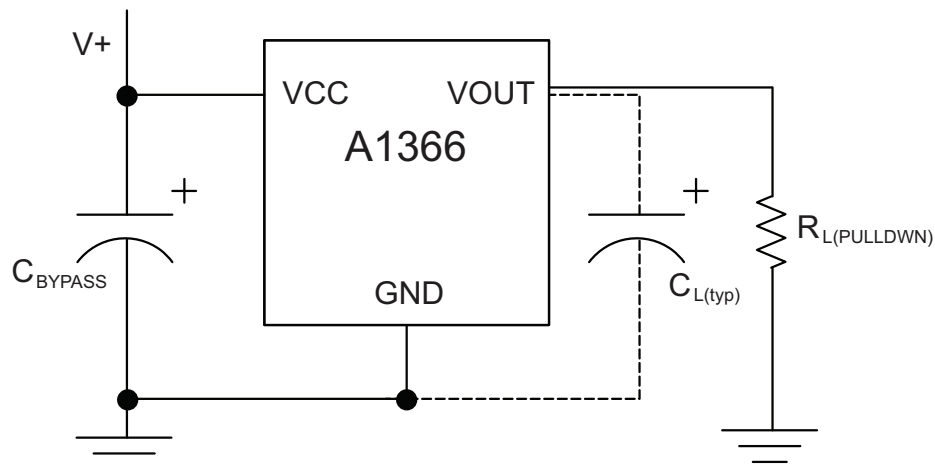
Connecting VOUT to  $R_{L(PULLUP)}$



Connecting VOUT to  $R_{L(PULLDWN)}$

Figure 6: Connections for Detecting Broken Ground Wire

### Typical Application Drawing



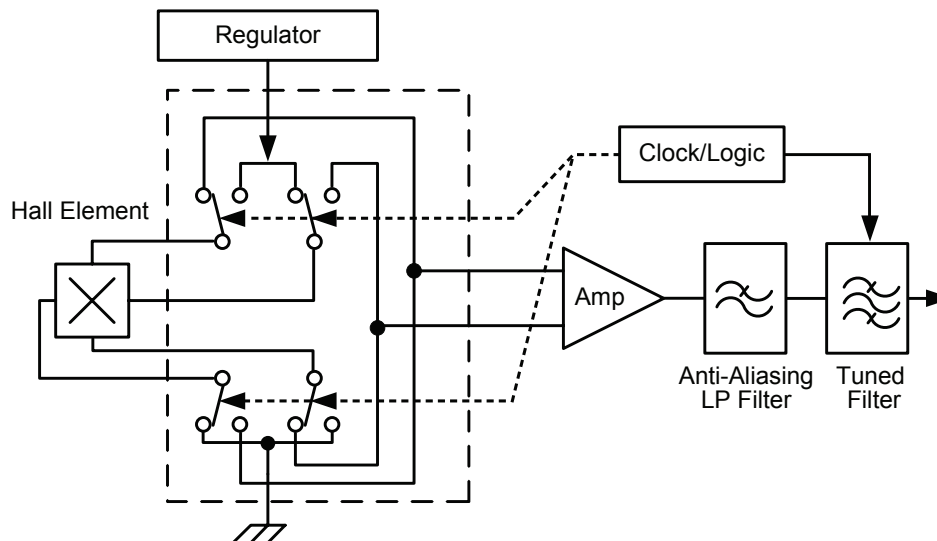
### Chopper Stabilization Technique

When using Hall-effect technology, a limiting factor for total accuracy is the small signal voltage developed across the Hall element. This voltage is disproportionately small relative to the offset that can be produced at the output of the Hall sensor. This makes it difficult to process the signal while maintaining an accurate, reliable output over the specified operating temperature and voltage ranges. Chopper stabilization is a unique approach used to minimize Hall offset on the chip.

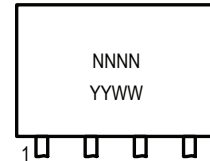
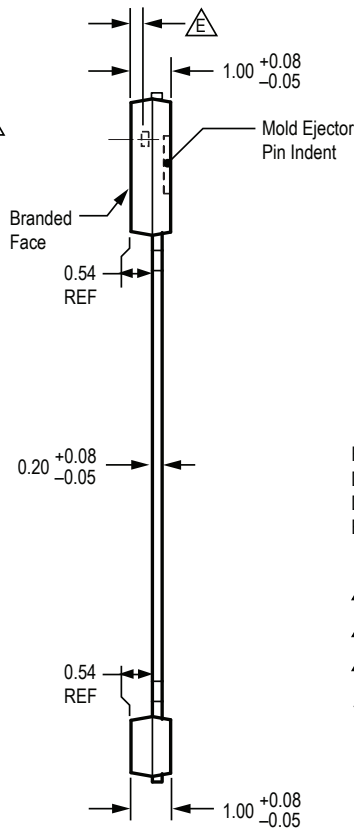
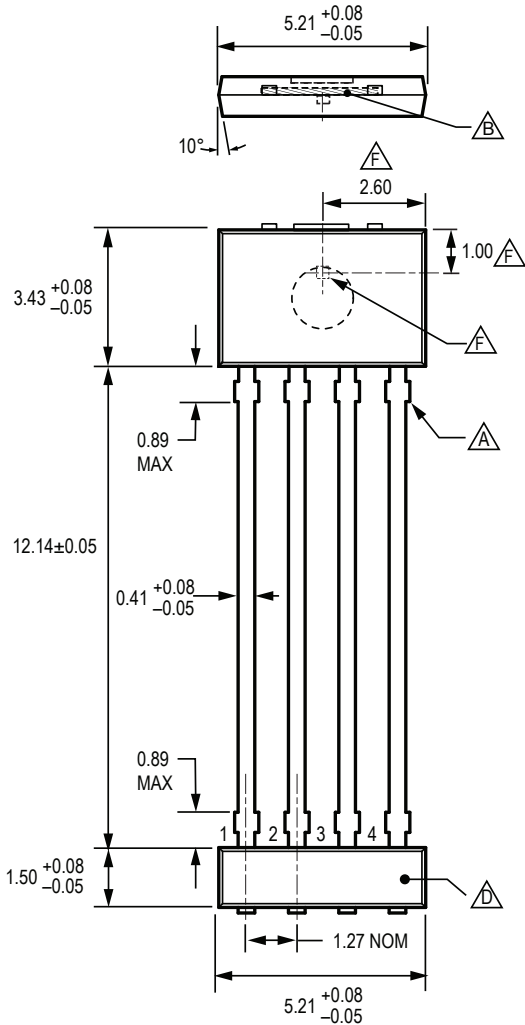
The Allegro technique removes key sources of the output drift induced by thermal and mechanical stresses. This offset reduction technique is based on a signal modulation-demodulation process. The undesired offset signal is separated from the magnetic field-induced signal in the frequency domain, through modulation. The subsequent demodulation acts as a modulation process for the offset, causing the magnetic field-induced signal to recover its

original spectrum at base band, while the DC offset becomes a high-frequency signal. The magnetic-sourced signal then can pass through a low-pass filter, while the modulated DC offset is suppressed. This high-frequency operation allows a greater sampling rate, which results in higher accuracy and faster signal-processing capability. This approach desensitizes the chip to the effects of thermal and mechanical stresses, and produces devices that have extremely stable quiescent Hall output voltages and precise recoverability after temperature cycling. This technique is made possible through the use of a BiCMOS process, which allows the use of low-offset, low-noise amplifiers in combination with high-density logic integration and a proprietary, dynamic notch filter. The new Allegro filtering techniques are far more effective at suppressing chopper induced signal noise compared to the previous generation of Allegro chopper stabilized devices.

### Concept of Chopper Stabilization



### Package KT, 4-Pin SIP



**△** Standard Branding Reference View

N = Device part number  
Y = Last two digits of year of manufacture  
W = Week of manufacture

For Reference Only; not for tooling use (reference DWG-9202)

Dimensions in millimeters

Dimensions exclusive of mold flash, gate burrs, and dambar protrusions

Exact case and lead configuration at supplier discretion within limits shown

- △** Dambar removal protrusion (16X)
- △** Gate and tie bar burr area
- △** Branding scale and appearance at supplier discretion
- △** Thermoplastic Molded Lead Bar for alignment during shipment
- △** Active Area Depth 0.37 mm REF
- △** Hall element, not to scale

**Revision History**

<b>Revision</b>	<b>Current Revision Date</b>	<b>Description of Revision</b>
–	May 1, 2014	Initial Release

Copyright ©2014, Allegro MicroSystems, LLC

Allegro MicroSystems, LLC reserves the right to make, from time to time, such departures from the detail specifications as may be required to permit improvements in the performance, reliability, or manufacturability of its products. Before placing an order, the user is cautioned to verify that the information being relied upon is current.

Allegro's products are not to be used in any devices or systems, including but not limited to life support devices or systems, in which a failure of Allegro's product can reasonably be expected to cause bodily harm.

The information included herein is believed to be accurate and reliable. However, Allegro MicroSystems, LLC assumes no responsibility for its use; nor for any infringement of patents or other rights of third parties which may result from its use.