

PART NUMBER: 334HC3700K4VM6

Conduction Cooled (High Density Resonant)

Parts are RoHS compliant

ELECTRICAL SPECIFICATIONS

Capacitance: 0.33 μ F

AC Current: 500 A

ESR: 1 milliOhms at 100 kHz and 20°C

Self Inductance: 3 Nanohenries maximum

Tolerance: -10 % , +10 %

Temperature Range: -40°C to +85°C

Maximum Core Temperature: 85°C

Resonant Frequency: 295-401 kHz

Maximum power (KVAR): 300

VAC: 700 Volts AC

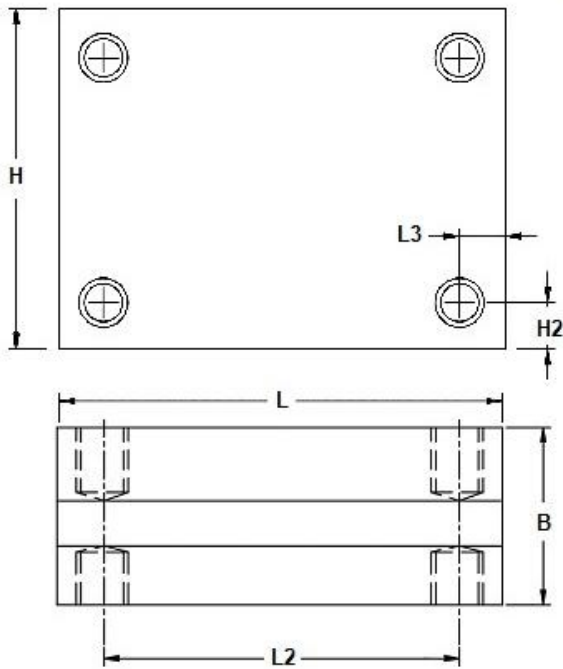
PHYSICAL DIMENSIONS

Length (L): 75 mm, 0.5 mm

Height (H): 50 mm, +/-0.5 mm

Thickness (B): 30.2 mm, +/-0.1 mm

LEAD STYLE: 4VM6



L	H	B	L2	L3	H3
75 \pm 0.5	50 \pm 0.5	30.2 \pm 0.1	65	5	5
Tightening torque: 15Nm MAX					