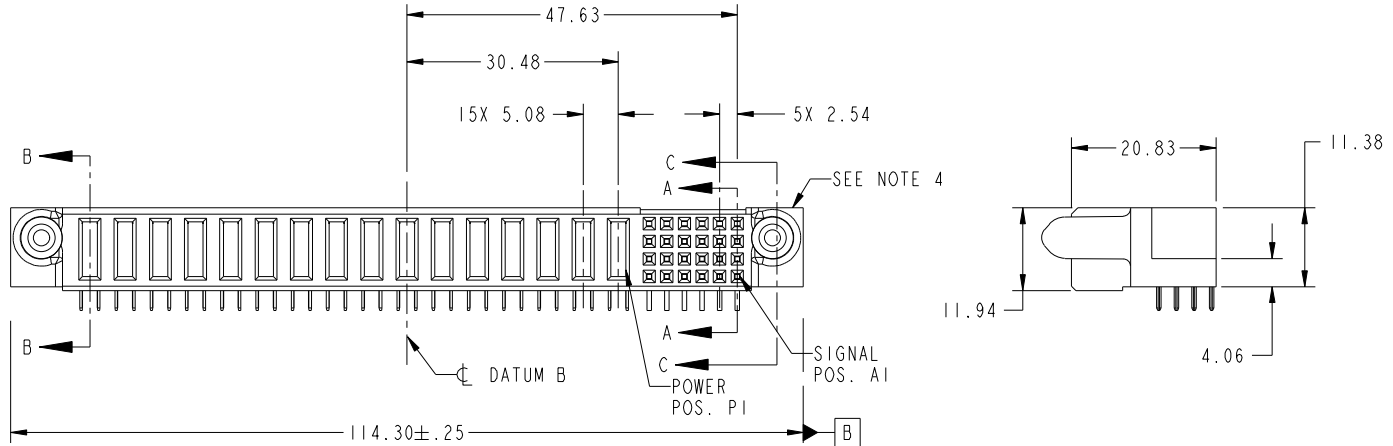
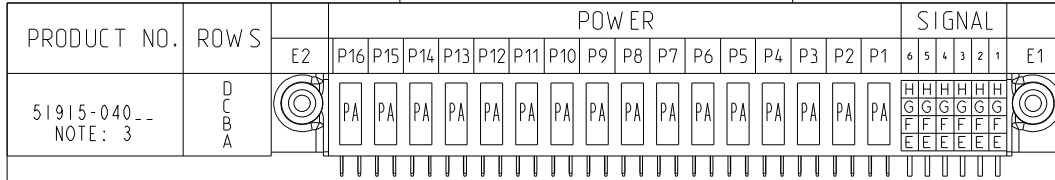


Tous droits strictement réservés. Reproduction ou communication à des tiers interdite sous quelque forme que ce soit sans autorisation écrite du propriétaire. Propriété de c FCI. Droits de reproduction FCI.



All rights strictly reserved. Reproduction or issue to third parties in any form whatever is not permitted without written authority from the proprietor. Property of FCI. Copyright FCI.



CODE	DIM "M" MATING LENGTH	CONTACT TYPE
E	[N/A]	SIGNAL
F	[N/A]	SIGNAL
G	[N/A]	SIGNAL
H	[N/A]	SIGNAL
PA	[1.07]	POWER

mat'l code				SEE NOTE 2		tolerances unless otherwise specified		CUSTOMER	
ltr	ecn no.	dr	date	linear	0.X ± 0.5	projection		COPY	
A	V03-1370	TAB	01/07/04		0.XX ± 0.25	MIM		title	
B	D605-0308	CS	09/01/05		0.XXX ± 0.10	1:1		24S + 16P R/A SOLDER RECEPTACLE	
C	D607-0498	JW	09/15/08	angles	0° ± 2°	scale		product family PwrBlade code	
				dr	T. BRUNGARD 01/07/04			size 213	
				enr	M. GRAY 01/07/04			dwg no 51915-040 sheet 1 of 4	
				chr	M. GRAY 01/07/04				
				appd	M. GRAY 01/07/04				
sheet index	revision sheet	C 1	C 2	C 3	C 4				

www.fciconnect.com	
product family PwrBlade code 213	
size 213	
dwg no 51915-040 sheet 1 of 4	

sheet index	revision sheet	C 1	C 2	C 3	C 4
-------------	----------------	-----	-----	-----	-----

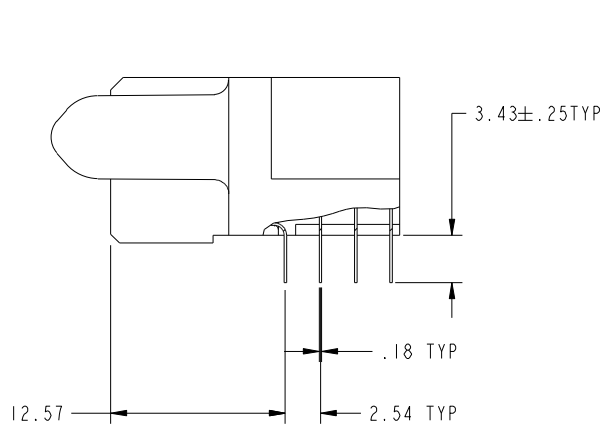
cage code	22526
-----------	-------

Tous droits strictement reserves. Reproduction ou communication a des tiers interdite sous quelque forme que ce soit sans autorisation ecrite du proprietaire. Propriete de c FCI. Droits de reproduction FCI.

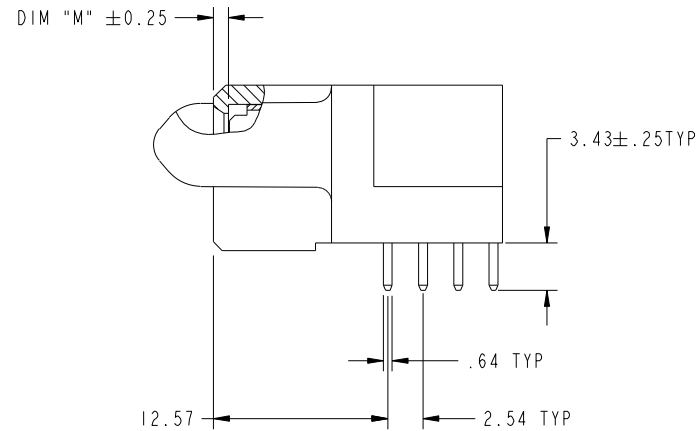


All rights strictly reserved. Reproduction or issue to third parties in any form whatever is not permitted without written authority from the proprietor. Property of FCI. Copyright FCI.

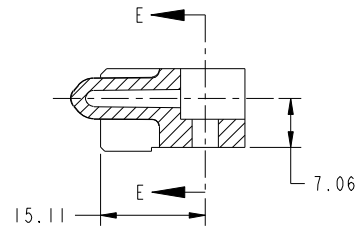
PRODUCT NUMBER
51915-040--
NOTE: 3



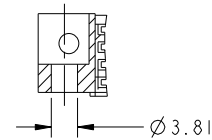
BROKEN-OUT SECTION A-A
SCALE 2:1



BROKEN-OUT SECTION B-B
SCALE 2:1



SECTION C-C



PARTIAL SECTION E-E

mat'l code				SEE NOTE 2		tolerances unless otherwise specified		CUSTOMER		www.fciconnect.com	
ltr	ecr no.	dr	date	linear	0.X ± 0.5		COPY		title 24S + 16P R/A SOLDER RECEPTACLE		
C					0.XX ± 0.25		projection				
					0.XXX ± 0.10				size dwg no 51915-040 sheet 2		
				angles	0° ± 2°				scale 1:1		
				dr	T. BRUNGARD	01/07/04			cage code 22526		
				enr	M. GRAY	01/07/04					
				chr	M. GRAY	01/07/04					
				appd	M. GRAY	01/07/04					
sheet index	revision sheet										

Pro/E

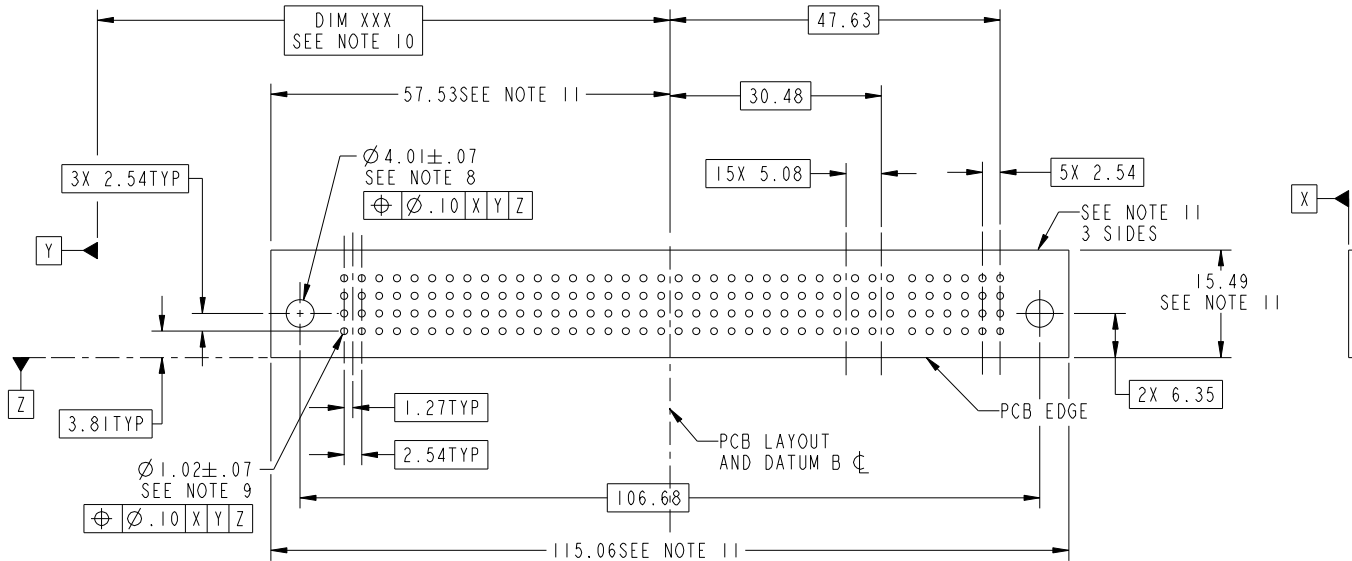
cage code 22526

Tous droits strictement reserves. Reproduction ou communication a des tiers interdite sous quelque forme que ce soit sans autorisation ecrite du proprietaire. Propriete de c FCI. Droits de reproduction FCI.



All rights strictly reserved. Reproduction or issue to third parties in any form whatever is not permitted without written authority from the proprietor. Property of FCI. Copyright FCI.

PRODUCT NUMBER
51915-040--
NOTE: 3



mat'l code				SEE NOTE 2		tolerances unless otherwise specified		CUSTOMER		www.fciconnect.com	
ltr	ecn no.	dr	date	linear	0.X ± 0.5		COPY			title	
c					0.XX ± 0.25		projection			24S + 16P	
					0.XXX ± 0.10					R/A SOLDER RECEPTACLE	
				angles	0° ± 2°		scale		product family		
				dr	T. BRUNGARD	01/07/04	1:1		PwrBlade		
				enrg	M. GRAY	01/07/04			code		
				chr	M. GRAY	01/07/04			size		
				appd	M. GRAY	01/07/04			dwg no		
sheet index		revision sheet						A		51915-040	
										213	
										sheet 3	

cage code 22526

Pro/E

Tous droits strictement reserves. Reproduction ou communication a des tiers interdite sous quelque forme que ce soit sans autorisation ecrite du proprietaire. Propriete de c FCI. Droits de reproduction FCI.



All rights strictly reserved. Reproduction or issue to third parties in any form whatever is not permitted without written authority from the proprietor. Property of FCI. Copyright FCI.

PRODUCT NUMBER
51915-040_-
NOTE: 3

NOTES:

1. DIMENSIONS AND TOLERANCES ARE IN ACCORDANCE WITH ASME Y14.5M, 1994 UNLESS OTHERWISE SPECIFIED.

CONNECTOR NOTES:

2. HOUSING MATERIAL: UL 94 V-0 GLASS FILLED HIGH-TEMP THERMOPLASTIC
POWER CONTACT MATERIAL: COPPER ALLOY
SIGNAL PIN MATERIAL: COPPER ALLOY

3. PLATING:
SEE ITEM 5 & 6 IN PRINT 10064183 FOR PLATING SPEC OF 51915-040; 51915-040LF PRESPECTIVELY

4. MANUFACTURER'S NAME, P/N, AND DATE CODE TO APPEAR ON THIS SURFACE.

5. PRODUCT SPECIFICATION GS-12-149.
APPLICATION SPECIFICATION BUS-20-067.

6. PACKAGED IN TRAYS.

PCB NOTES:

7. ALL HOLE DIAMETERS ARE FINISHED HOLE SIZE.

8. MOUNTING HOLES, WHERE APPLICABLE, ARE UNPLATED.

9. $\varnothing 1.151 \pm 0.025$ DRILLED HOLES PLATED WITH 0.008 MIN SnPb OR Sn OVER 0.03 TO 0.08 Cu PLATING TO ACHIEVE $\varnothing 1.02 \pm 0.07$ HOLE.

10. "DIM XXX" TO BE DETERMINED BY THE CUSTOMER.

11. CONNECTOR KEEP-OUT ZONE.

12. A \triangle SYMBOL WILL BE NEXT TO ANY DIMENSION, VIEW, OR NOTE WHICH HAS BEEN MODIFIED WITH THE CURRENT DRAWING REVISION.

mat'l code		SEE NOTE 2		tolerances unless otherwise specified		CUSTOMER		FCI		www.fciconnect.com					
ltr	ecn no.	dr	date	linear	0.X ± 0.5	COPY		 title 24S + 16P R/A SOLDER RECEPTACLE							
C					0.XX ± 0.25	projection						product family PwrBlade		code 213	
				angles	0.XXX ± 0.10	 MIM						size		sheet 4	
				dr	T. BRUNGARD 01/07/04	scale		A		51915-040					
				enr	M. GRAY 01/07/04	1:1									
				chr	M. GRAY 01/07/04										
				appd	M. GRAY 01/07/04										
sheet index	revision sheet														

cage code 22526

Pro/E