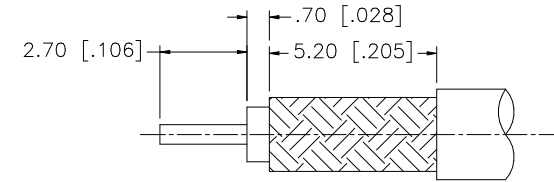
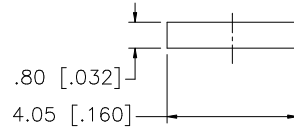
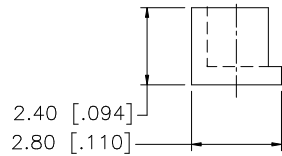
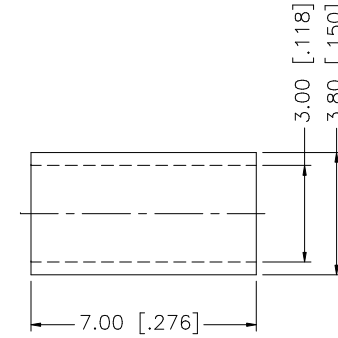
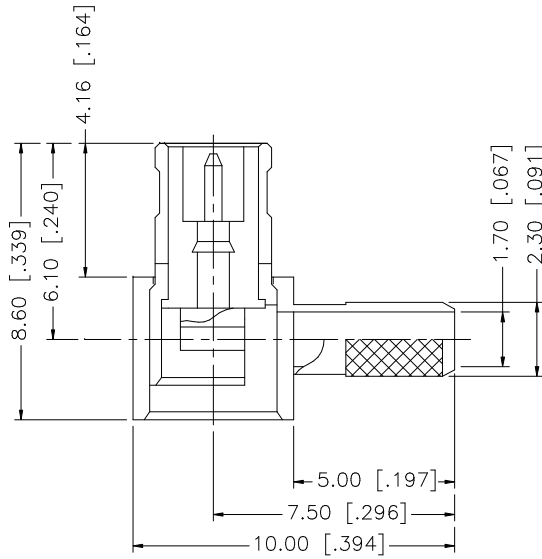
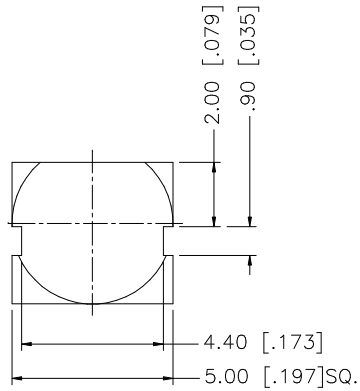


REV.	DATE	DESCRIPTION
A	01/30/04	UPDATE DRAWING FORMAT



RECOMMENDED  
CABLE STRIPPING DIM'S

NOTE:

1. CRIMPED FERRULE  
HEX CRIMP SIZE .128"
2. CONTACT PIN TO SOLDER

DESCRIPTION	MATERIAL	FINISH	QTY	DO NOT SCALE DRAWING	APPROVALS	DATE	<h1 style="color: blue; margin: 0;">Amphenol Connex</h1> <p style="text-align: center; margin: 0;">PART DESCRIPTION MCX R/A CRIMP PLUG (FOR RG-179/U, 187A/U CABLE)</p> <p style="text-align: center; margin: 0;">PART NO. 252102-75</p> <p style="margin: 0;">DWG. NO. 252102-75.DWG    REV. A    SIZE A    SCALE NA</p>	
8					DRAWN	G.R.S.		01/30/04
7					CHECKED			
6	FERRULE	COPPER	GOLD	1	ISSUED			
5	COVER	BRASS	GOLD	1	SHEET	1 OF 1		
4	INSULATOR	DELTRIN	NATURAL	1	CAD FILE	C:/252/252102-75.DWG		
3	CONTACT PIN	BRASS	GOLD	1	<small>UNLESS OTHERWISE SPECIFIED DIMENSIONS ARE IN MILLIMETERS. DIMENSIONS IN [ ] ARE IN INCHES AND FOR CUSTOMER REFERENCE ONLY.</small> <small>UNLESS OTHERWISE SPECIFIED TOLERANCES FOR MILLIMETERS ARE:</small> 0.5 - 8mm ± 0.20mm 8 - 30mm ± 0.40mm 30 - 120mm ± 0.50mm <small>UNLESS OTHERWISE SPECIFIED TOLERANCES FOR INCHES ARE:</small> .020 - .315 = ± 0.007" .315 - 1.180 = ± 0.015" 1.180 - 4.724 = ± 0.020"			
2	INSULATOR	TEFLON	NATURAL	1				
1	BODY	BER. COPPER	GOLD	1				