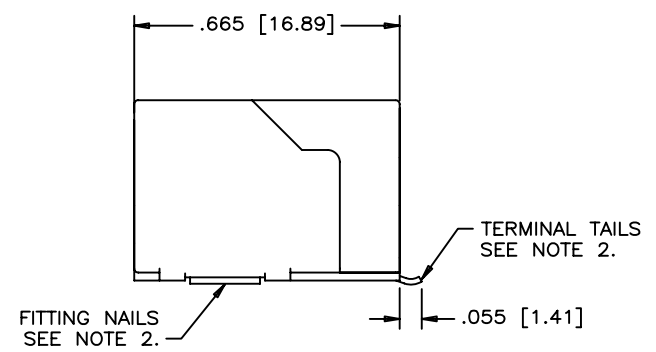
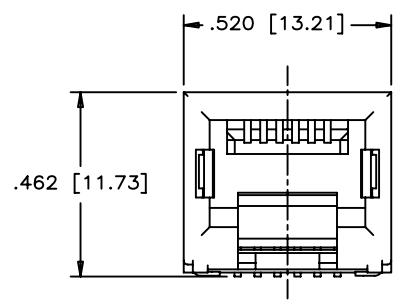


REVISIONS				
SYM	ZONE	ECN, ERN NO.	DATE	APPRD.
A		PER ECN E07386	OCT31/07	L.CHAN



**DATA CONTROL
RELEASE**
DEPT. NO. --626--
DATE: NOV 7, 2007

NOTES:

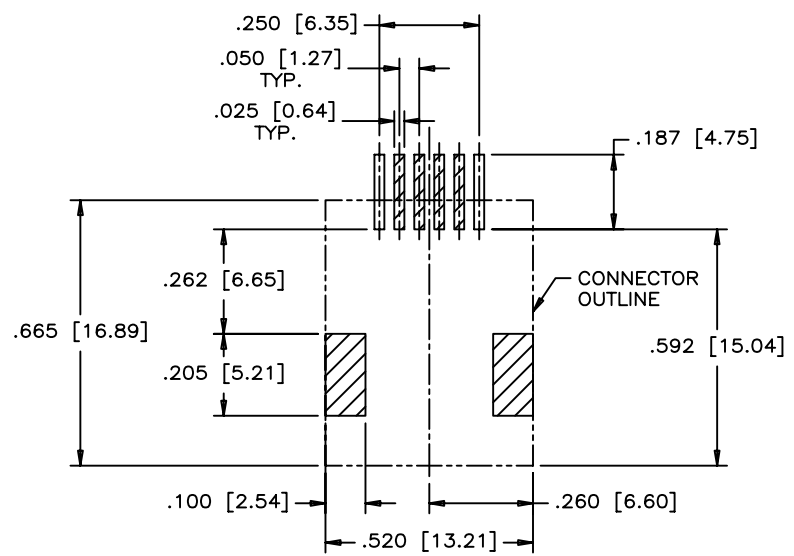
1. MATERIALS:

HOUSING: HIGH TEMPERATURE THERMOPLASTIC.
FLAMMABILITY RATING UL 94V-0
COLOUR: BLACK

CONTACTS: PHOSPHOR BRONZE
PLATING: GOLD PLATED REFER TO PART NUMBER ON MATING SURFACES.
50 μ" [1.27 MICRONS] MIN. NICKEL UNDERPLATE.
100 μ" [2.54 MICRONS] MIN. MATTE TIN ON CONTACT TAILS.

2. COPLANARITY SPECIFICATION:

WITH THE MODULAR JACK SITTING ON A LEVEL SURFACE, THE MAXIMUM GAP BETWEEN THE LEVEL SURFACE AND ALL TERMINAL TAILS AND BOTH FITTING NAILS IS .004 [0.10].



AMPHENOL PART NO.: R J L S E - 6 X 0 6 1 - 0 1 T

GOLD PLATING
0 = GOLD FLASH
1 = 15 MICRO" GOLD PLATING
2 = 30 MICRO" GOLD PLATING
3 = 50 MICRO" GOLD PLATING

**RECOMMENDED P.C.B. LAYOUT
(COMPONENT SIDE OF BOARD)**

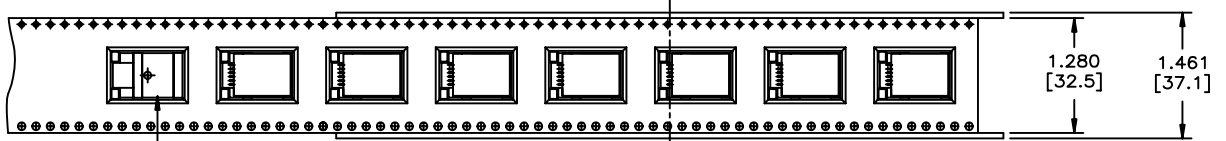
DRAWN	Chigow	DATE	05/11/17	Amphenol Canada Corp.	
DESIGNED					
CHECKED	PAULW	DATE	05/11/17	TITLE SURFACE MOUNT MODULAR JACK 6 POSITION, 6 CONTACTS, WITHOUT SHIELD, TAPE & REEL PACKAGING-ROHS COMPLIANT	
I. E. APPRD.					
Q. A. APPRD.					
DWG. APPRD.					
ENG. REL. NO.		DWG	DRAWING NO.	REV.	
REF.				P-RJLSE-6X061-01T A	
DIMENSIONS ARE IN	INCHES [mm]	CODE ID. NO.	03554	SCALE	
			WT.	SURF.	SHEET 1 OF 2

THIS DOCUMENT CONTAINS PROPRIETARY INFORMATION AND SUCH INFORMATION MAY NOT BE DISCLOSED TO OTHERS FOR ANY PURPOSE OR USED FOR MANUFACTURING PURPOSES WITHOUT WRITTEN PERMISSION FROM AMPHENOL CANADA CORP.

REVISIONS				
SYM	ZONE	ECN, ERN NO.	DATE	APPRD.
A		PER ECN E07386	OCT31/07	L.CHAN

← DIRECTION OF CONNECTOR LOADED INTO MACHINE.
LEADS FACING FRONT SIDE

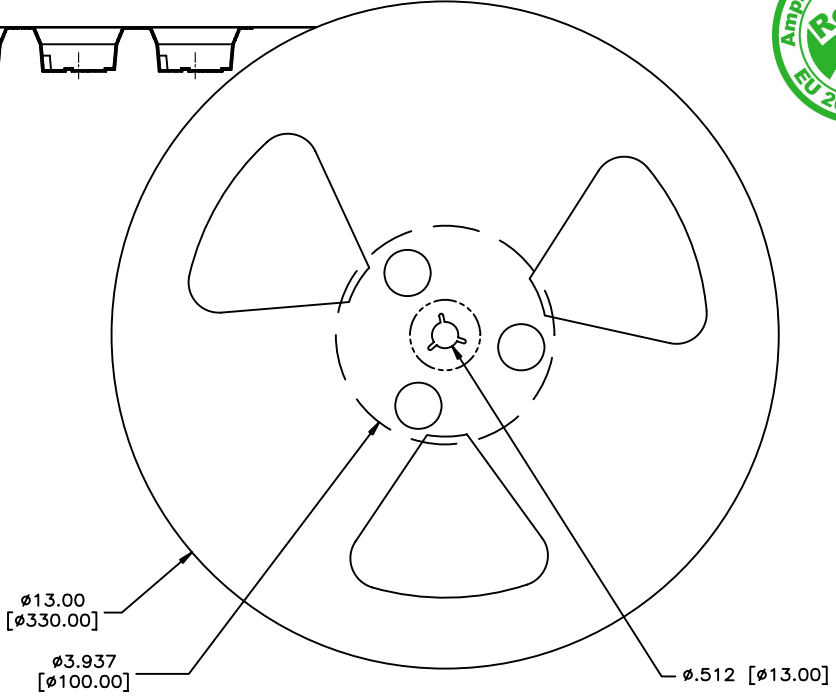
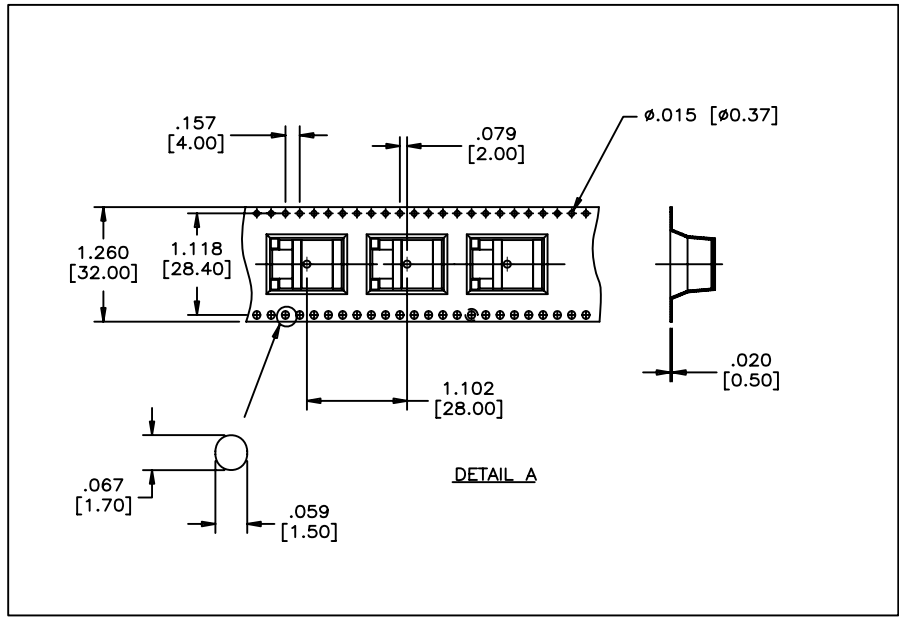
**DATA CONTROL
RELEASE**
DEPT. NO. ---626---
REV. NOV 7, 2007



SEE DETAIL 'A' BELOW FOR CARRIER TAPE DETAIL
TOP VIEW (COVER TAPE NOT SHOWN)
(SHOWN WITH RJ45 6 POSITION CONNECTORS)

PACKAGING NOTES:

- ONE REEL SHOULD HOLD 170 CONNECTORS.
- 17 EMPTY CAVITIES FOR CARRIER TAPE LEADER & 7 EMPTY CAVITIES FOR CARRIER TAPE TRAILER.
- A FULLY LOADED CARTON SHOULD CONTAIN 7 REELS OF CONNECTORS.



THIS DOCUMENT CONTAINS PROPRIETARY INFORMATION AND SUCH INFORMATION MAY NOT BE DISCLOSED TO OTHERS FOR ANY PURPOSE OR USED FOR MANUFACTURING PURPOSES WITHOUT WRITTEN PERMISSION FROM AMPHENOL CANADA CORP.

DRAWN	J. QUYANG	DATE	OCT31/07
DESIGNED			
CHECKED	CHIGOW	DATE	OCT31/07
I. E. APPRD.	JEFF.S	DATE	OCT31/07
Q. A. APPRD.	BORIS	DATE	OCT31/07
DWG. APPRD.			
ENG. REL. NO.	E07386		
REF.	EAR #071020		
DIMENSIONS ARE IN	CODE ID. NO.		
INCHES [mm]	03554		

Amphenol Canada Corp.

TITLE SURFACE MOUNT MODULAR JACK
6 POSITION, 6 CONTACTS, WITHOUT SHIELD,
TAPE & REEL PACKAGING-ROHS COMPLIANT

DWG	DRAWING NO.	REV.
	P-RJLSE-6X061-01T	A
SCALE	NTS	WT. -----
	SURF. -----	SHEET 2 OF 2