

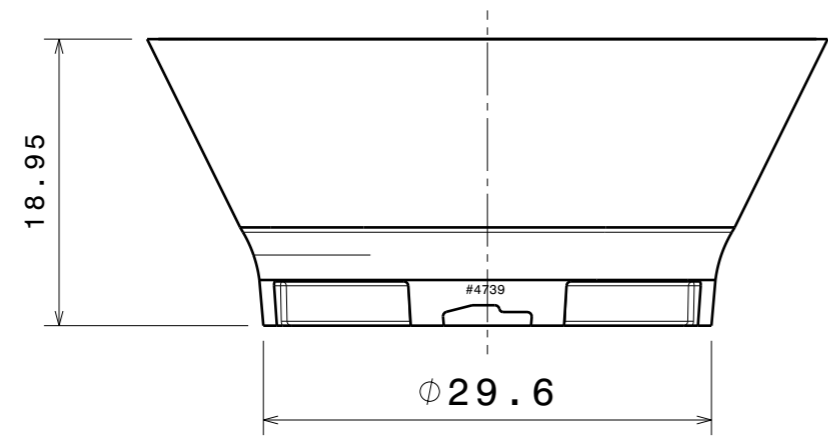
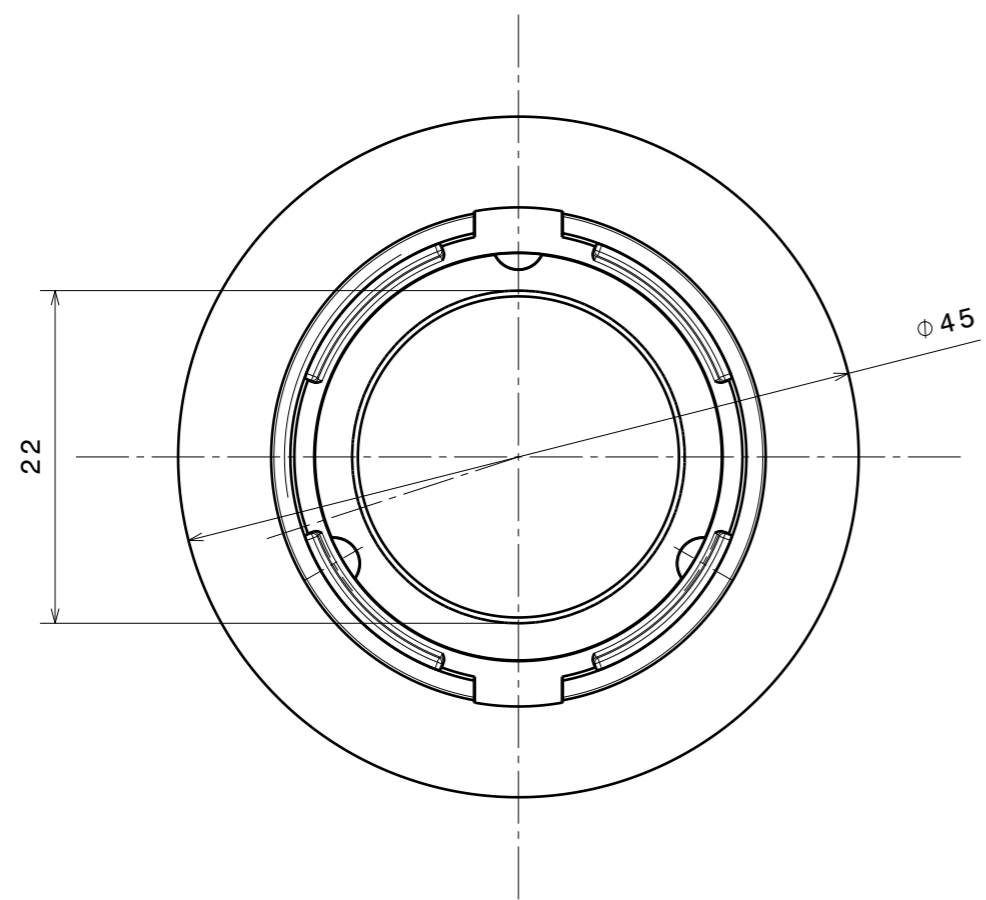
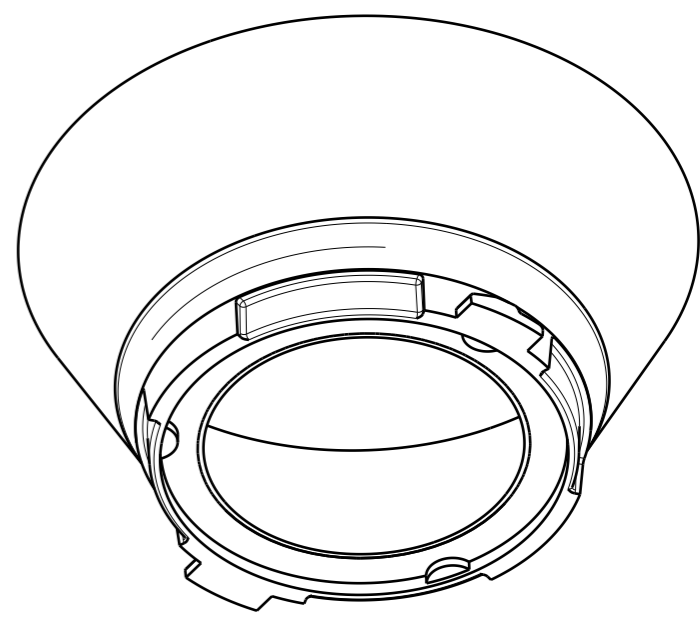
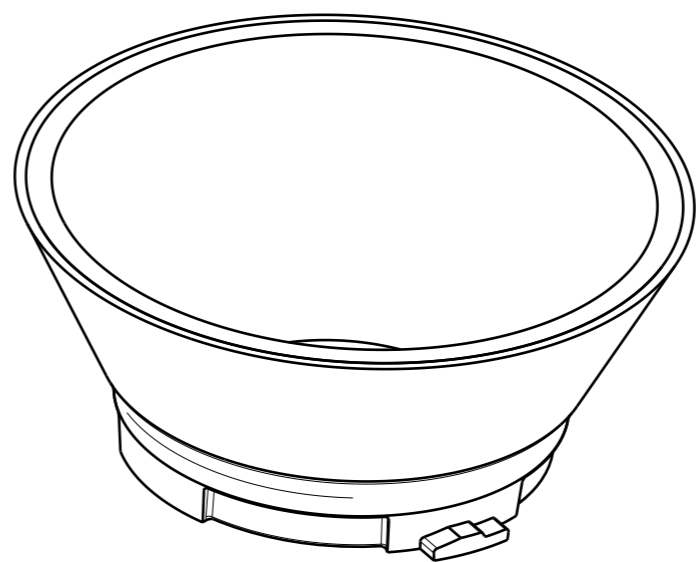
## DETAILS

<b>Product Number</b>	F14739_BROOKE-G2-M
<b>Family</b>	Brooke
<b>Type</b>	Reflector
<b>Color</b>	metal
<b>Diameter</b>	45 mm
<b>Height</b>	19,7 mm
<b>Style</b>	round
<b>Optic Material</b>	PC
<b>Holder Material</b>	
<b>Fastening</b>	socket
<b>Status</b>	production ready
<b>ROHS Compliant</b>	Yes
<b>Date Updated</b>	1/02/2017



## OPTICAL PROPERTIES

LED	Viewing	Light	Effi-		
	Angle	Beam	ciency	cd/lm	Connector
V8 Gen6	sim: 25	Medium	-	sim: 0.000	LEDiL: F15253_HEKLA-SOCKET-A
CLL02x/CLU02x (LES10)	NA deg	Medium	-	sim: 0.000	LEDiL: F15255_HEKLA-SOCKET-C
CLL02x/CLU02x (LES10)	sim: 26	Medium	sim: 92 %	sim: 2.500	LEDiL: F15255_HEKLA-SOCKET-C
CXA/B 15xx	sim: 25	Medium	-	sim: 0.000	LEDiL: F15256_HEKLA-SOCKET-D
CXA/B 1816 & CXA/B 1820 & CXA 1850	sim: 31	Medium	-	sim: 0.000	LEDiL: F15254_HEKLA-SOCKET-B
COB D Series LES 9.8 mm	28 deg	Medium	94 %	2.000	LEDiL: F15255_HEKLA-SOCKET-C
MJT COB LES 6	20 deg	Medium	93 %	2.700	LEDiL: F15255_HEKLA-SOCKET-C
MJT COB LES 9.8	31 deg	Medium	93 %	1.800	LEDiL: F15255_HEKLA-SOCKET-C
SLE G6 LES15	sim: 32	Medium	sim: 92 %	sim: 1.900	LEDiL: F15859_HEKLA-SOCKET-I
SLE G6 LES10	sim: 29	Medium	sim: 94 %	sim: 2.100	LEDiL: F15255_HEKLA-SOCKET-C
SLE G6 LES17	sim: 36	Medium	sim: 92 %	sim: 1.590	LEDiL: F15859_HEKLA-SOCKET-I



INDEX	PART NO	DESCRIPTION	MATERIAL	COLOUR
1	F14739	BROOKE-G2-M	PC	metal

**LEDiL** LediL Oy  
 Salorankatu 10  
 FIN 24240 SALO  
 Finland

Tolerances if not otherwise shown  
 According to DIN ISO 2768-1  
 Linear measures:  
 Up to 30mm class M, otherwise class C.  
 According to DIN ISO 2768-2  
 Form and position: class L

THIRD ANGLE PROJECTION:

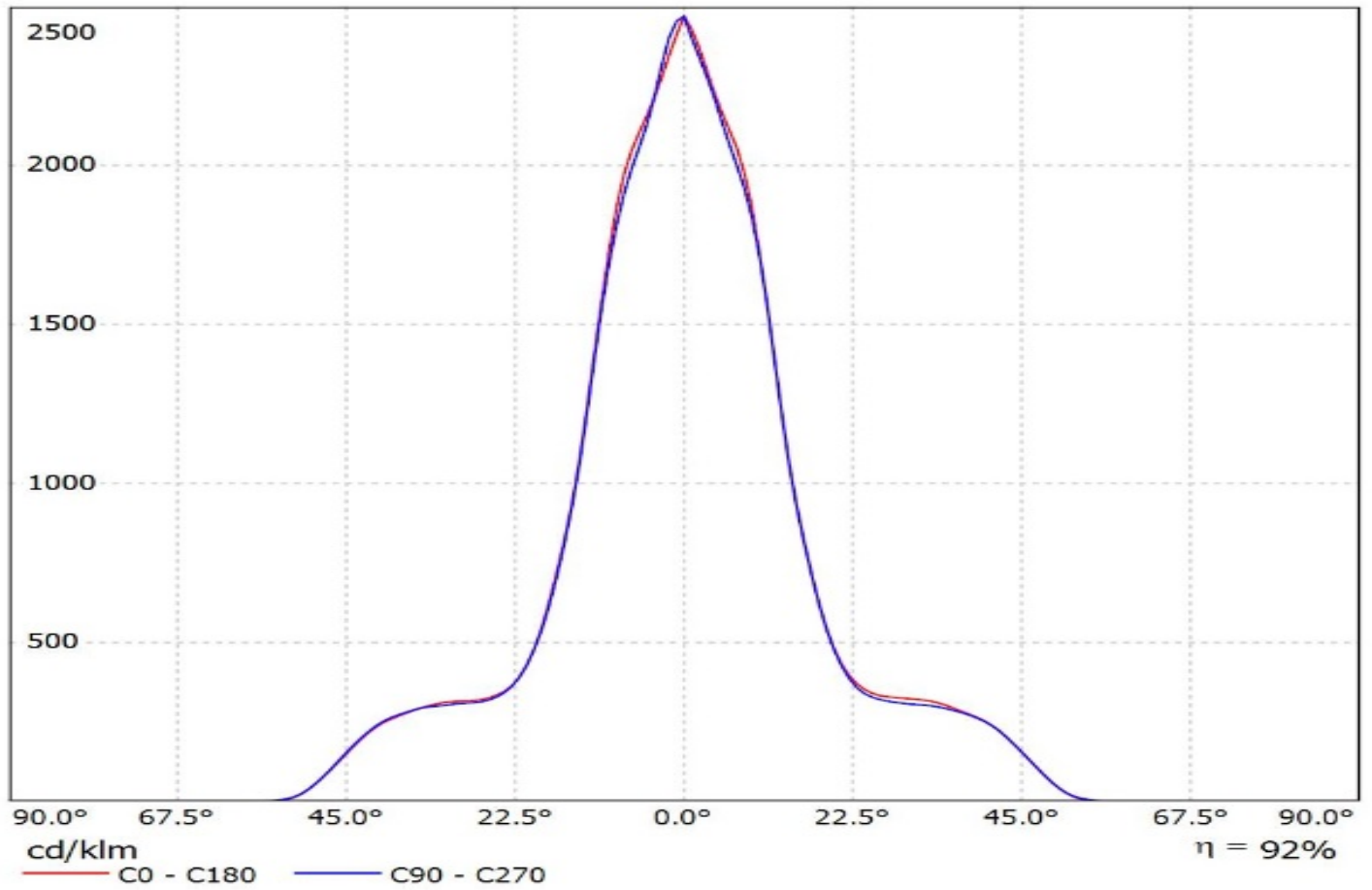
**DRAWING TITLE**  
**F14739\_BROOKE-G2-M Datasheet**

This drawing is the property  
 of LEDiL Oy. It may not be  
 reproduced, copied or  
 communicated without a written  
 agreement with LEDiL Oy.

<b>SIZE</b>	<b>PART NUMBER</b>
<b>A3</b>	<b>F14739</b>

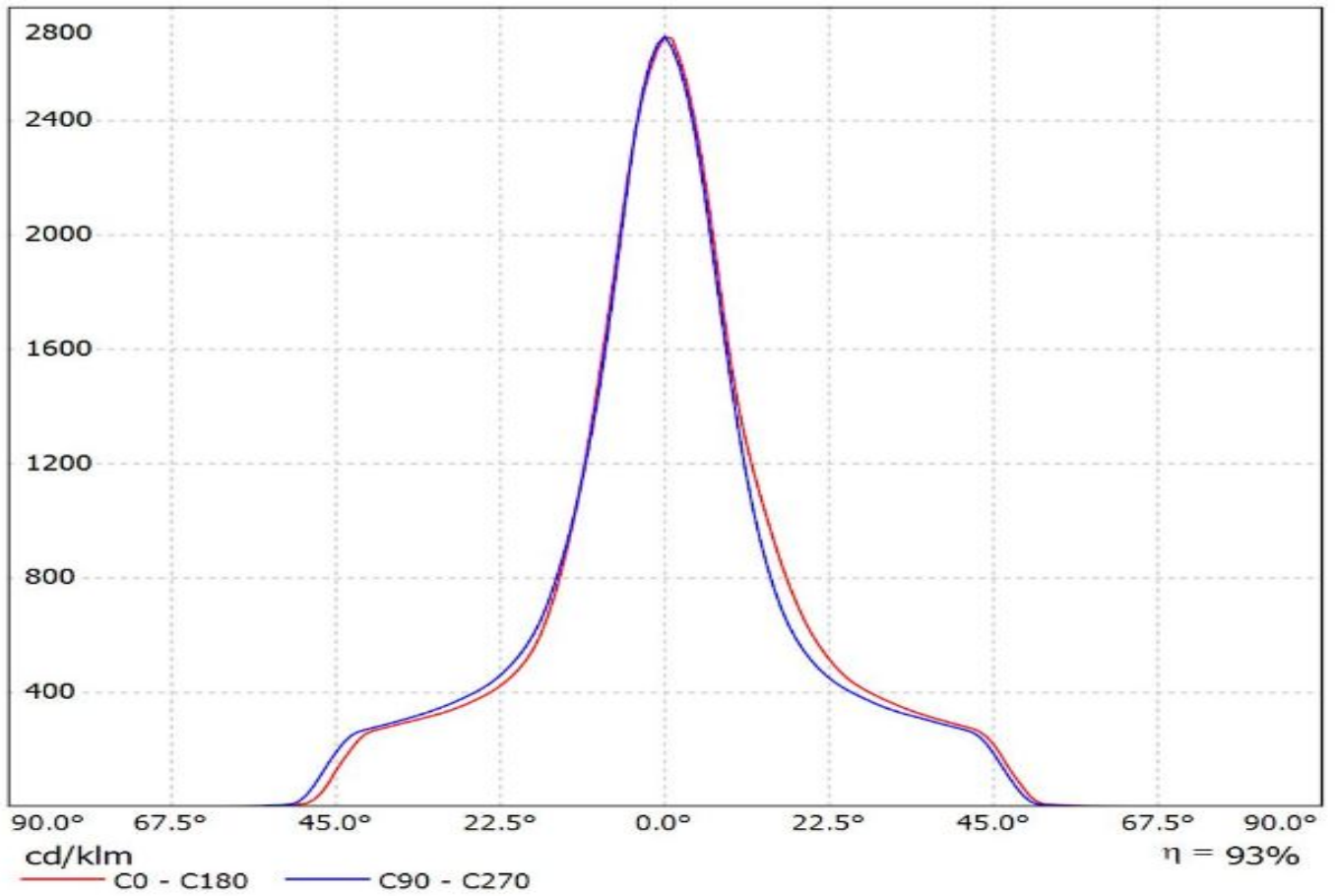
<b>SCALE</b>	<b>1:1</b>	<b>WEIGHT</b>	<b>4,5 g</b>	<b>SHEET</b>	<b>1/1</b>
--------------	------------	---------------	--------------	--------------	------------

Luminaire: Ledil Oy F14739\_BROOKE-G2-M\_+\_F15255\_HEKLA-SOCKET-C\_(CLU028)\_SIMULATED  
Lamps: 1 x Citizen CLU028-1204C4-303M2K1 + F15255\_HEKLA-SOCKET-C



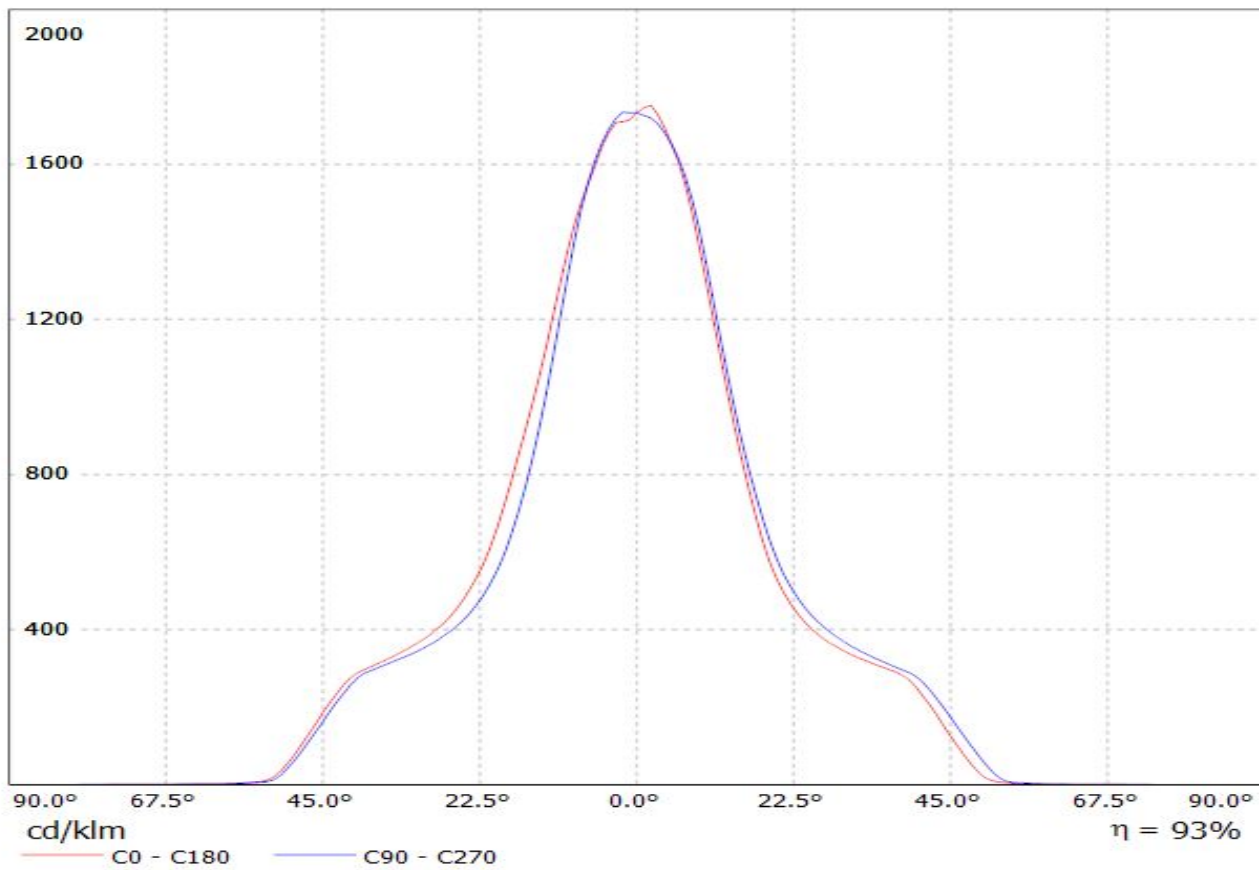
Luminaire: Ledil F14739\_BROOKE-G2-M (MJT\_6W\_Les6)

Lamps: 1 x Seoul\_MJT\_6W\_Les6mm\_(SAWx0661A)\_838.42lm@180mA\_P=6.48702W\_I=0.18A

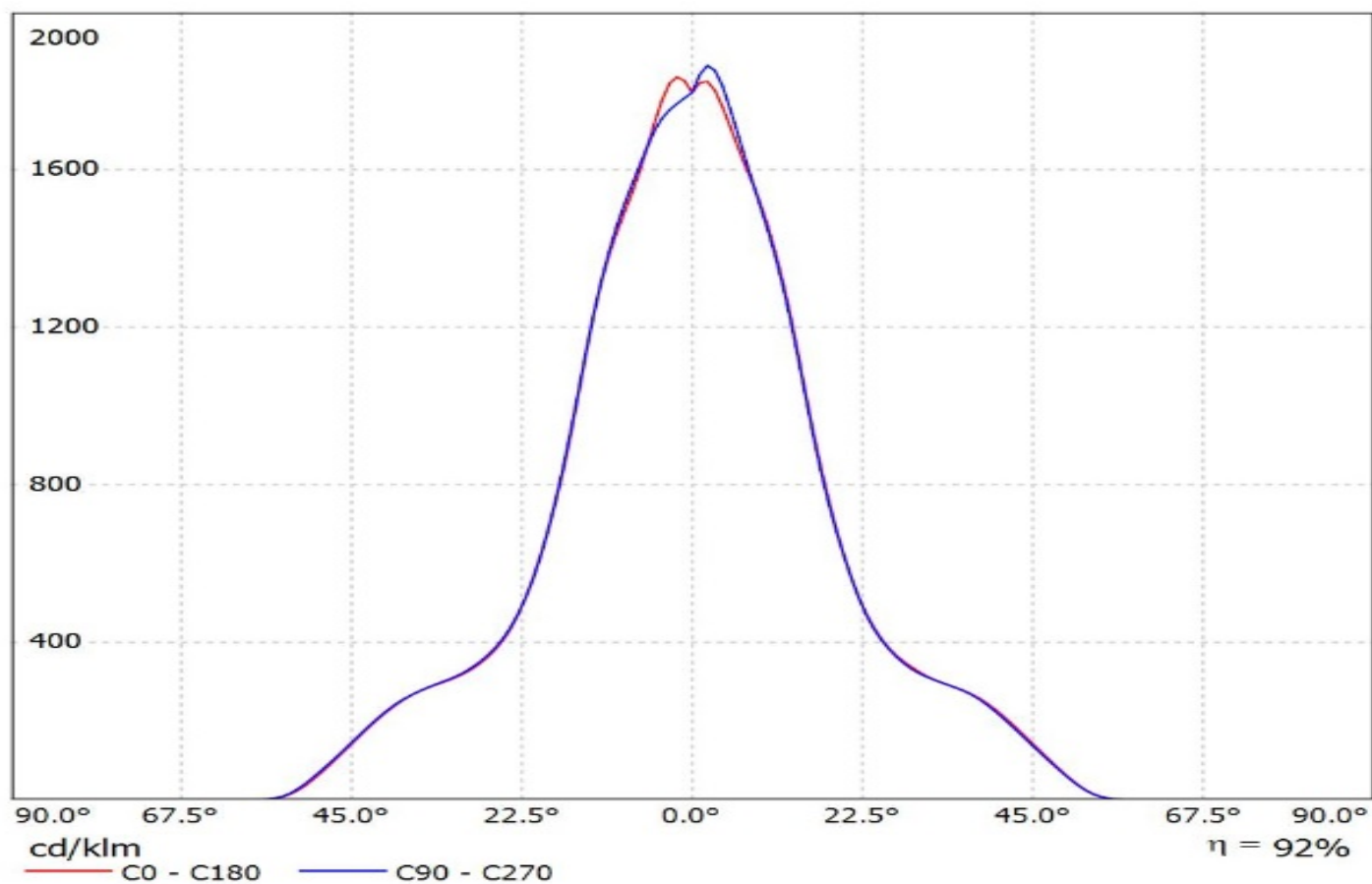


Luminaire: Ledil F14739\_BROOKE-G2-M\_(MJT\_12W\_Les9,8)

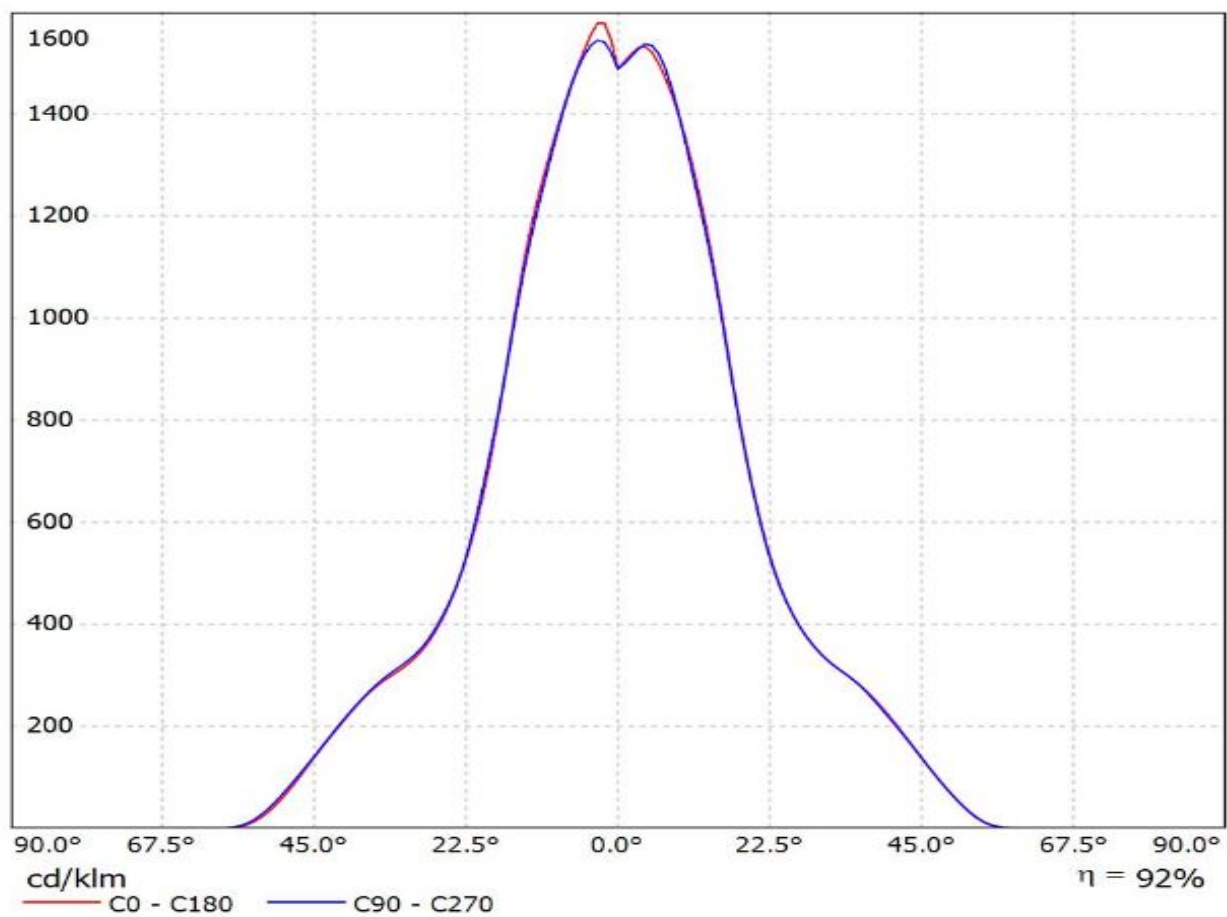
Lamps: 1 x Seoul\_MJT\_12W\_Les9.8mm\_(SAWx1063A)\_1269.11lm@250mA\_P=8.415W\_I=0.25A



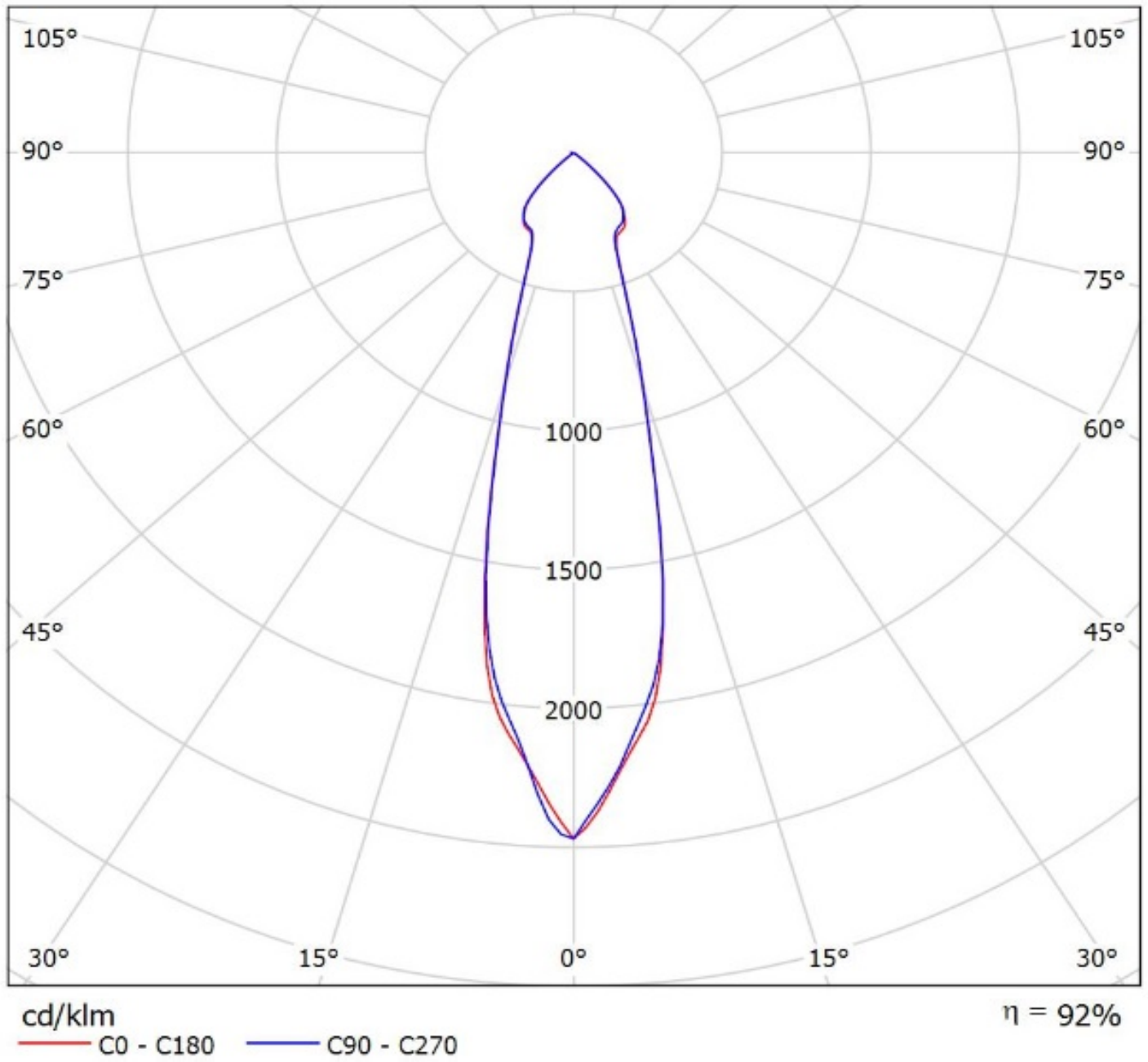
Luminaire: Ledil Oy PRELIMINARY\_F14739\_BROOKE-G2-M+\_F15859\_HEKLA-SOCKET-I\_ (SLE\_G6\_LES15)\_SIMULATED  
Lamps: 1 x Tridonic SLE G6 LES15 + F15859\_HEKLA-SOCKET-I



Luminaire: Ledil Oy F14739\_BROOKE-G2-M+\_F15859\_HEKLA-SOCKET-I\_TRIDONIC\_SLE\_G6\_LES17\_SIMULATED  
Lamps: 1 x TRIDONIC SLE G6 LES17



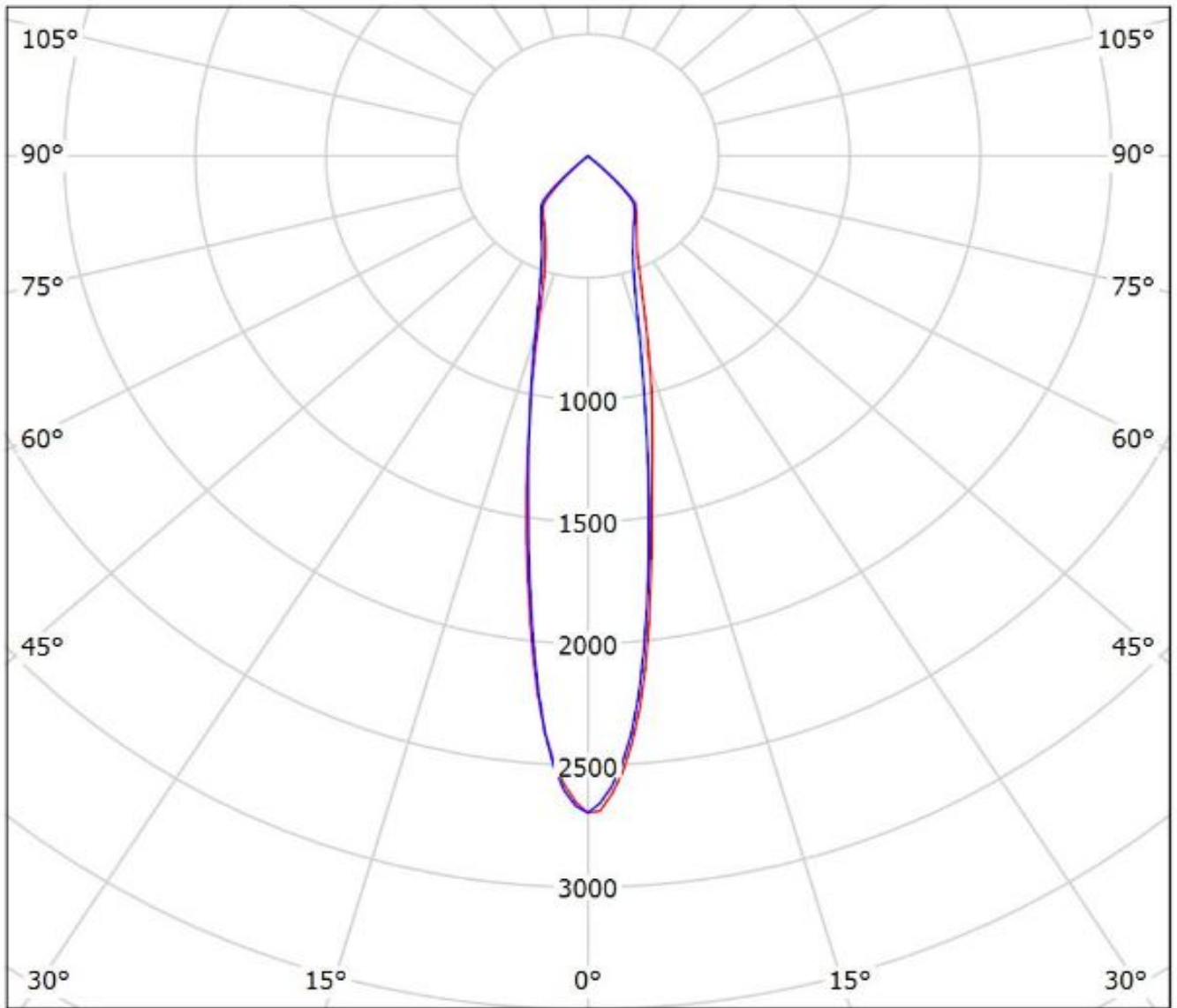
Luminaire: Ledil Oy F14739\_BROOKE-G2-M\_ + F15255\_HEKLA-SOCKET-C\_(CLU028)\_SIMULATED  
Lamps: 1 x Citizen CLU028-1204C4-303M2K1 + F15255\_HEKLA-SOCKET-C





Luminaire: Ledil F14739\_BROOKE-G2-M\_(MJT\_6W\_Les6)

Lamps: 1 x Seoul\_MJT\_6W\_Les6mm\_(SAWx0661A)\_838.42lm@180mA\_P=6.48702W\_I=0.18A



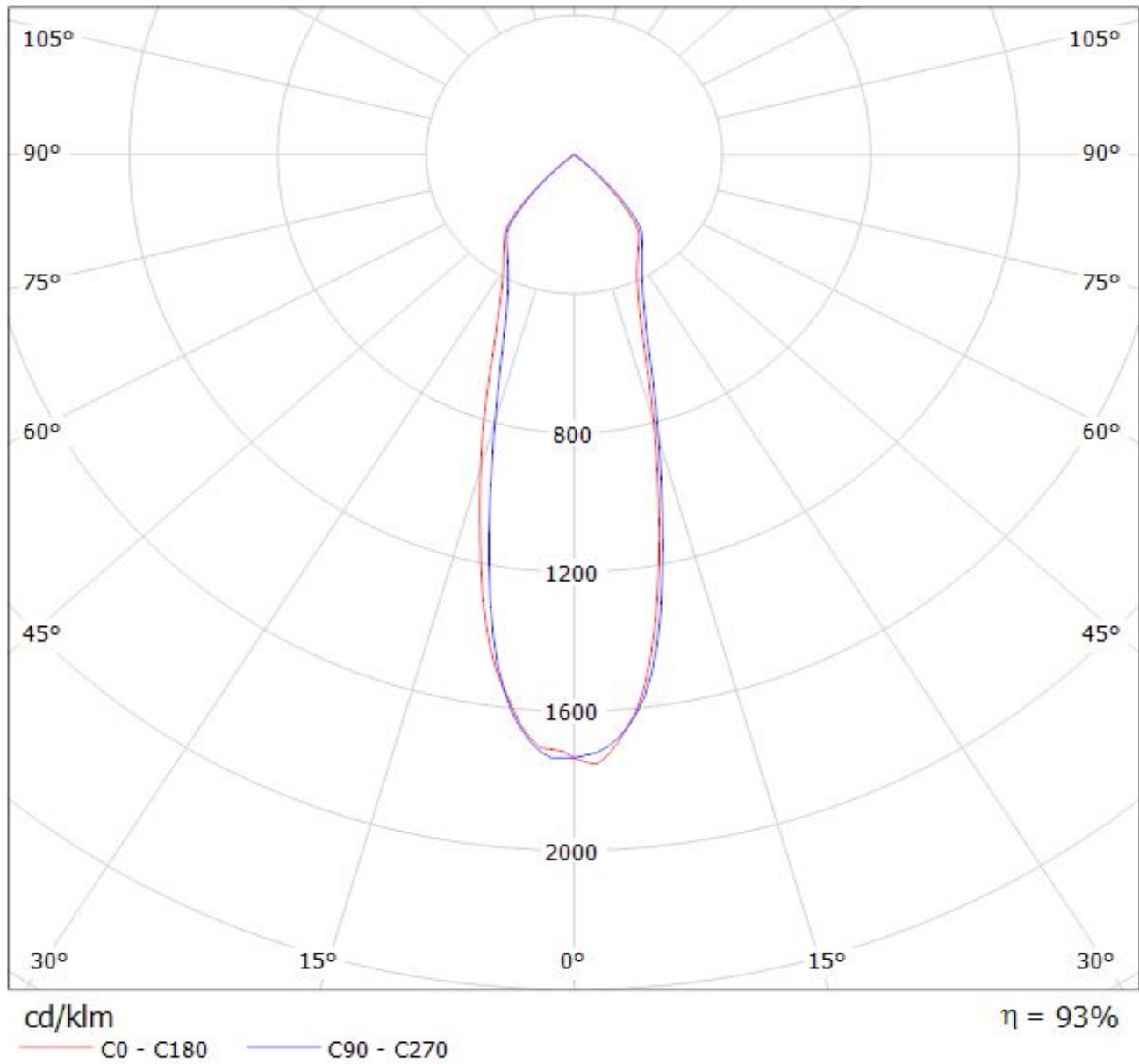
cd/klm

— C0 - C180 — C90 - C270

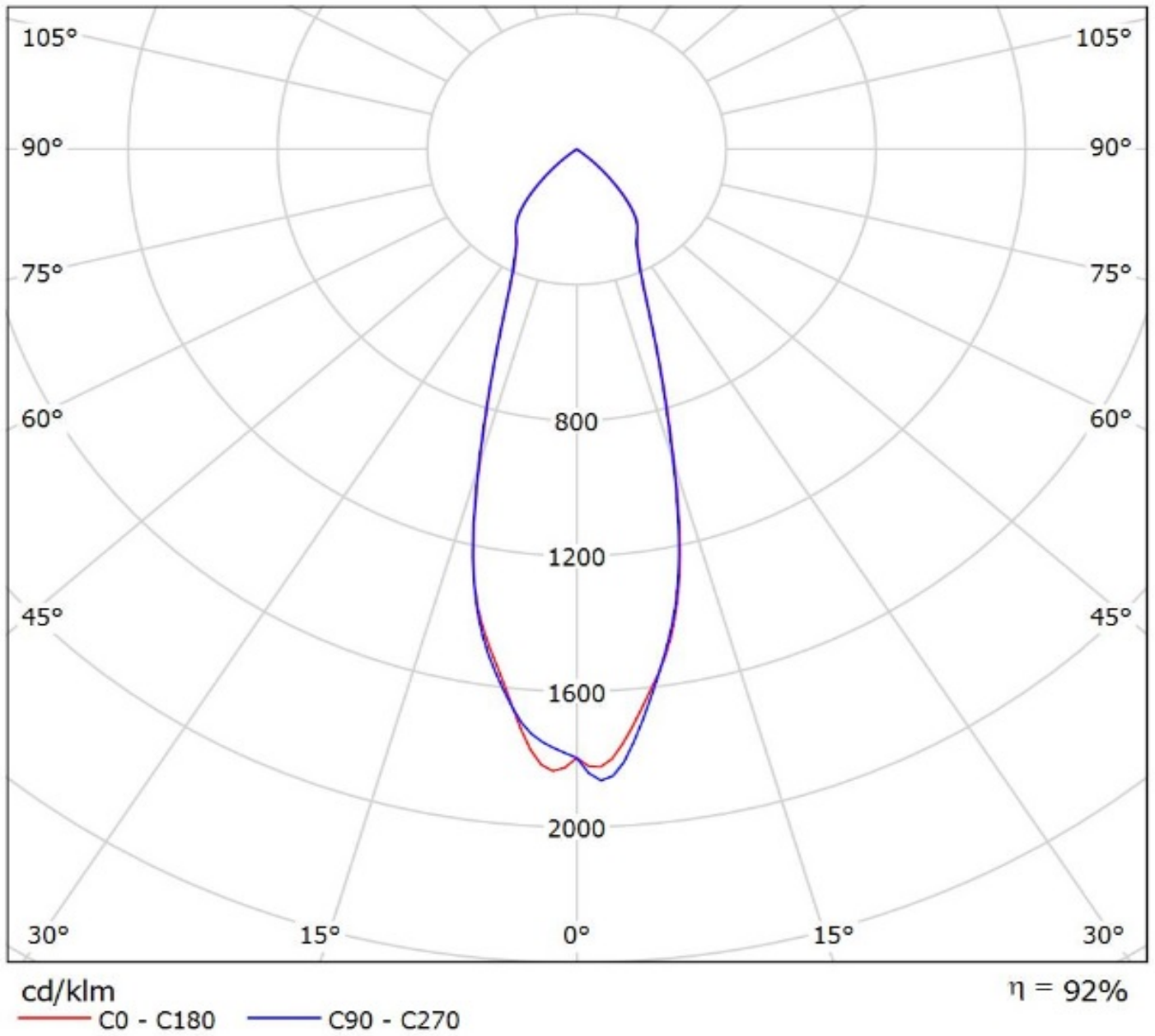
$\eta = 93\%$

Luminaire: Ledil F14739\_BROOKE-G2-M\_(MJT\_12W\_Les9,8)

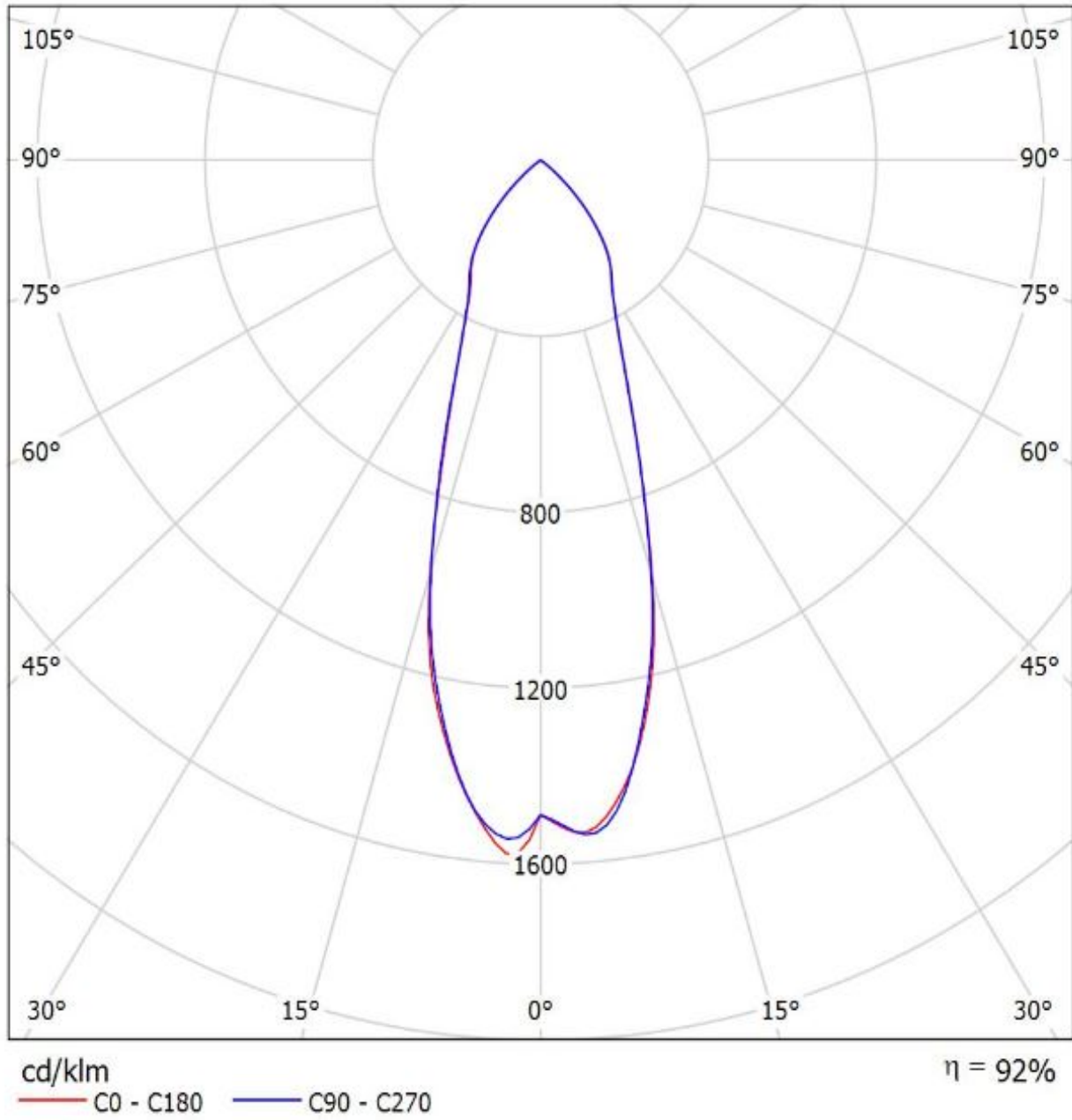
Lamps: 1 x Seoul\_MJT\_12W\_Les9.8mm\_(SAWx1063A)\_1269.11lm@250mA\_P=8.415W\_I=0.25A



Luminaire: Ledil Oy PRELIMINARY\_F14739\_BROOKE-G2-M+\_F15859\_HEKLA-SOCKET-I\_ (SLE\_G6\_LES15)\_SIMULATED  
Lamps: 1 x Tridonic SLE G6 LES15 + F15859\_HEKLA-SOCKET-I



Luminaire: Ledil Oy F14739\_BROOKE-G2-M+\_F15859\_HEKLA-SOCKET-I\_TRIDONIC\_SLE\_G6\_LES17\_SIMULATED  
Lamps: 1 x TRIDONIC SLE G6 LES17



**NOTE: The typical divergence will be changed by different color, chip size and chip position tolerance. The typical total divergence is the full angle measured where the luminous intensity is half of the peak value.**

### **GENERAL INFORMATION**

- Product series especially designed & optimized for series of LEDs.
- Special care taken to make light distribution as uniform as possible.

Note! Due to use of high power COB's with this product, special attention to proper thermal design is highly recommended. LEDiL has no liability for direct, indirect or consecutive damages arising from the LEDiL products being used outside of the recommended temperature range.