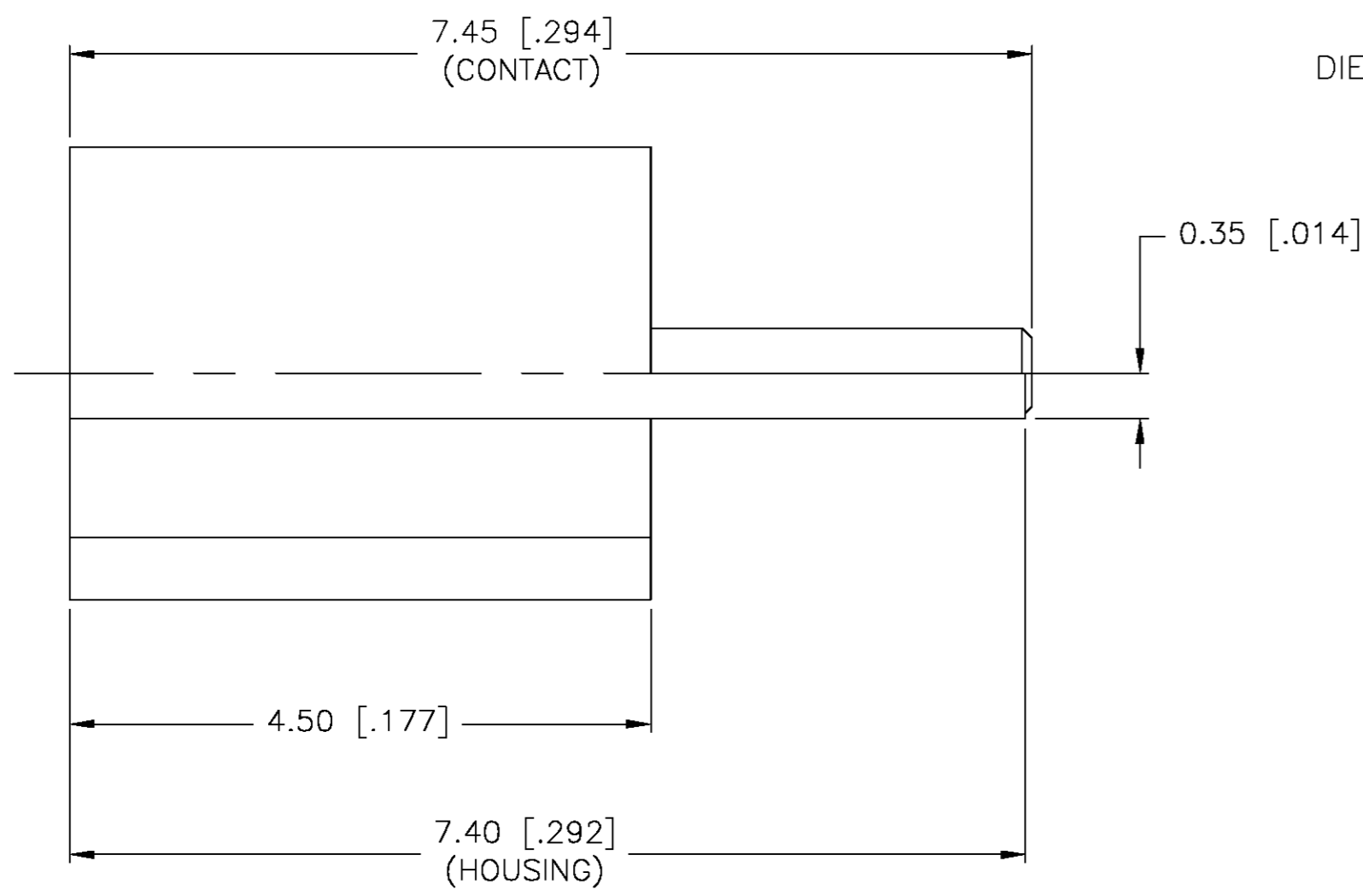


THIS DRAWING IS UNPUBLISHED. RELEASED FOR PUBLICATION
 © COPYRIGHT BY TYCO ELECTRONICS CORPORATION. ALL RIGHTS RESERVED.

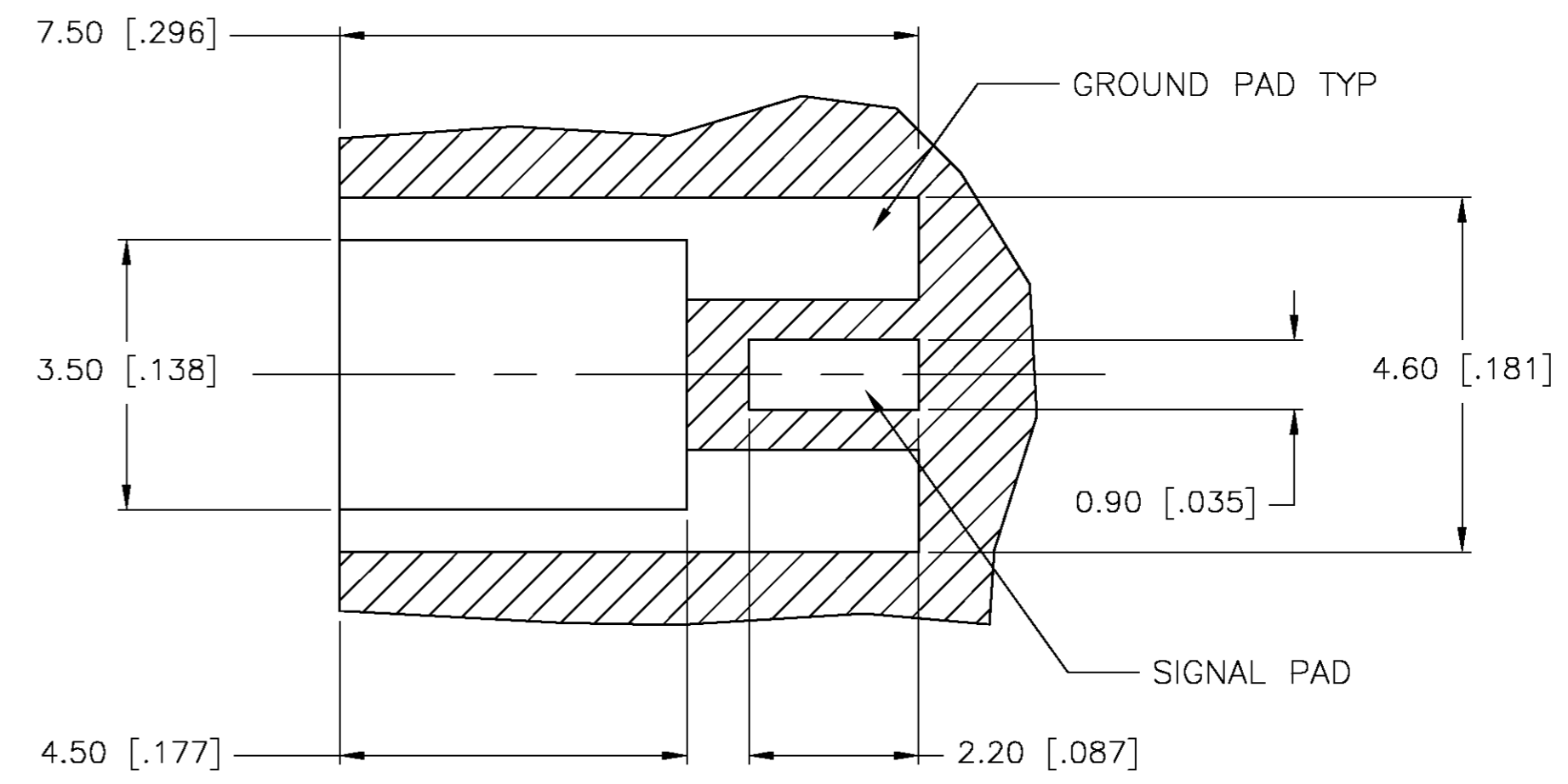
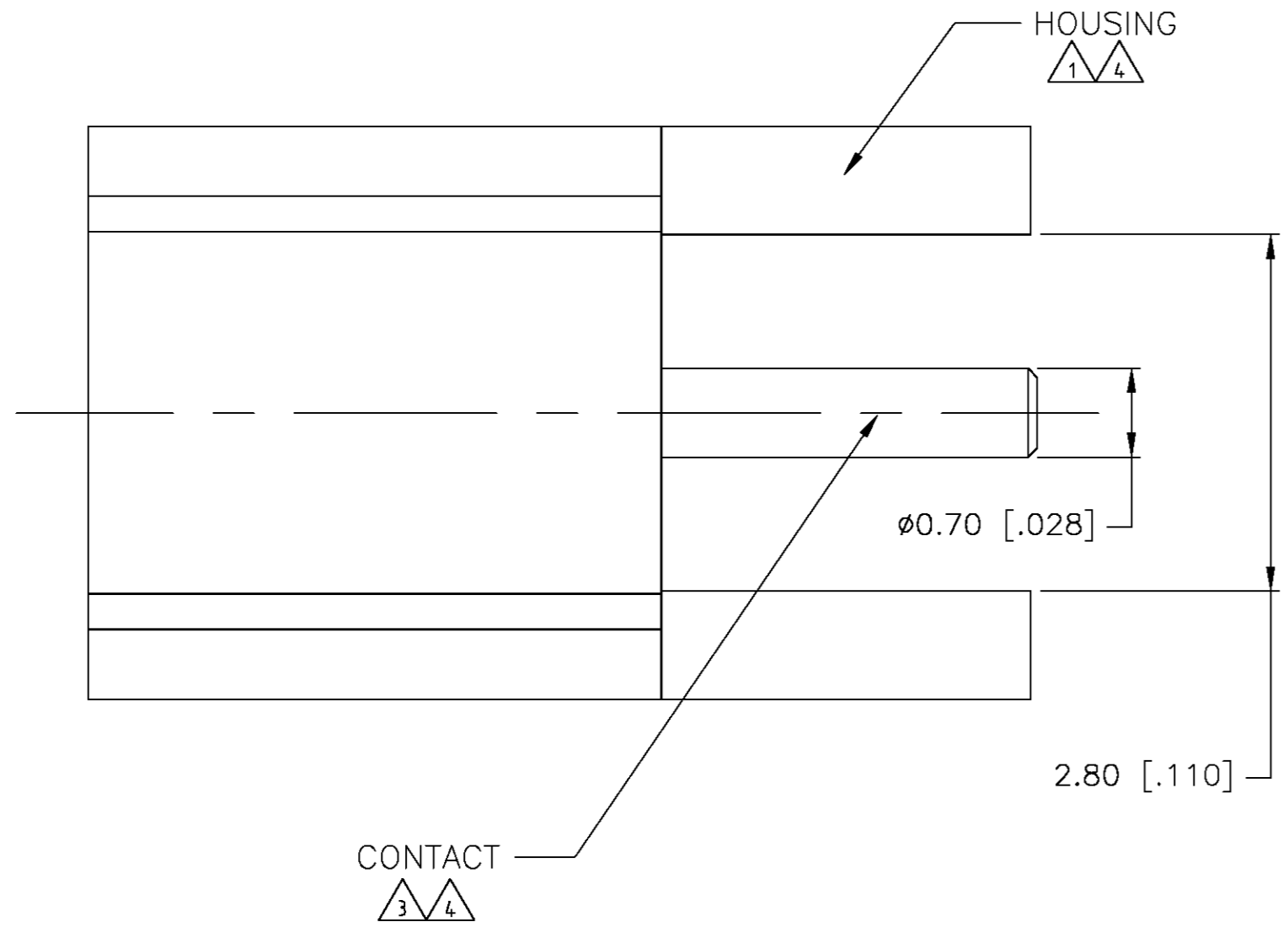
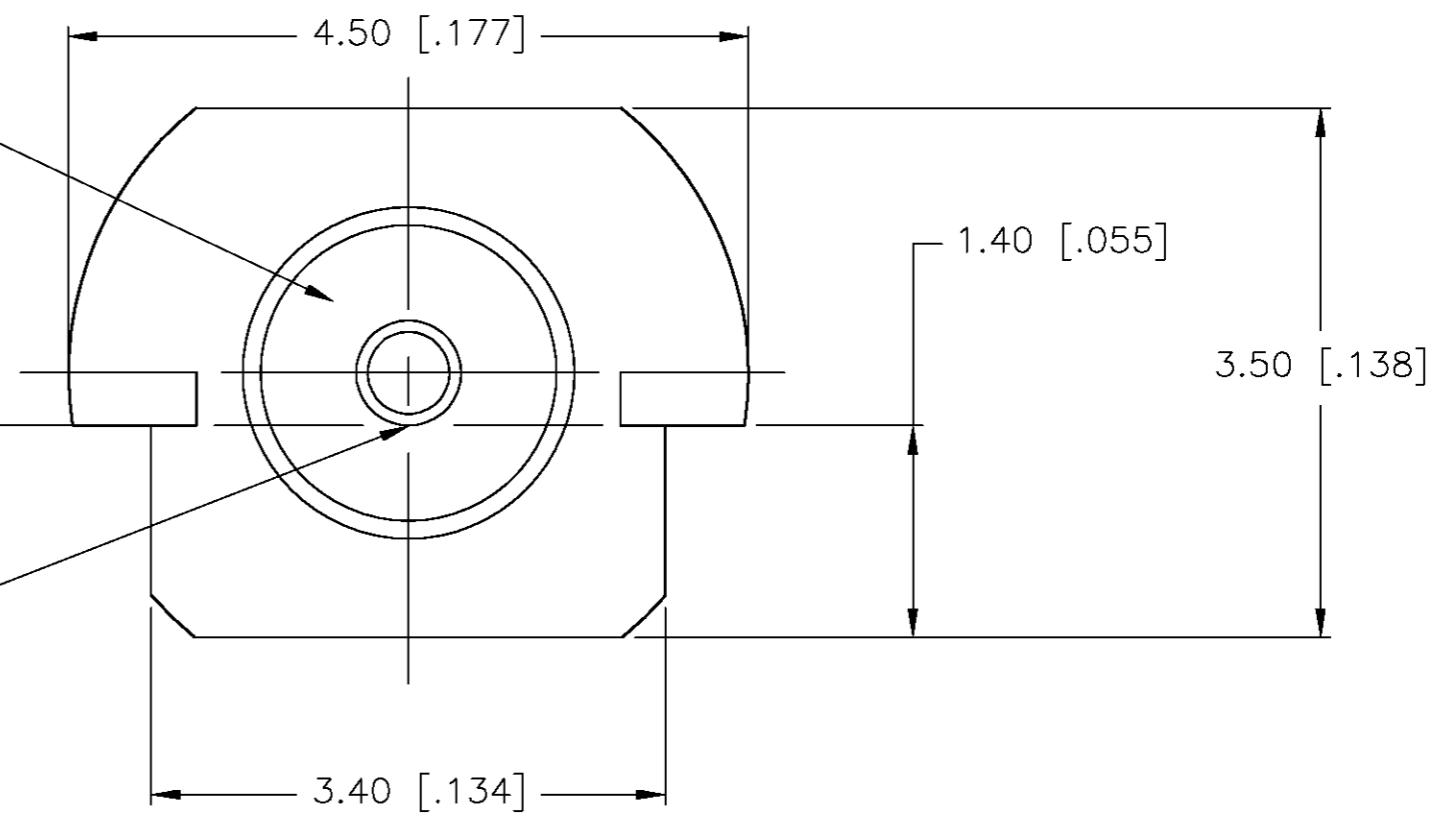
REVISIONS				DATE	DWN	APVD
P	LTR	DESCRIPTION				
E		REV PER 0514-0397-03	11SEP03	KW	KW	



DIELECTRIC
 2

-A-
 2 SURFACES

0.10 A
 TANGENT POINT OF CONTACT



SOLDER PAD CONFIGURATION ONLY
 (SCALE 12:1)

ON REEL (SEE SHEET 2)	1408152-2
STANDARD	1408152-1
PACKAGING	PART NUMBER

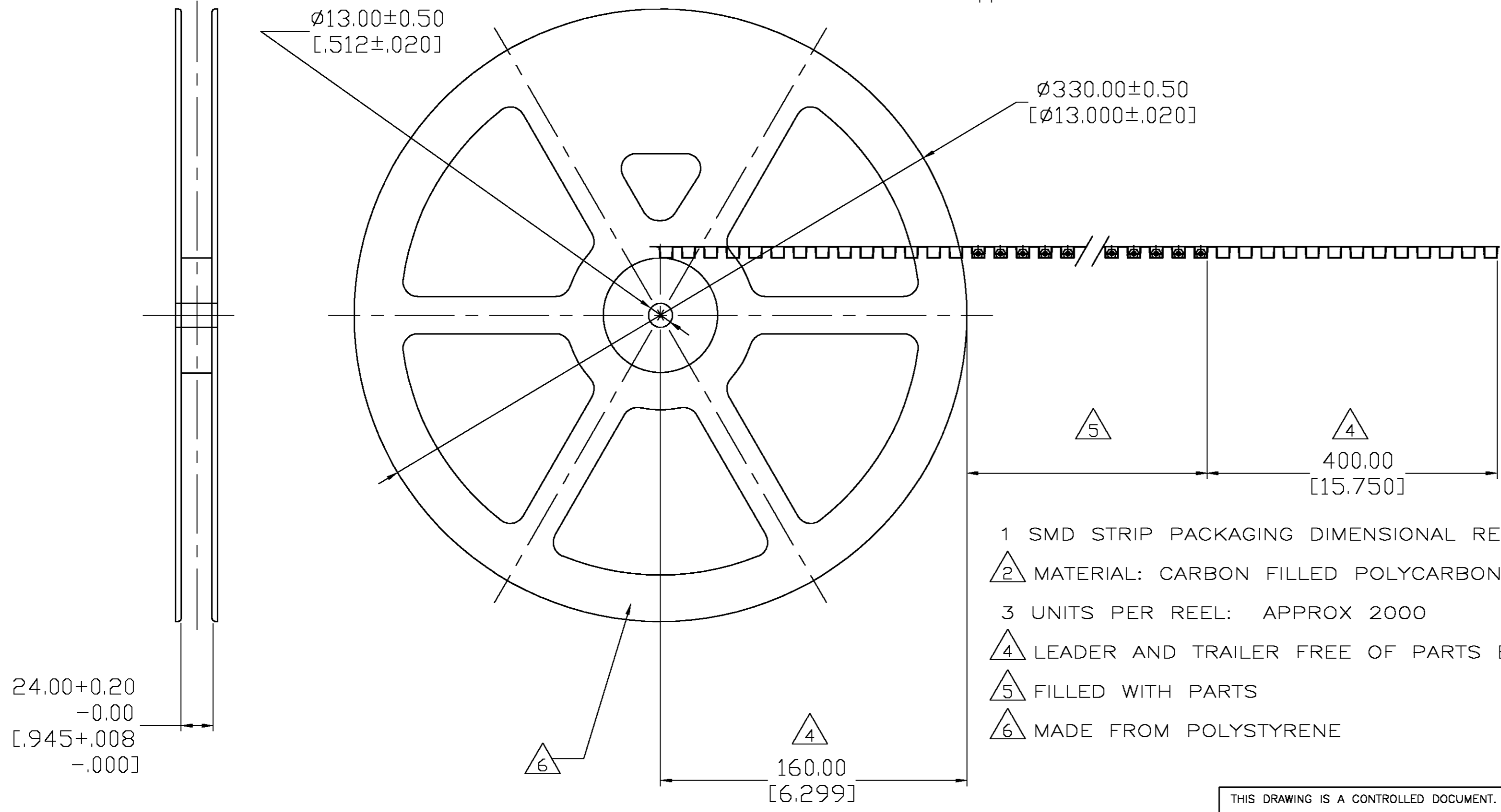
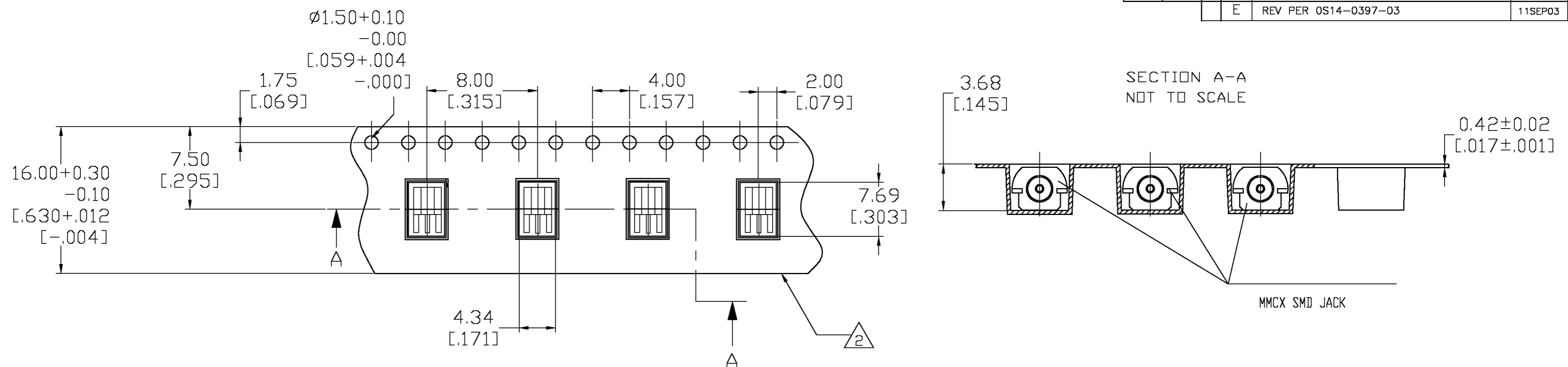
- 1 BRASS PER ASTM-B-16
- 2 PTFE PER ASTM-D-1710
- 3 BERYLLIUM COPPER PER ASTM-B-196
- 4 GOLD PLATE PER MIL-G-45204

THIS DRAWING IS A CONTROLLED DOCUMENT.		DWN	29NOV2001	Tyco Electronics Corporation Middletown, PA 17057	
DIMENSIONS: MM		CHK	28NOV01		
TOLERANCES UNLESS OTHERWISE SPECIFIED:		APVD	28NOV01		
0 PLC ± - 1 PLC ± - 2 PLC ± 0.15 [.006] 3 PLC ± - 4 PLC ± - ANGLES ± 1° FINISH -		NAME	1408152		
MATERIAL		PRODUCT SPEC	108-2084	SIZE	A2
		APPLICATION SPEC		CAGE CODE	00779
		WEIGHT	0.20g/.007oz	DRAWING NO	C=1408152
		CUSTOMER DRAWING		RESTRICTED TO	-
		SCALE	20:1	SHEET	1 OF 2
		REV	E		

1408152

THIS DRAWING IS UNPUBLISHED. RELEASED FOR PUBLICATION
 © COPYRIGHT BY TYCO ELECTRONICS CORPORATION. ALL RIGHTS RESERVED.

LOC		DIST		REVISIONS			
P	LTR	DESCRIPTION	DATE	DWN	APVD		
AJ	-						
E		REV PER 0514-0397-03	11SEP03	KW	KW		



- 1 SMD STRIP PACKAGING DIMENSIONAL REQUIREMENTS PER EIA 481-1, -2 AND -3
- 2 MATERIAL: CARBON FILLED POLYCARBONATE, ELECTROSTATIC PROTECTIVE
- 3 UNITS PER REEL: APPROX 2000
- 4 LEADER AND TRAILER FREE OF PARTS BUT SEALED WITH COVER TAPE
- 5 FILLED WITH PARTS
- 6 MADE FROM POLYSTYRENE

THIS DRAWING IS A CONTROLLED DOCUMENT.		DWN	24JUL02	 Tyco Electronics Corporation Middletown, PA 17057	NAME		RESTRICTED TO	
DIMENSIONS: MM		CHK	24JUL02		MMCX JACK, SMT EDGE LAUNCH			
TOLERANCES UNLESS OTHERWISE SPECIFIED:		APVD	24JUL02		SIZE	CAGE CODE		DRAWING NO
0 PLC ± -		PRODUCT SPEC			A2	00779		C=1408152
1 PLC ± -		APPLICATION SPEC		SCALE	SHEET	OF	REV	
2 PLC ± 0.10 [0.004]				CUSTOMER DRAWING	NTS	2	2	
3 PLC ± -							E	
4 PLC ± -								
ANGLES ± 5°								
FINISH								

1408152