



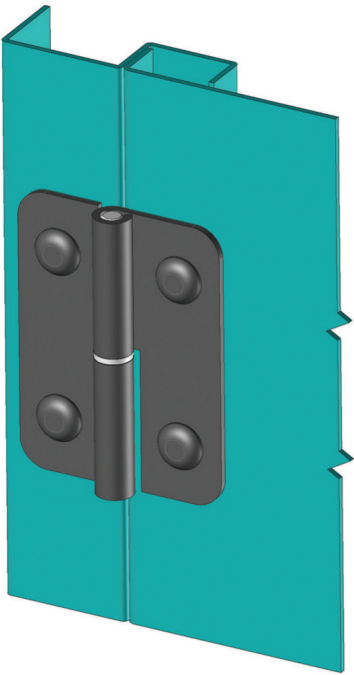
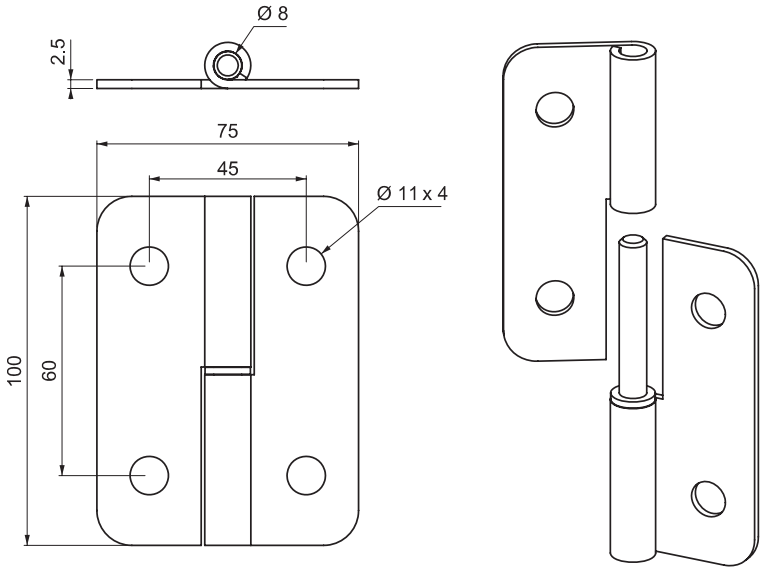
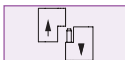
899

LEAF HINGE



RH

LH



- Stainless steel version: page 472
- Heavy-duty lift off hinge
- Suitable for left- and right-hand applications
- Opening angle 180°

APPLICATIONS

Generators, machinery covers, electric panels

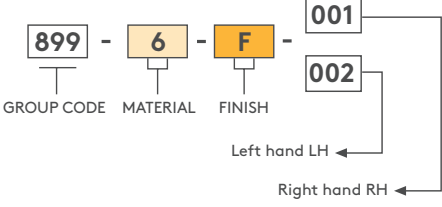
MATERIAL

BODY: Steel
PIN: Steel

FINISH

Zinc plated or black coated

PRODUCT CODE



MATERIAL	M	FINISH	F
Steel	6	Zinc plated	3
		Black coated	2

Hinge Rotation Angle

