



UE23-2MF2A4

UE23-2MF

SAFETY RELAYS

SICK
Sensor Intelligence.



Illustration may differ



Ordering information

Type	Part no.
UE23-2MF2A4	6026147

Other models and accessories → www.sick.com/UE23-2MF

Detailed technical data

Safety-related parameters

Safety integrity level	SILCL2 (EN 62061)
Category	Category 3 (EN ISO 13849)
Performance level	PL d (EN ISO 13849)
B_{10d} parameter	5.45 x 10 ⁴ switching cycles (AC-15, 230 V, I = 3 A) 1.26 x 10 ⁶ switching cycles (AC-15, 230 V, I = 1.5 A) 5.9 x 10 ⁶ switching cycles (AC-15, 230 V, I = 0.75 A) 4.35 x 10 ⁵ switching cycles (DC-13, 24 V, I = 2.5 A) 1 x 10 ⁷ switching cycles (DC-13, 24 V, I = 0.63 A)
PFH_D (mean probability of a dangerous failure per hour)	3.0 x 10 ⁻⁶ (EN ISO 13849)
T_M (mission time)	20 years (EN ISO 13849)
Stop category	0 (EN 60204-1)

Interfaces

Connection type	Fixed screw terminals
Number of enable current (N/O) contacts	2, relevant for safety

Electrical data

Operating data

Protection class	II, safe isolation (EN 50178)
Supply voltage V_s	A1, A2 115 V AC (98 V AC ... 132 V AC)
Power consumption	(≤ 3 VA)
Overvoltage category	III
Rated insulation voltage U_i	300 V AC
Rated impulse withstand voltage U_{imp}	6 kV

Test voltage	3.5 kV (50 Hz) (EN 60439-1)
Control voltage: Y1-Y2-Y3	
Control voltage	(≤ 40 V DC)
Control current	≤ 20 mA
Short-circuit current	≤ 250 mA
Short-circuit protection	PTC resistor
Reset time	
Manual	≤ 70 ms
Automatic	≤ 600 ms
Galvanized decoupling	✓

Electrical output circuits: 13/14, 23/24, 31/32

Response time	(≤ 80 ms) ¹⁾
Number of enable current (N/O) contacts	2, relevant for safety
Number of signalling current (N/C) contacts	1, not safety-relevant
Contact type	Positively driven
Contact material	Silver alloy, gold flashed
Switching voltage	
Enable current contact	10 V ... 230 V AC 10 V ... 300 V DC
Signalling current contact	10 V AC, 10 V DC ... 230 V AC, 300 V DC
Current-carrying capacity per OSSD	
Enable current contact	10 mA ... 6 A
Signalling current contact	10 mA ... 6 A
Total current	≤ 12 A
Usage category	AC-15/DC-13 (EN 60947-5-1)
Rated operating current (voltage)	4 A (230 V AC) 360 switching cycles/h 3 A (230 V AC) 3600 switching cycles/h 4 A (24 V DC) 360 switching cycles/h 2.5 A (24 V DC) 3600 switching cycles/h
Switching frequency	≤ 3600/h
Mechanical life (relay contacts)	1 x 10 ⁷ switching cycles
Electrical life (relay contacts)	2 x 10 ⁶ switching cycles

¹⁾ K1/K2.

Mechanical data

Dimensions (W x H x D)	22.5 mm x 123 mm x 93.5 mm
Weight	0.27 kg

Classifications

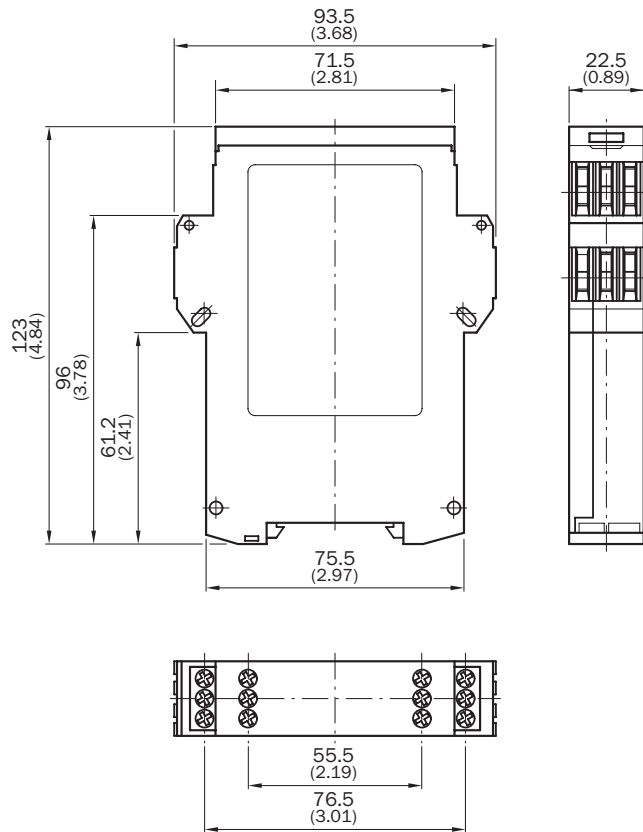
ECl@ss 5.0	27371990
ECl@ss 5.1.4	27371990
ECl@ss 6.0	27371819
ECl@ss 6.2	27371819
ECl@ss 7.0	27371819

UE23-2MF2A4 | UE23-2MF

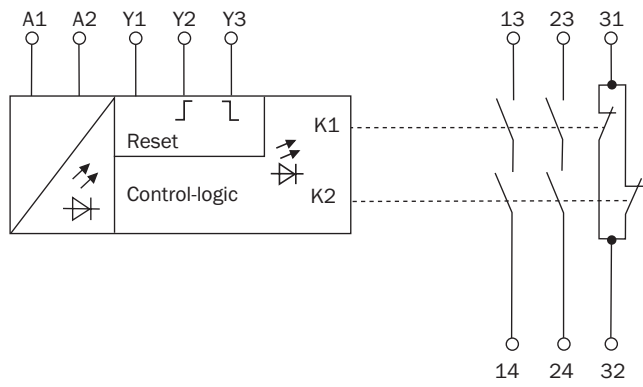
SAFETY RELAYS

ECl@ss 8.0	27371819
ECl@ss 8.1	27371819
ECl@ss 9.0	27371819
ETIM 5.0	EC001449
ETIM 6.0	EC001449
UNSPSC 16.0901	41113704

Dimensional drawing (Dimensions in mm (inch))



Connection diagram



SICK AT A GLANCE

SICK is one of the leading manufacturers of intelligent sensors and sensor solutions for industrial applications. A unique range of products and services creates the perfect basis for controlling processes securely and efficiently, protecting individuals from accidents and preventing damage to the environment.

We have extensive experience in a wide range of industries and understand their processes and requirements. With intelligent sensors, we can deliver exactly what our customers need. In application centers in Europe, Asia and North America, system solutions are tested and optimized in accordance with customer specifications. All this makes us a reliable supplier and development partner.

Comprehensive services complete our offering: SICK LifeTime Services provide support throughout the machine life cycle and ensure safety and productivity.

For us, that is “Sensor Intelligence.”

WORLDWIDE PRESENCE:

Contacts and other locations –www.sick.com