

□0,6 (50x)

(5:1)

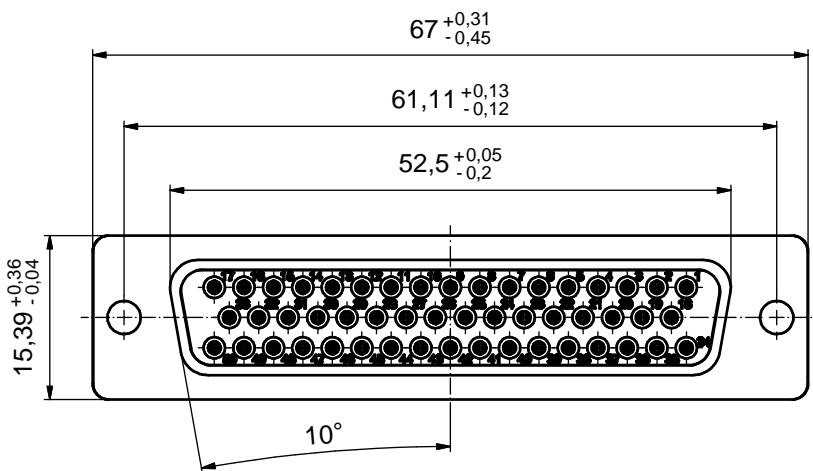
18 ± 0,3

5,55

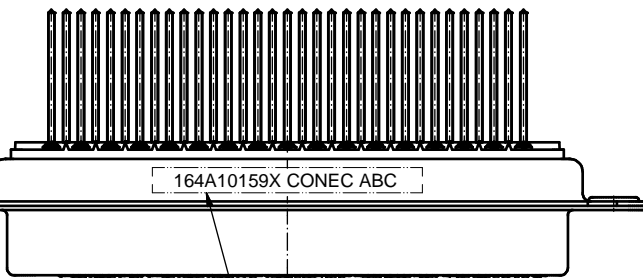
0,8

6,1 +0,2
-0,05

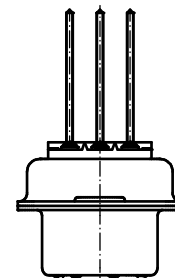
10,82 +0,05
-0,2



1,2 ± 0,2



SEE NOTE 5



NOTES:

1. METALSHELLS: STEEL; min. 315µm TIN over 40-80µm NICKEL
2. INSULATORS: PBT GF UL 94 V-0, BLACK
3. CONTACTS: COPPER ALLOY
PLATING: 8µm HARD GOLD over min. 50µm NICKEL
4. P.C.B. HOLE DRILLINGS ON SHEET 2
5. CONNECTOR IS PART MARKED: 164A10159X CONEC ABC

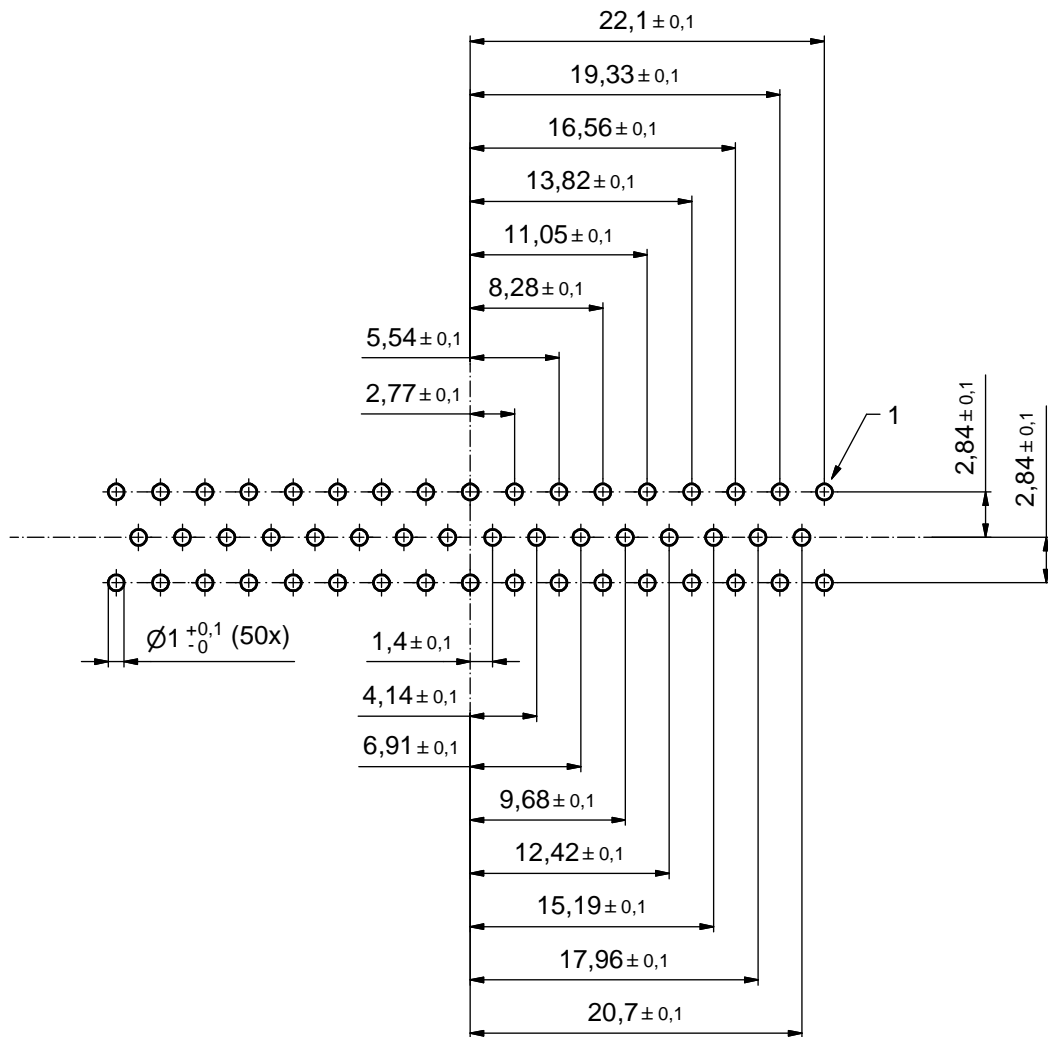
Directive 2002/95/EC
„RoHS“
Compliant

APPROVAL # FREIGABE # DEBLOCAGE # AUTORIZACION # APPROVAL	
CUSTOMER APPROVAL DATE:	
NAME:	TITLE:
COMPANY NAME:	
APPROVAL # FREIGABE # DEBLOCAGE # AUTORIZACION # APPROVAL	

THIS DRAWING MAY NOT BE COPIED OR REPRODUCED IN ANY WAY, AND MAY NOT BE PASSED ON TO A THIRD PARTY WITHOUT WRITTEN PERMISSION. OWNERSHIP AND COPYRIGHT OF CONEC GmbH			
DO NOT ALTER CAD DRAWING BY HAND			
a	Origin		
rev.	description	date	name

tolerance		dim. in mm
date	name	
drawn	30.07.2009	Sonnenberg
appd.	30.07.2009	Koch
norm		
d-old		

scale: 2:1 (5:1)	
material: SEE NOTES	
title: D-SUB FEMALE 50pos. WIRE WRAP	
dwg no: Inventor 10	DIN-A3
16K1A2519	
part no: 164A10159X	sh: 1



P.C.B. TOP SIDE

APPROVAL # FREIGABE # DEBLOCAGE # AUTORIZACION # APPROVAL	
CUSTOMER APPROVAL DATE:	
NAME:	TITLE:
COMPANY NAME:	
APPROVAL # FREIGABE # DEBLOCAGE # AUTORIZACION # APPROVAL	

THIS DRAWING MAY NOT BE COPIED OR REPRODUCED IN ANY WAY, AND MAY NOT BE PASSED ON TO A THIRD PARTY WITHOUT WRITTEN PERMISSION.
OWNERSHIP AND COPYRIGHT OF CONEC GmbH

DO NOT ALTER CAD DRAWING BY HAND

rev.	description	date	name
a	Origin		

tolerance		dim. in mm	
drawn	30.07.2009	name	Sonnenberg
appd.	30.07.2009	name	Koch
norm			
d-old			



scale:	3:1	
material:	SEE SHEET 1	
title:	P.C.B. HOLE DRILLINGS D-SUB FEMALE 50pos. WIRE WRAP	
dwg no:	Inventor 10	DIN-A3
	16K1A2519	sh: 2
part no:	SEE SHEET 1	