

**Materials**

1. Contact: zinc, 1-1.5 µm nickel plated
2. Shell: stainless steel, 1-2 µm nickel plated
3. Insulator: POM, black
4. Insulation paper: micarex, natural color
5. Screw: stainless steel

**Ratings**

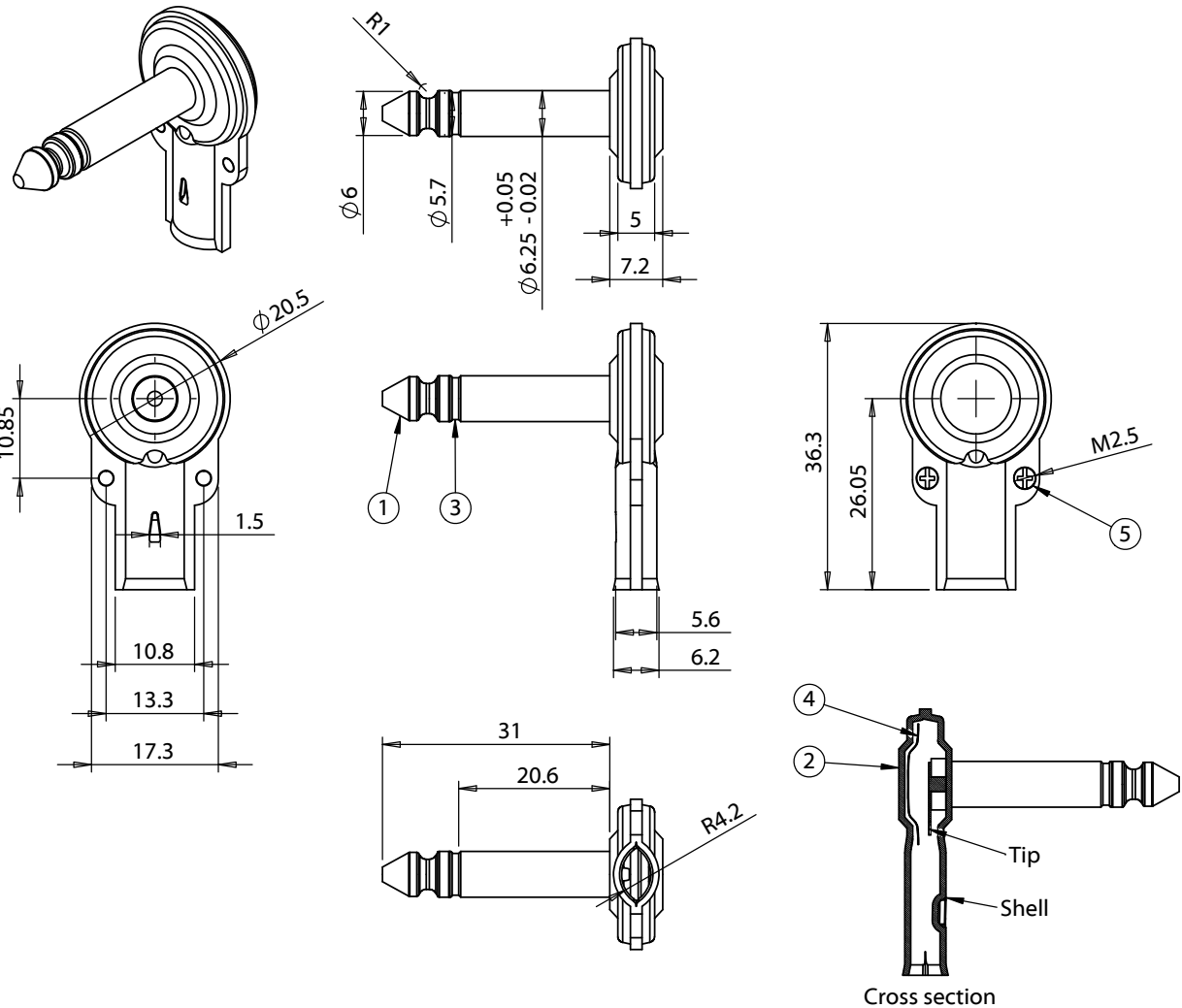
Operating temperature: -30°C ~60°C  
 Current rating: 10 A @ 250 Vac, 10 A @ 500 Vdc

**Electrical requirements**

Withstand voltage: 500 - 2000 Vac, 800 Vdc  
 Insulation resistance: ≥ 100 MΩ  
 Contact resistance: ≤ 20 mΩ

**Mechanical requirements**

Insertion force: 1.0 - 2.0 kgf  
 Withdrawal force: 1.0 - 2.0 kgf



REVISION	DATE	DESCRIPTION
A	3/12/14	Initial release

PREPARED:

VERIFIED:

DIMENSIONS ARE IN MILLIMETERS

TOLERANCES:  
 X: ± 0.5 mm  
 X.X: ± 0.3 mm  
 X.XX: ± 0.05 mm

NOTES

RoHS compliant

Function test: no open, no short circuit, no INT

Tip and ring solder contact orientation may vary. This doesn't affect the function or performance of the connector.

DESCRIPTION:  
 Connector, mono plug, 6.3 mm, right angle, shielded handle, assembly type

**TENSILITY**

20802 Sockeye Place #130  
 Bend, OR 97701 USA  
 tel 541.323.3228 fax 541.323.4202  
 800 877.670.7118 www.tensility.com

SIZE	<b>PART NUMBER</b>
A	<b>50-00423</b>
SCALE: 1:1	WEIGHT:
SHEET 1 OF 1	