

## DETAILS

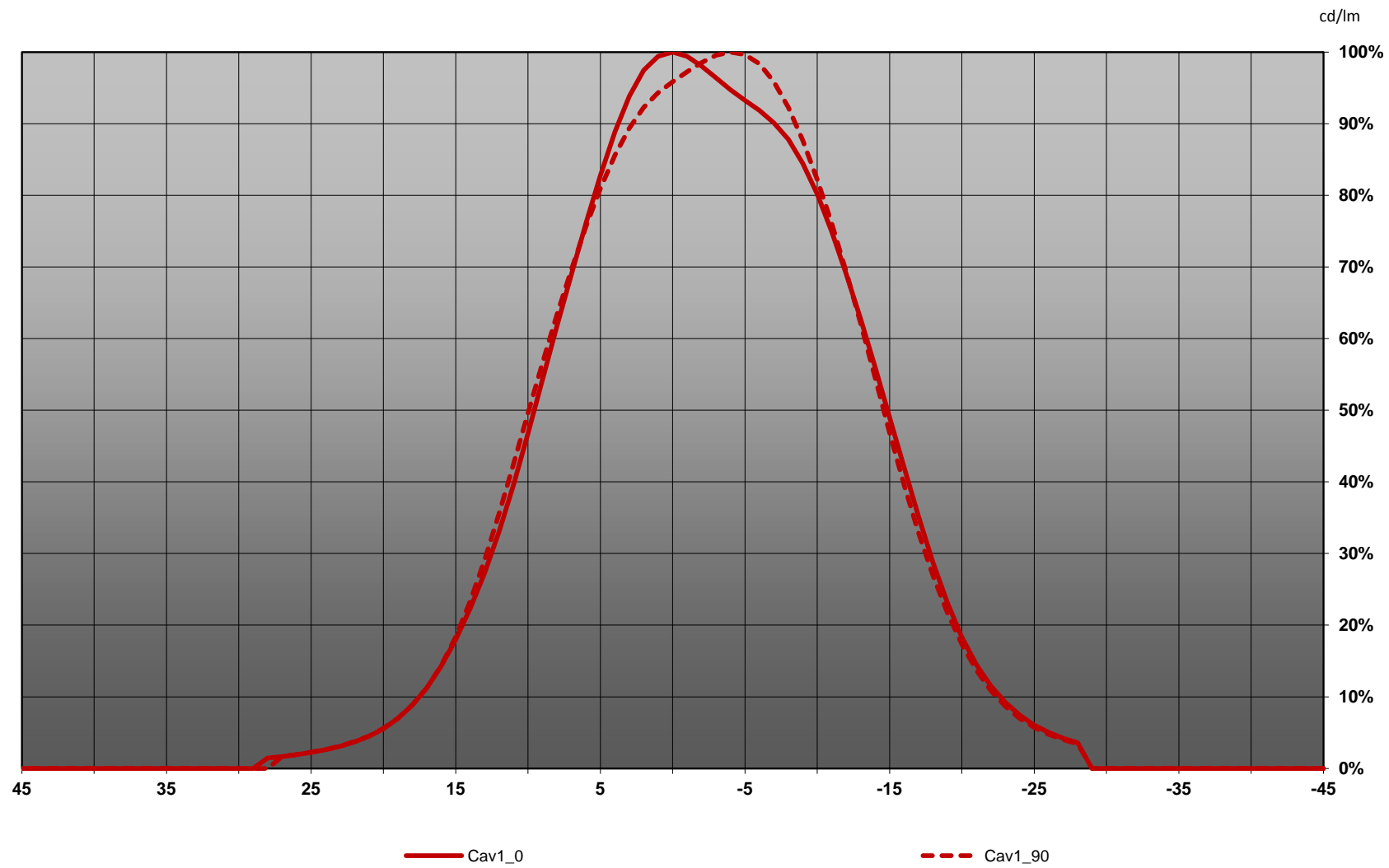
<b>Product Number</b>	CA12893_HEIDI-WR
<b>Family</b>	Heidi
<b>Type</b>	Assembly
<b>Color</b>	clear
<b>Diameter</b>	21,6 mm
<b>Height</b>	11,7 mm
<b>Style</b>	round
<b>Optic Material</b>	PMMA
<b>Holder Material</b>	
<b>Fastening</b>	tape, pin
<b>Status</b>	production ready
<b>ROHS Compliant</b>	Yes
<b>Date Updated</b>	8/06/2016



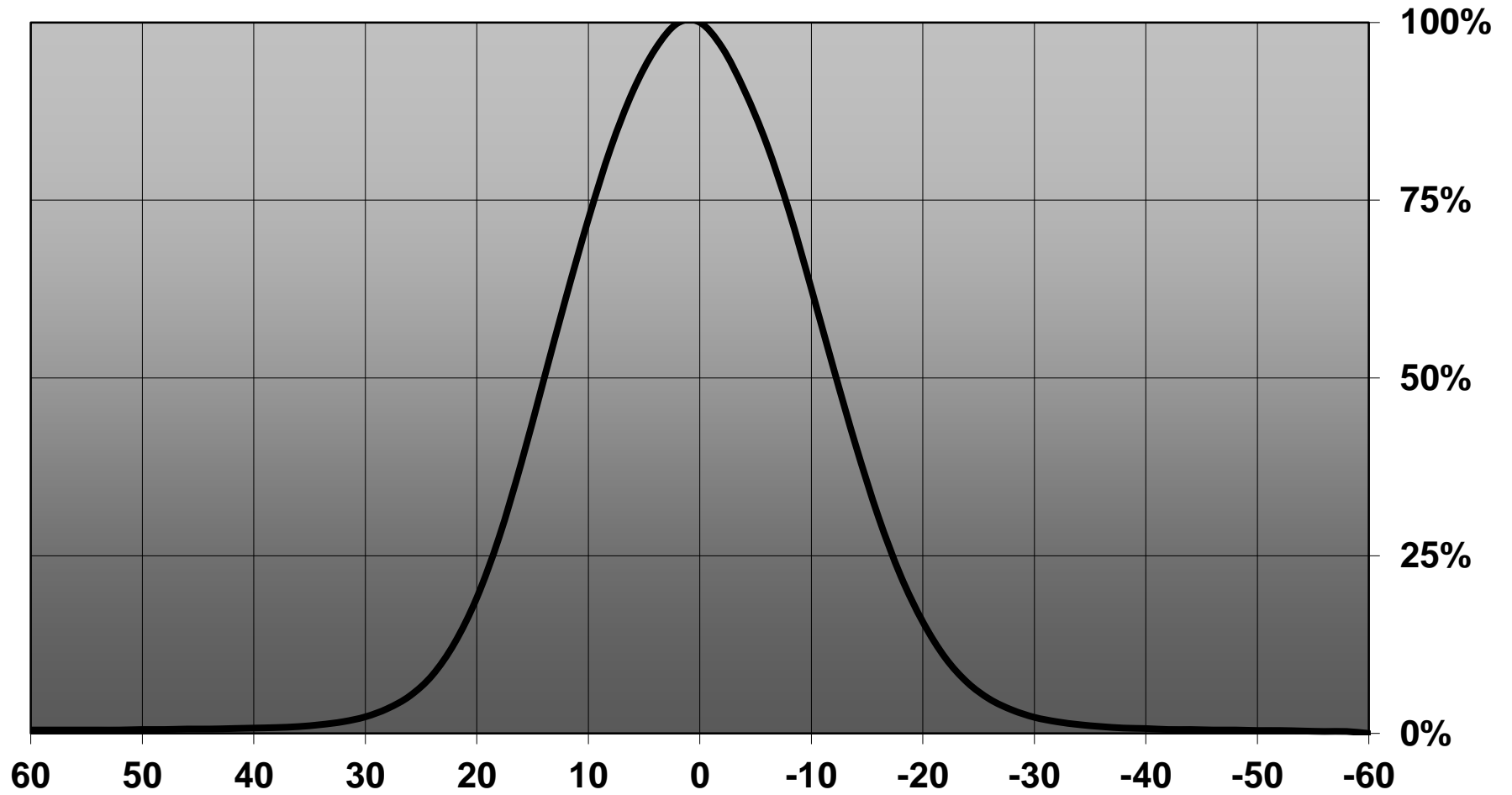
## OPTICAL PROPERTIES

LED	Viewing	Light	Effi-		Connector
	Angle	Beam	ciency	cd/lm	
XP-G	31 deg	Wide	-	-	-
LUXEON Z ES	24 deg	Wide	93 %	4.900	-
NVSxx19B/NVSxx19C	26 deg	Wide	87 %	4.100	-
Oslon Black Flat	sim: 22	Wide	sim: 94 %	sim: 6.900	-
Oslon Black	sim: 20	Wide	sim: 95 %	sim: 6.600	-

# Relative intensity of CA12893\_HEIDI-WR\_(Luxeon\_Z-ES)



# Relative intensity of CA12893\_HEIDI-WR\_(NVSxx19B)



D

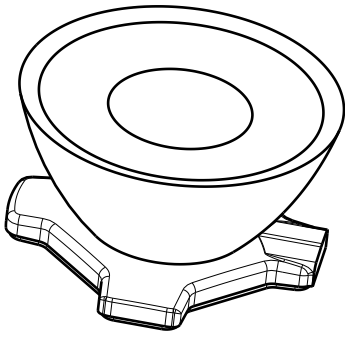
C

B

A

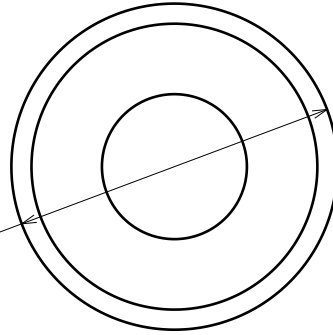
4

4



Isometric view

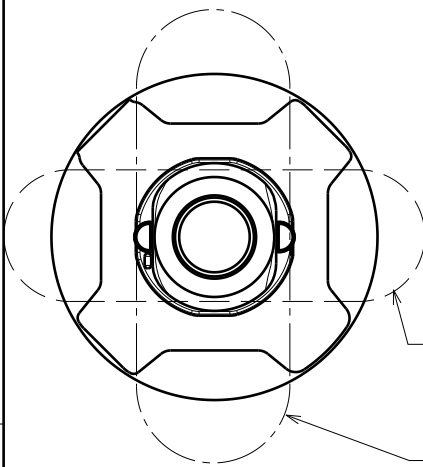
Ø 21.6



Top view

3

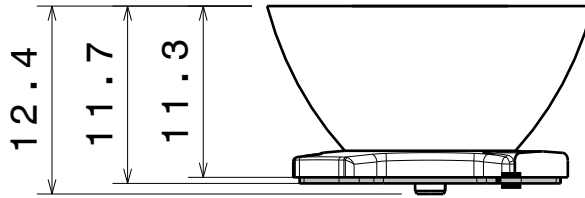
3



Bottom view  
OVAL BEAM direction

Heidi-0

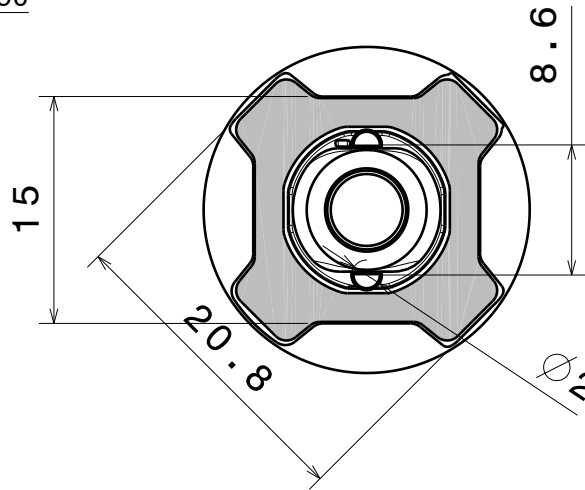
Heidi-0-90



Front view

2

2



8.6 Between pin midpoints

Bottom view

Material:  
Lens PMMA  
Tape PU Foam

This drawing is our property.  
It can't be reproduced  
or communicated without  
our written agreement.



Ledil Oy  
Salorankatu 10  
FIN-24100 SALO  
Finland

DRAWING TITLE

Datasheet Heidi-Series Assy

DRAWN BY  
ah

DATE  
1.2.2012

CHECKED BY

DATE

SIZE  
A4

DRAWING NUMBER

REV  
2

DESIGNED BY

DATE

SCALE 2:1 WEIGHT (g)

SHEET 1/1

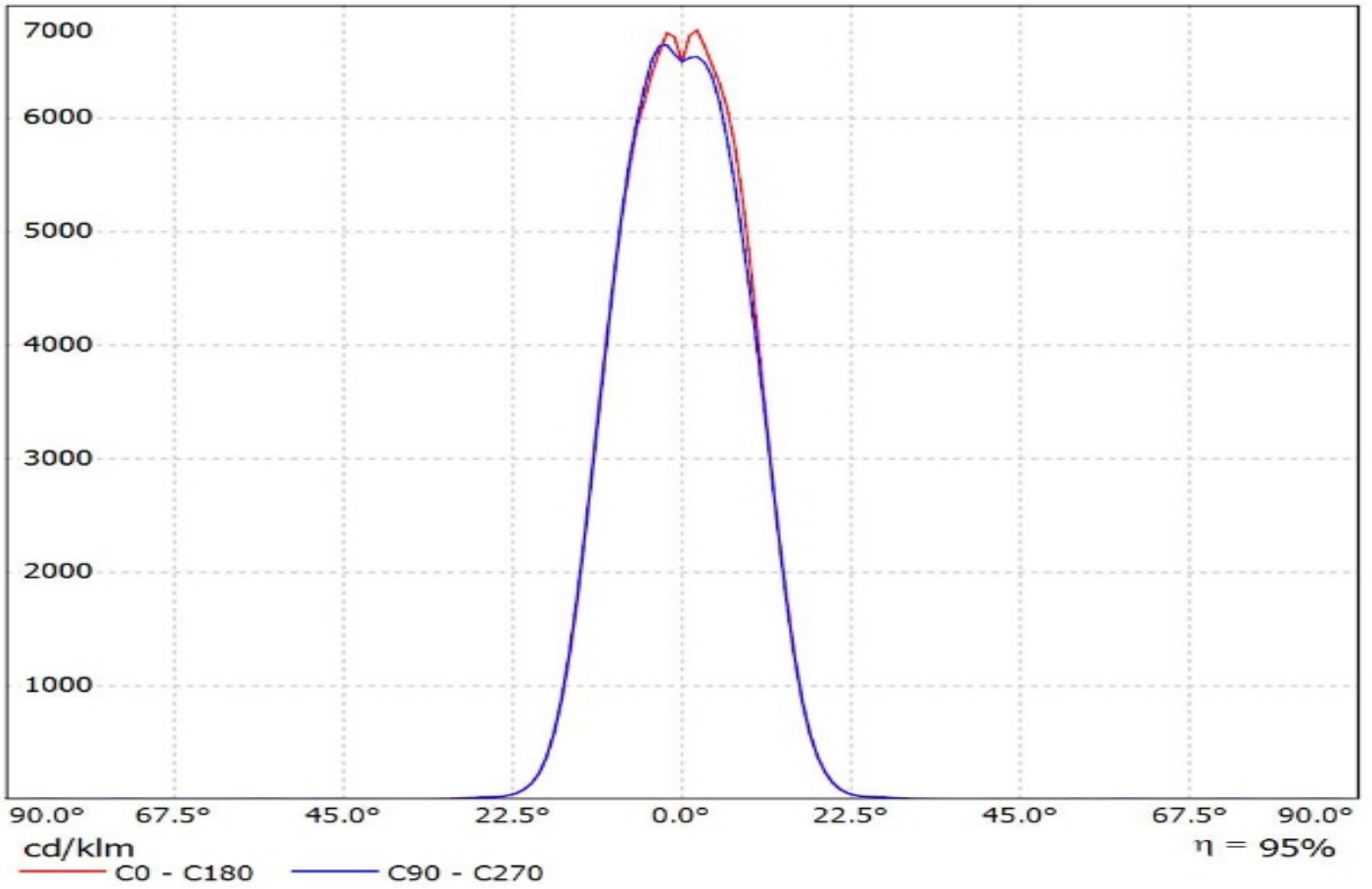
D

A

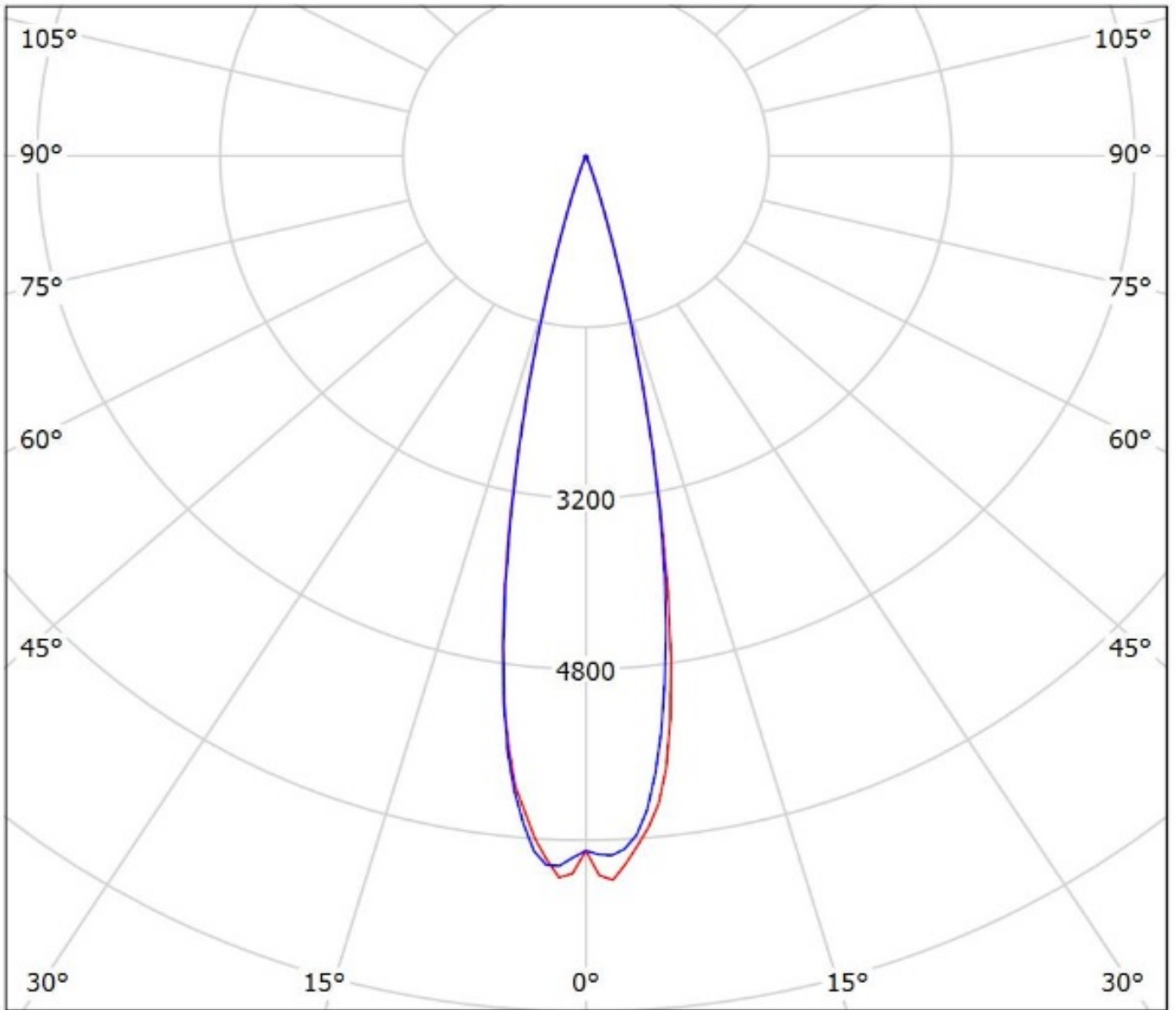
1

1

Luminaire: Ledil Oy CA12893\_HEIDI-WR\_(Oslon\_Black\_Flat)\_SIMULATED  
Lamps: 1 x Osram Oslon Black Flat (LUV HWQP)



Luminaire: Ledil Oy CA12893\_HEIDI-WR\_(Oslon\_Black\_Flat)\_SIMULATED  
Lamps: 1 x Osram Oslon Black Flat (LUV HWQP)



cd/klm

— C0 - C180 — C90 - C270

$\eta = 95\%$

**NOTE: The typical divergence will be changed by different color, chip size and chip position tolerance. The typical total divergence is the full angle measured where the luminous intensity is half of the peak value.**