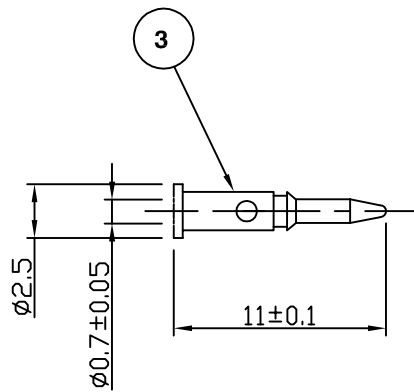
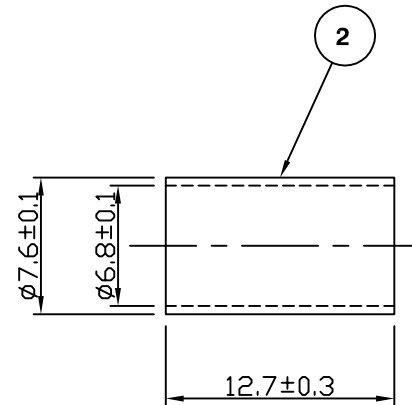
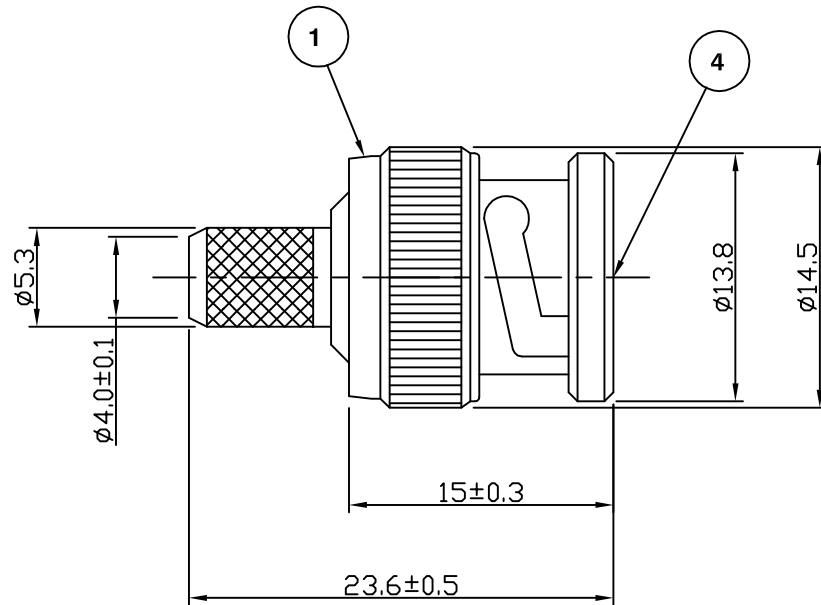


RoHS COMPLIANT



For stripping and assembly instructions see Drawing Number: VAIB1101

Electrical Characteristics

Nominal Impedance:	75 ohms
Frequency Range:	DC to 1 GHz
VSWR:	1.3:1 maximum
Insertion Loss:	0.1 dB at 1 GHz
Operating Voltage (rms):	500 V maximum at sea level
Dielectric Withstand Voltage (rms):	1500 V maximum at sea level
Contact Resistance:	1.5 milliohms maximum
Insulation Resistance:	5000 megohms minimum

Mechanical Characteristics

Mating Cycles:	500 cycles minimum
Interface Dimensions:	Conform to MIL-C-39012

Environmental Characteristics

Temperature Range:	-55 °C to +85 °C
--------------------	------------------

	PART	DESCRIPTION
1	Body	Brass, nickel plated 2.54 μm
2	Ferrule	Brass, nickel plated 2.54 μm
3	Contact	Brass, gold plated 0.076 μm - 0.127 μm
4	Dielectric	POM

Measurement update	KA	6	13 Aug 07
CAD Issue	SN	5	18 Jan 02
Dimensional changes	RS	4	13 Sept 99
Up issue	CBB	3	02 Aug 99
Change pin length from 11.5 to 11.8	BB	2	16 Oct 97
First Issue	AT	1	04 April 96
DESCRIPTION OF REVISION	APPVD	ISS	DATE



Cinch Connectivity Solutions
 7-13 Russell Way,
 Widford Industrial Estate,
 Chelmsford, Essex,
 CM1 3AA, UK.
 Tel: +44 (0) 1245 359515
 Fax: +44 (0) 1245 358938

SCALE: Not To Scale

DIMENSIONS: mm

TOLERANCES:
 ± 0.2mm unless
 otherwise stated

DRAWN BY:	S Nash
CHECKED BY:	S Nash
APPROVED BY:	M Nielsen
DATE:	18 Jan 02

TITLE:
BNC Crimp Plug for PSF1/3M

PART NUMBER:
VB10-2037M

PAGE: 1 of 1