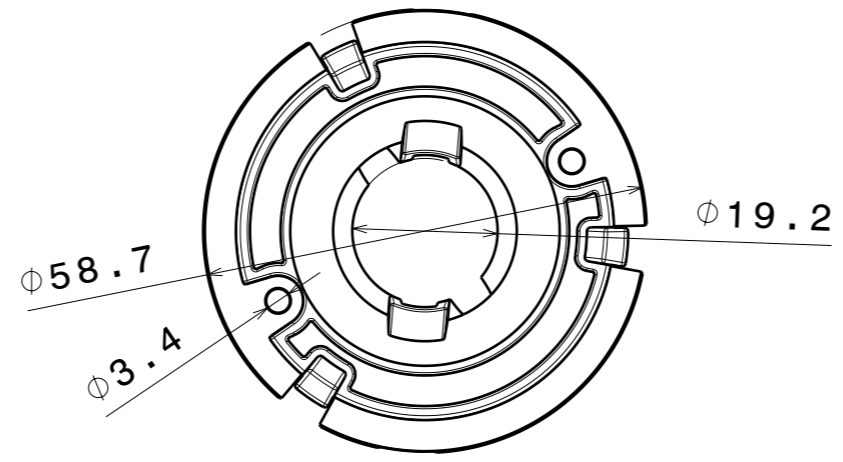
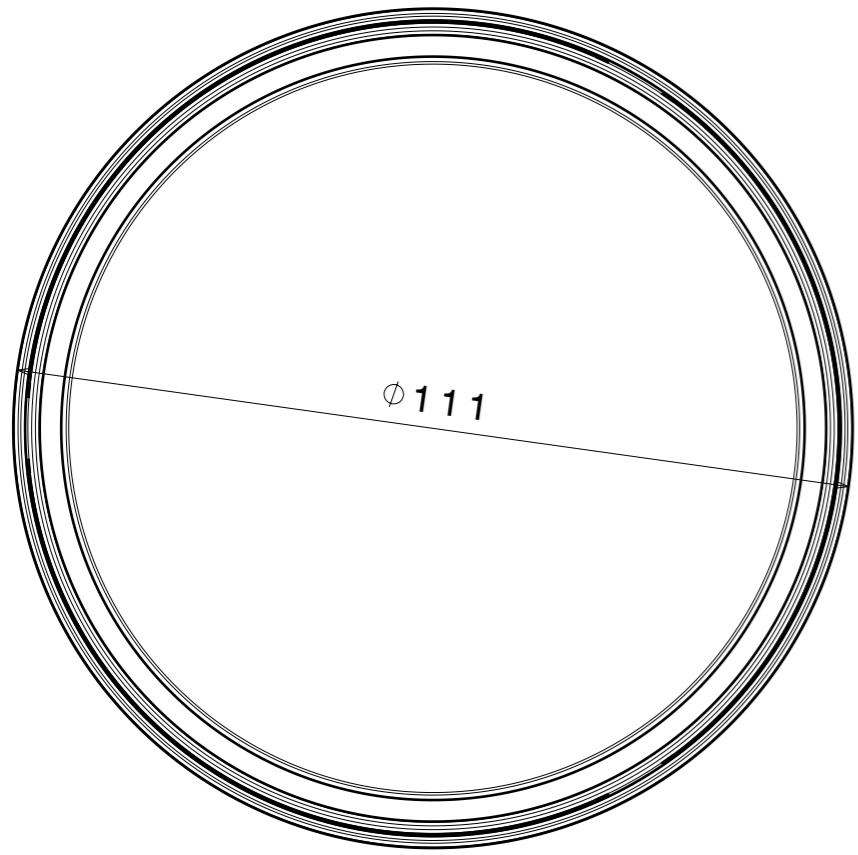


Isometric view



- Material:
- subLens
 - PC
 - Reflector
 - PC
 - Metal coating and clear lacquer
 - Holder base
 - PC
 - Color white

Base part designed for
Philips Lumileds LUXEON K, 12up and 16up versions

This drawing is our property. It can't be reproduced or communicated without our written agreement.		 Ledil Oy Salorankatu 10 FIN 24240 SALO Finland	
DRAWN BY as		DATE 3.8.2012	
CHECKED BY vs		DATE 3.8.2012	
DESIGNED BY p1		DATE -	
DRAWING TITLE LENA-LUXEON-K Mechanical drawing		Part Drawing	
SIZE A3	PART NUMBER	REV 001	
SCALE 1:1	WEIGHT	SHEET 1/1	