

REVISION HISTORY			
REV	DESCRIPTION	DATE	APPROVED
A	DCN 38106	03/11	PJS
B	DCN 41987	12/15	STW

PRODUCT DATA DRAWING

MATERIAL:

BODY,
PRESS CAP &
COUPLING NUT:

STAINLESS STEEL PER ASTM A582 OR
AMS-5640, ALLOY UNS S30300

LOCK RING:

BERYLLIUM COPPER PER ASTM B196,
ALLOY UNS C17300 OR ASTM B194,
ALLOY UNS C17200

CONTACT &
CRIMP RING:

BRASS PER ASTM B16, ALLOY UNS C36000

INSULATOR:

PTFE PER ASTM D1710, TYPE I, GRADE 1, CLASS B

GASKET:

SILICONE RUBBER PER A-A-59588,
CLASS 2B, GRADE 50/60

SHRINK TUBING:

SCL POLYOLEFIN PER MIL-I-23053/4, CLASS I

FINISH:

BODY, PRESS CAP &
COUPLING NUT:

PASSIVATED PER AMS-2700

CONTACT:

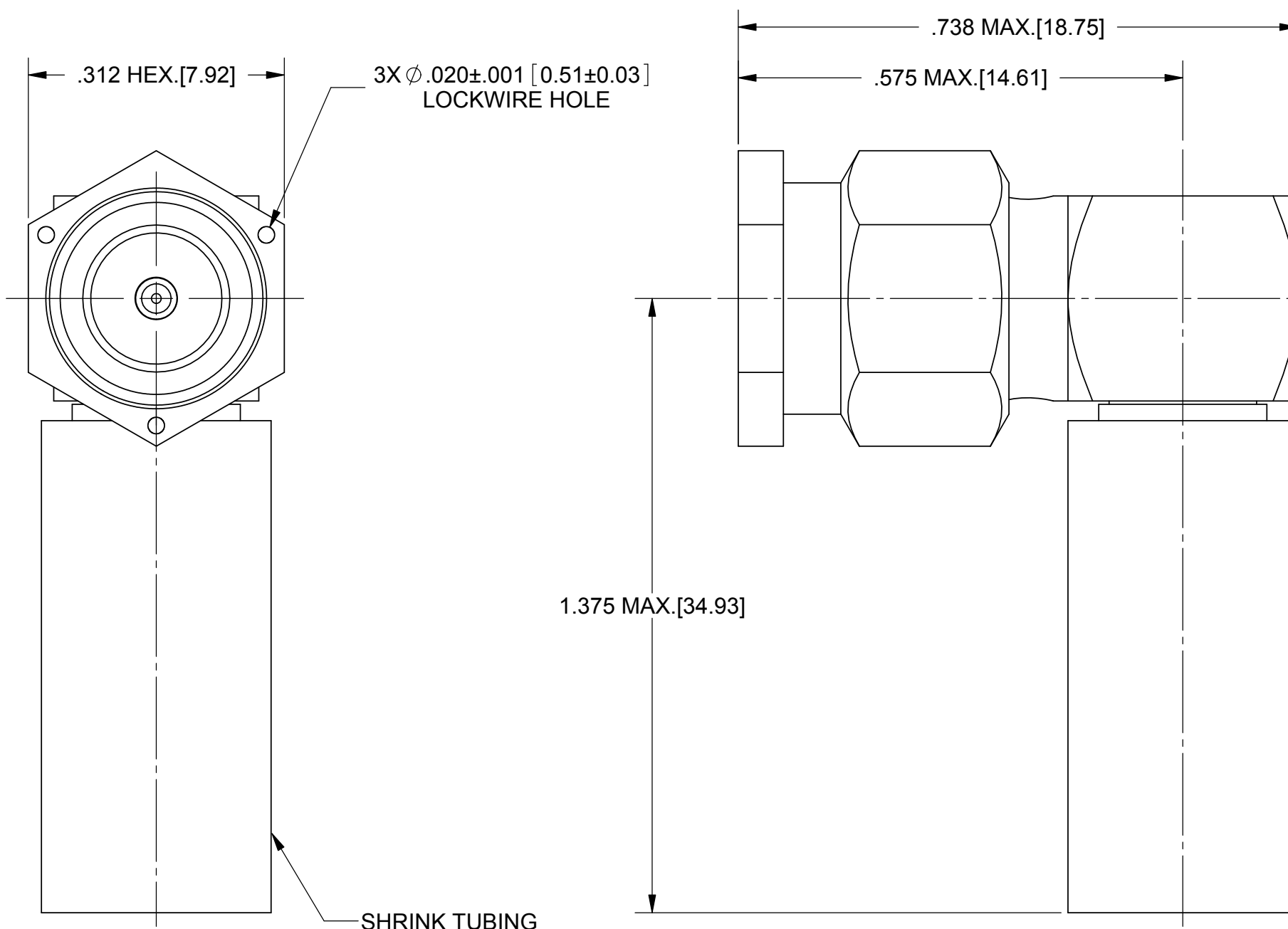
GOLD PER ASTM B488, TYPE II,
CODE C, CLASS 1.27; OVER NICKEL
PER AMS-QQ-N-290, CLASS 1, .00005" MIN.

CRIMP RING:

NICKEL PER QQ-N-290, CLASS 2, .00005" MIN.

PERFORMANCE:

IMPEDANCE: 50 OHMS
 FREQ. RANGE: DC TO 12.4 GHZ
 VSWR: 1.15 + .02 F (F IN GHZ)
 INSERTION LOSS: .15 X SQRT(F(F IN GHZ))
 DWV: 1000 VRMS
 OPERATING TEMP.: -65°C TO +165°C



MATERIAL: SEE NOTES	DIMENSIONS ARE IN INCHES TOLERANCES: FRACTIONAL: ±1/64 ANGULAR: X° ±1'0" X°X' ±15'	UNLESS OTHERWISE SPECIFIED 1) ALL DIMENSIONS ARE IN INCHES (MILLIMETERS) 2) ALL DIMENSIONS ARE AFTER PLATING. 3) BREAK CORNERS & EDGES .005 R. MAX. 4) CHAM. 1ST & LAST THREADS. 5) SURFACE ROUGHNESS 63-MIL-STD-10. 6) DIA.'S ON COMMON CENTERS TO BE CONCENTRIC WITHIN .005 T.I.R. 7) REMOVE ALL BURRS	SV Microwave, Inc. 2400 Centrepark West Drive, Suite 100 West Palm Beach, FL 33409
FINISH: SEE NOTES	DECIMAL: X ±.030 .XX ±.010 .XXX ±.005	INTERPRET DIMENSIONS AND TOLERANCES PER ASME Y14.5M - 1994	TITLE: SMA PLUG R/A CRIMP ATTACHMENT FOR RG-142, 400, 223 CABLE
SURFACE AREA: N/A	THIRD ANGLE PROJECTION	DRAWN: PJS 03/20/11	SIZE: B CAGE CODE: 95077 DWG. NO.: M39012/56-3028
PROPRIETARY THE INFORMATION CONTAINED IN THIS DRAWING IS THE SOLE PROPERTY OF SV MICROWAVE, INC. ANY REPRODUCTION IN PART OR AS A WHOLE WITHOUT THE WRITTEN PERMISSION OF SV MICROWAVE, INC IS PROHIBITED.		CHECKED: PJS 03/20/11	SCALE: 6:1
		APPROVED: ND 03/01/86	SHEET 1 OF 1