

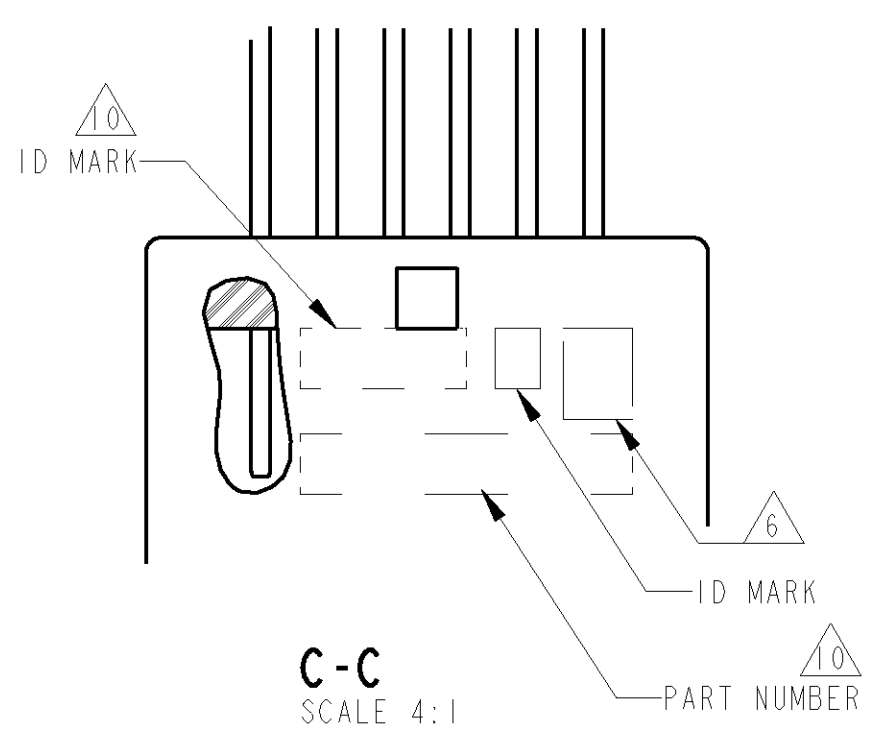
TABLE - 1

POS 種類	PLUG HOUSING PART NO	プラグハウジング 型番
12	1318774	
	1376675	
	1717106	
	1746872	

1. 嵌合相手ハウジングは TABLE -1 参照
 プラグハウジングアッセンブリと互換性よく嵌合すること
 推奨取付トルク: 0.392N・m REF
2. JIS B1115, B1122タップピッチねじ
 5ヶ穴種 種別径3 長さ5はTABLE-2 参照
3. ねじ締め付外トルク (参考値): 0.392N・m REF
4. 測定位置はFIG. 1参照
5. 取扱い説明書 NO: 411-5928
6. コンタクト仕上識別記号: 表参照
7. 測定位置はFIG. 1参照
8. 試作の品質を確保されていない
9. ヒンズアイテム 回路番号はFIG. 1参照
10. ID MARK ,PART NUMBER を表示

TABLE-2

プリント基板板厚 (mm)	THICKNESS OF PCB (mm)	1.2	1.6
取付用ねじの標準長さ (mm) <td>NOMINAL LENGTH OF SCREW (mm)</td> <td>5</td> <td>6</td>	NOMINAL LENGTH OF SCREW (mm)	5	6

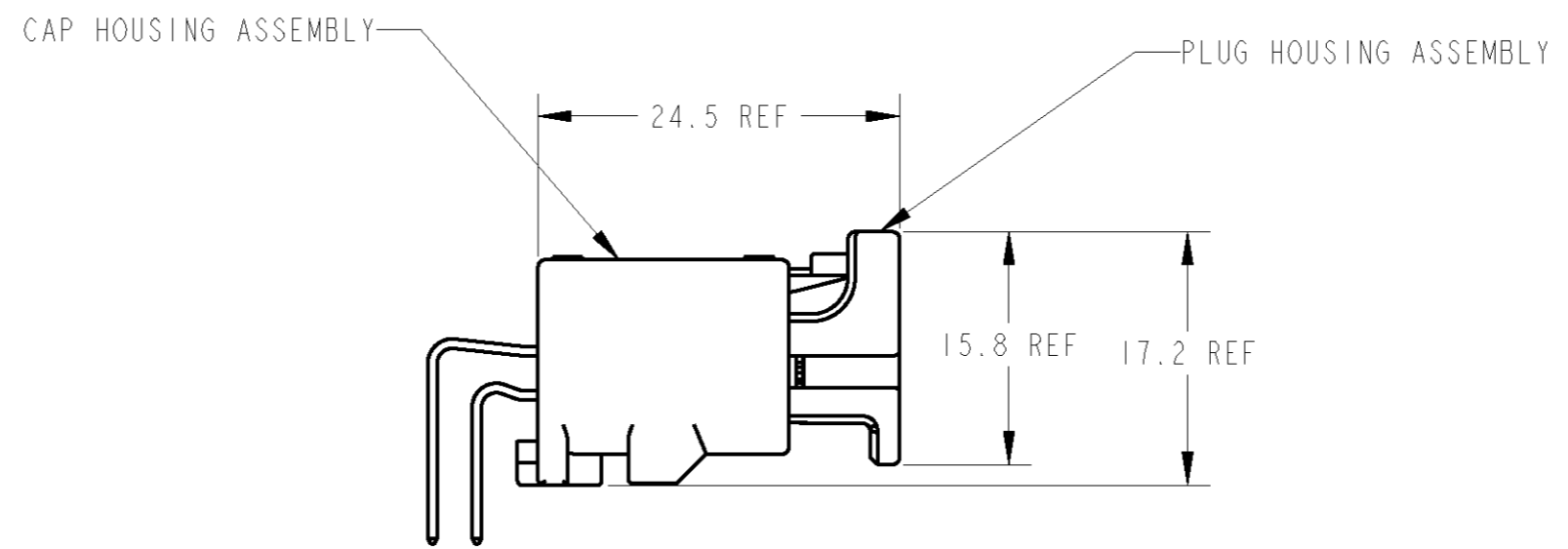
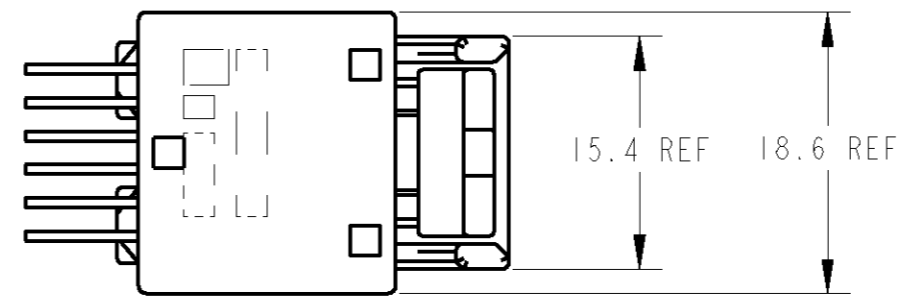


POS	種類	径 (mm)	ハウジング	チューブ	ピン位置	メッキ	鍍金	基板	色	部品番号
12	3.2	Ø 2.63	CARTON BOX	PLASTIC TUBE	1~12	SELECTIVE TIN (MATTE)	SELECTIVE GOLD	SPS GF17	BLACK	2-1318772-4
11	3.7	Ø 2.4	PLASTIC BOX	PLASTIC TUBE	1~9, 11, 12	SELECTIVE TIN (MATTE)	SELECTIVE GOLD	PBT GF15	BLACK	2-1318772-3
10	3.7	Ø 2.4	CARTON BOX	PLASTIC TUBE	1~12	SELECTIVE TIN (MATTE)	SELECTIVE TIN (BRIGHT)	PBT GF15	NATURAL	2-1318772-2
62	3.7	Ø 2.4	CARTON BOX	PLASTIC TUBE	1~12	SELECTIVE TIN (MATTE)	SELECTIVE GOLD	PBT GF15	BLACK	6318772-5
62	3.7	Ø 2.4	PLASTIC BOX	PLASTIC TUBE	1~12	SELECTIVE TIN (MATTE)	SELECTIVE GOLD	PBT GF15	BLACK	6318772-4
62	3.7	Ø 2.4	PLASTIC BOX	PLASTIC TUBE	1~12	SELECTIVE TIN (MATTE)	SELECTIVE GOLD	PBT GF15	NATURAL	6318772-3
10	3.7	Ø 2.4	CARTON BOX	PLASTIC TUBE	1~12	SELECTIVE TIN (MATTE)	SELECTIVE TIN (BRIGHT)	PBT GF15	BLACK	2-1318772-1
10	3.7	Ø 2.4	PLASTIC BOX	PLASTIC TUBE	1~12	SELECTIVE TIN (MATTE)	SELECTIVE TIN (BRIGHT)	PBT GF15	BLACK	2-1318772-0
8	3.2	Ø 2.63	CARTON BOX	PLASTIC TUBE	1~12	SELECTIVE TIN (MATTE)	SELECTIVE GOLD	SPS GF17	NATURAL	1-1318772-9
6	3.2	Ø 2.63	CARTON BOX	PLASTIC TUBE	1~12	SELECTIVE TIN (MATTE)	SELECTIVE TIN (BRIGHT)	SPS GF17	BLACK	1-1318772-8
6	3.2	Ø 2.63	PLASTIC BOX	PLASTIC TUBE	1~12	SELECTIVE TIN (MATTE)	SELECTIVE TIN (BRIGHT)	SPS GF17	BLACK	1-1318772-7
6	3.2	Ø 2.63	PLASTIC BOX	PLASTIC TUBE	1~12	SELECTIVE TIN (MATTE)	SELECTIVE TIN (BRIGHT)	SPS GF17	NATURAL	1-1318772-6
9	3.2	Ø 2.63	PLASTIC BOX	PLASTIC TUBE	1~9, 11, 12	SELECTIVE TIN (MATTE)	SELECTIVE GOLD	SPS GF17	BLACK	1-1318772-5
8	3.2	Ø 2.63	PLASTIC BOX	PLASTIC TUBE	1~12	SELECTIVE TIN (MATTE)	SELECTIVE GOLD	SPS GF17	NATURAL	1-1318772-4
6	3.2	Ø 2.63	CARTON BOX	PLASTIC TUBE	1~12	SELECTIVE TIN (MATTE)	SELECTIVE TIN (BRIGHT)	SPS GF17	NATURAL	1-1318772-3
5	3.7	Ø 2.4	PLASTIC BOX	PLASTIC TUBE	1~9, 11, 12	SELECTIVE TIN	SELECTIVE GOLD	PBT GF15	BLACK	1-1318772-2
4	3.7	Ø 2.4	CARTON BOX	PLASTIC TUBE	1~12	SELECTIVE TIN	SELECTIVE GOLD	PBT GF15	BLACK	1-1318772-0
4	3.7	Ø 2.4	CARTON BOX	PLASTIC TUBE	1~12	SELECTIVE TIN	SELECTIVE GOLD	PBT GF15	NATURAL	1318772-9
3.7	Ø 2.4	CARTON BOX	PLASTIC TUBE	1~12	SELECTIVE TIN	PRE-TIN	PBT GF15	BLACK	1318772-8	
1	3.7	Ø 2.4	PLASTIC BOX	PLASTIC TUBE	1~12	SELECTIVE TIN	PRE-TIN	PBT GF15	BLACK	1318772-7
2	3.7	Ø 2.4	CARTON BOX	PLASTIC TUBE	1~12	TIN-LEAD	SELECTIVE GOLD	PBT GF15	NATURAL	1318772-6
2	3.7	Ø 2.4	CARTON BOX	PLASTIC TUBE	1~12	TIN-LEAD	SELECTIVE GOLD	PBT GF15	BLACK	1318772-5
2	3.7	Ø 2.4	PLASTIC BOX	PLASTIC TUBE	1~12	TIN-LEAD	SELECTIVE GOLD	PBT GF15	BLACK	1318772-4
2	3.7	Ø 2.4	PLASTIC BOX	PLASTIC TUBE	1~12	TIN-LEAD	SELECTIVE GOLD	PBT GF15	NATURAL	1318772-3
1	3.7	Ø 2.4	CARTON BOX	PLASTIC TUBE	1~12	PRE-TIN	PBT GF15	NATURAL	1318772-2	
1	3.7	Ø 2.4	PLASTIC BOX	PLASTIC TUBE	1~12	PRE-TIN	PBT GF15	NATURAL	1318772-1	
MARKING	WEIGHT (g)	v	PACKING STYLE	CIRCUIT NO.	CONTACT FINISH	HOUSING MATERIAL	COLOR	PART NUMBER		
			外形形状	回路番号	コンタクト仕上	ハウジング	色	部品番号		

DIMENSIONS: min	TOLERANCES UNLESS OTHERWISE SPECIFIED: 0.3	DATE: 07FEB00	DRW: T. NOGUCHI
MATERIAL: CONTACT: BRASS HOUSING: SEE TABLE	FINISH: SEE TABLE	DATE: 07FEB00	DRW: S. SHINDOU
STE TE Connectivity		NAME: 025 SERIES 12 POSITION (PCB H-TYPE) CAP HOUSING ASSEMBLY	
PRODUCT SPEC: 108-5668		SIZE: 2.1	
APPLICATION SPEC: 114-5250		SHEET: 1 OF 2	
WEIGHT: SEE TABLE		REV: H1	

THIS DRAWING IS UNPUBLISHED. RELEASED FOR PUBLICATION
 © COPYRIGHT BY ALL RIGHTS RESERVED.

LOC	DIST	REVISIONS 変更						
J		P	LTR	DESCRIPTION	ECN	DATE	DWN	APVD
				SEE 1 OF 2				



CAP ASSEMBLY & PLUG ASSEMBLY ENGAGEMENT DRAWING
 キャップアッセンブリ & プラグアッセンブリ 嵌合図

DIMENSIONS: 単位: 丸 mm 		TOLERANCES UNLESS OTHERWISE SPECIFIED: 一般公差 一般公差 ± 0.3 $\pm 3^\circ$		DWN Y. NOGUCHI 07FEB00 CHK S. SHINDOU 07FEB00 APVD N. SAI 07FEB00 PRODUCT SPEC 製品規格 SEE 1 OF 2 APPLICATION SPEC 取付適用規格 SEE 1 OF 2 WEIGHT SEE 1 OF 2		STE TE Connectivity NAME 名称 025 SERIES 12 POSITION(PCB H-TYP) CAP HOUSING ASSEMBLY			RESTRICTED TO -	
MATERIAL 材料 SEE 1 OF 2		FINISH 仕上 SEE 1 OF 2		WEIGHT SEE 1 OF 2		SIZE A3	CAGE CODE 00779	DRAWING NO 番号 C=1318772		
CUSTOMER DRAWING							SCALE 尺度 2:1	SHEET 2	OF 2	REV H1