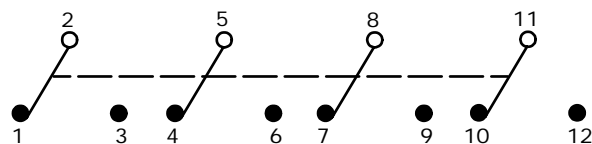


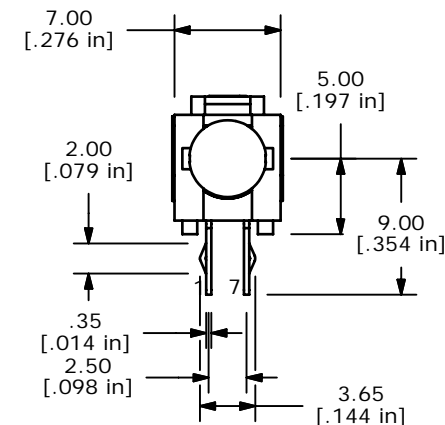
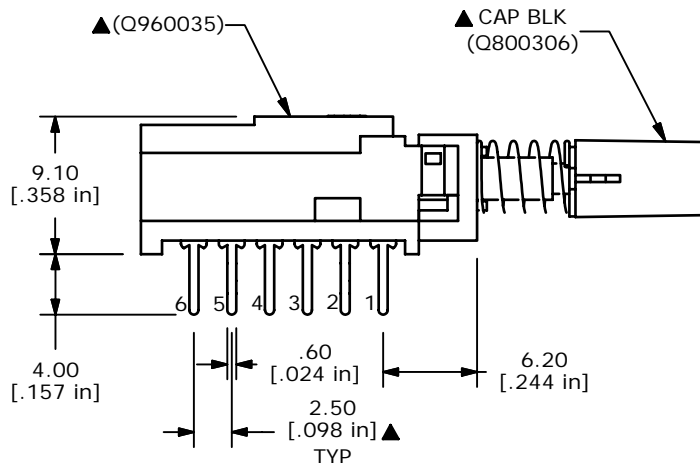
ISOMETRIC



CIRCUIT: 4PDT

NOTES:

1. ALL DIMENSIONS IN MM [INCH]
2. GENERAL TOLERANCE: X.X=±0.4
X.XX=±0.25
3. TERM. NOS. FOR REFERENCE ONLY.
4. RATING 0.1A @30V DC
- ▲ 5. MATERIALS:
CONTACT/TERMINALS: SILVER PLATE
HOUSING: PBT UL94V0
BASE: PA66 UL94V0
ACTUATOR: PA66 UL94V0
6. CONTACT RESISTANCE: 100 MILLI-OHM (INITIAL)
7. TIMING: NON-SHORTING
8. OPERATING FORCE: 280± 50GF
- ▲ 9. TRAVEL: LATCHING
2MM TO LOCK
3MM OVERALL
10. ELECTRICAL LIFE: 10000 CYCLES
11. OPERATING TEMP: -20°C TO +70°C
12. ▲ DENOTES CRITICAL PARAMETER.
13. 2002/95/EC (ROHS) COMPLIANT



TITLE PBH4UEESNPAGV1RBLK

A	17461	RELEASED FOR PRODUCTION	7/19/07	BF
REV	PCR NO	DESCRIPTION	DATE	BY

THE INFORMATION CONTAINED IN THIS DOCUMENT IS PROPRIETARY TO E-SWITCH AND IS NOT TO BE COPIED OR TRANSFERRED

SCALE	DATE	DR	DWG	REV
2:1	7/19/2007	BF	XQ0033P	A