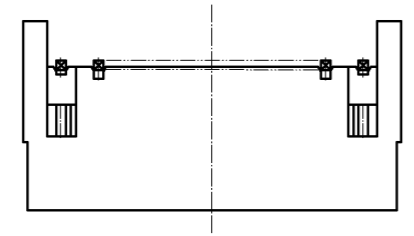
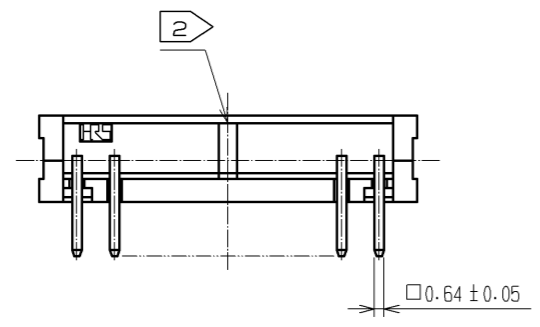
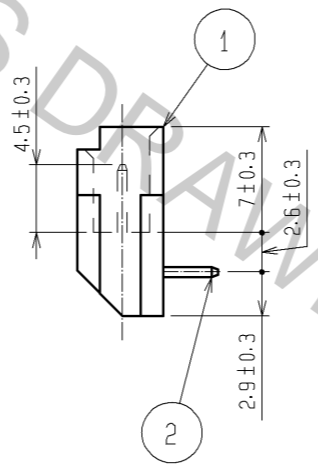
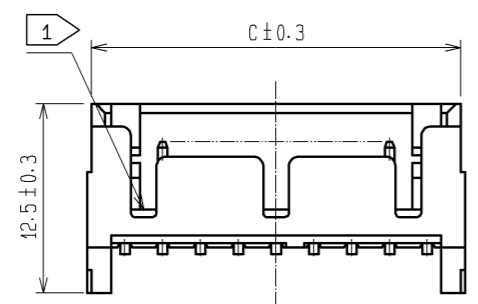
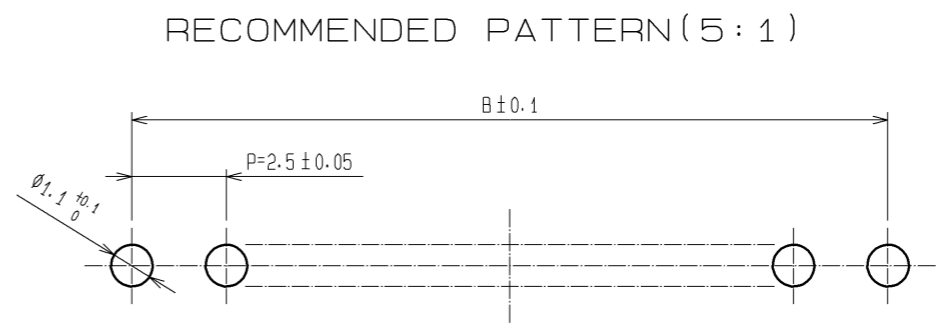
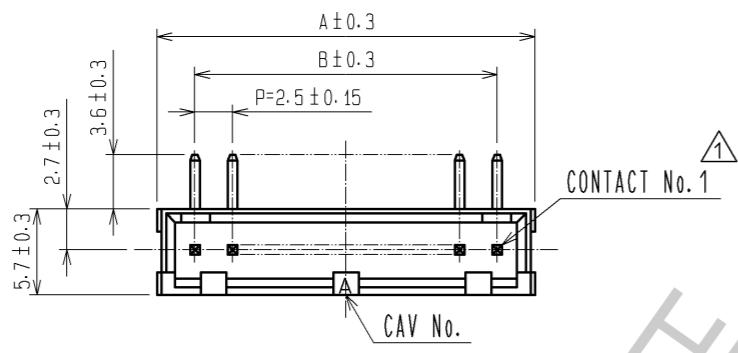


Apr.1.2017 Copyright 2017 HIROSE ELECTRIC CO., LTD. All Rights Reserved.



| CODE NO. | PART NO. | CONTACT | A | B | C |
|-----------------|-----------------|---------|------|------|------|
| CL541-2034-0-00 | DF1BZ- 2P-2.5DS | 2 | 7.5 | 2.5 | 6.9 |
| CL541-2035-2-00 | DF1BZ- 3P-2.5DS | 3 | 10.0 | 5.0 | 9.4 |
| CL541-2036-5-00 | DF1BZ- 4P-2.5DS | 4 | 12.5 | 7.5 | 11.9 |
| CL541-2037-8-00 | DF1BZ- 5P-2.5DS | 5 | 15.0 | 10.0 | 14.4 |
| CL541-2038-0-00 | DF1BZ- 6P-2.5DS | 6 | 17.5 | 12.5 | 16.9 |
| CL541-2039-3-00 | DF1BZ- 7P-2.5DS | 7 | 20.0 | 15.0 | 19.4 |
| CL541-2040-2-00 | DF1BZ- 8P-2.5DS | 8 | 22.5 | 17.5 | 21.9 |
| CL541-2041-5-00 | DF1BZ- 9P-2.5DS | 9 | 25.0 | 20.0 | 24.4 |
| CL541-2042-8-00 | DF1BZ-10P-2.5DS | 10 | 27.5 | 22.5 | 26.9 |
| CL541-2043-0-00 | DF1BZ-11P-2.5DS | 11 | 30.0 | 25.0 | 29.4 |
| CL541-2044-3-00 | DF1BZ-12P-2.5DS | 12 | 32.5 | 27.5 | 31.9 |
| CL541-2045-6-00 | DF1BZ-13P-2.5DS | 13 | 35.0 | 30.0 | 34.4 |
| CL541-2046-9-00 | DF1BZ-14P-2.5DS | 14 | 37.5 | 32.5 | 36.9 |
| CL541-2047-1-00 | DF1BZ-15P-2.5DS | 15 | 40.0 | 35.0 | 39.4 |
| CL541-2048-4-00 | DF1BZ-16P-2.5DS | 16 | 42.5 | 37.5 | 41.9 |
| CL541-2049-7-00 | DF1BZ-18P-2.5DS | 18 | 47.5 | 42.5 | 46.9 |
| CL541-2050-6-00 | DF1BZ-20P-2.5DS | 20 | 52.5 | 47.5 | 51.9 |

NOTES ①: FOR 2 AND 3 CONTACTS, ONE MIS-INSERTION DEPRESSION SHALL BE MADE, AND 4 TO 7 CONTACTS IS 2 MIS-INSERTION DEPRESSION TO BOTH ENDS, FOR OTHER, 3 MIS-INSERTION DEPRESSION AS PER DRAWING.
 ②: WHEN THE NUMBERS OF CONTACTS IS ODD, THE STAND-OFF SHIFTS 1.25 RIGHTWARD. (STAND-OFF AVAILABLE FROM 5 POSITIONS UP.)

| | | | | | |
|--------------------------------------|-----------|----------------------------------|-------------------------------|--|---|
| 1 | POLYAMIDE | UL94V-0, NATURAL(WHITE) | 2 | BRASS | SURFACE:TIN PLATED 1μm min UNDER PLATING:NICKEL PLATED 0.5μm min |
| NO. | MATERIAL | FINISH, REMARKS | NO. | MATERIAL | FINISH, REMARKS |
| UNITS mm | | SCALE 5 : 1 | COUNT 1 | DESCRIPTION OF REVISIONS DIS-H-002720 | DESIGNED YK. NAKATSU |
| HRS HIROSE ELECTRIC CO., LTD. | | APPROVED : KJ. KATAYOSE 05.01.05 | DESIGNED : TY. OMA 05.01.05 | DESIGNED : TS. KUMAZAWA 05.01.05 | DATE 08.01.15 |
| | | CHECKED : TS. KUMAZAWA 05.01.05 | DRAWN : TS. KUMAZAWA 05.01.05 | DRAWING NO. EDC3-305814-01 | |
| | | | | PART NO. DF1BZ-*P-2.5DS | |
| | | | | CODE NO. CL541- | |